

ARRL Handbook CD

Template File

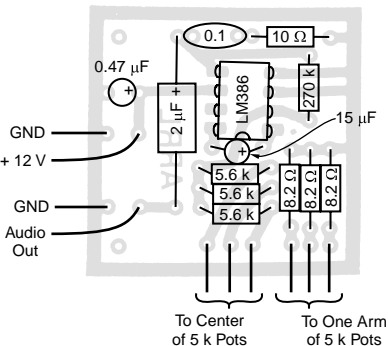
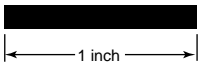
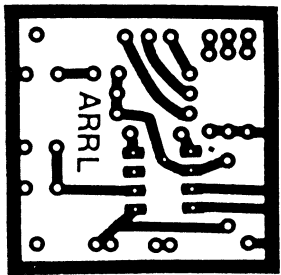
Title: Headphone Mixer

Chapter: 22

Topic: An Expandable Headphone Mixer

Template contains:

PC board etching pattern and parts placement diagram.



Expandable Headphone Mixer,
Chapter 22