

ARRL Handbook CD

Template File

Title: N6CA TR Time-Delay Generator

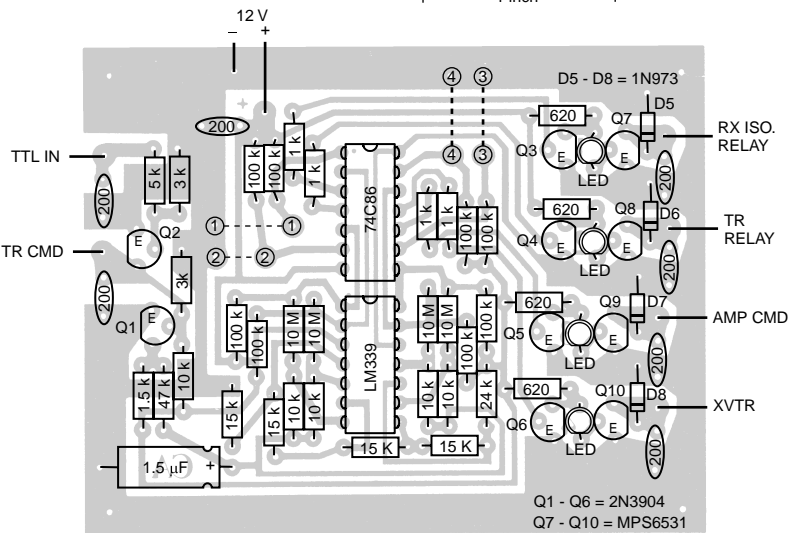
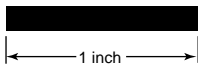
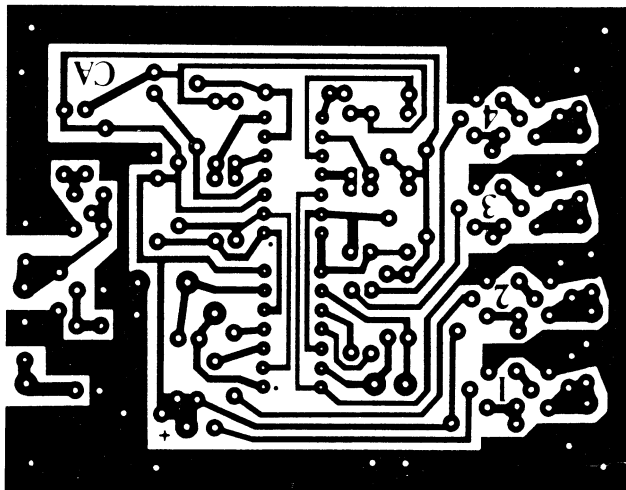
Chapter: 22

Topic: TR Time-Delay Generator

Template contains:

PC board etching pattern.

Parts placement diagram.



TR Time-Delay Generator, Chapter 22