

## ARRL Handbook CD

### Template File

**Title:** L-Band Satellite Antenna/Amplifier  
**Chapter:** 23  
**Topic:** An Integrated L-Band Satellite Antenna and Amplifier

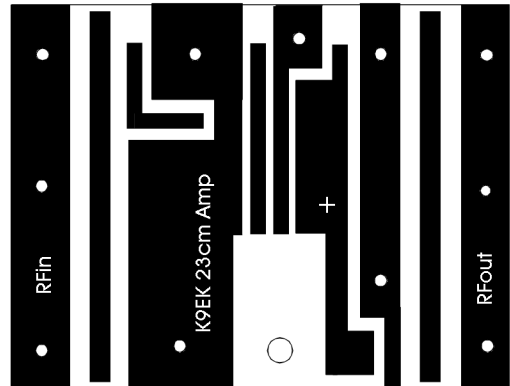
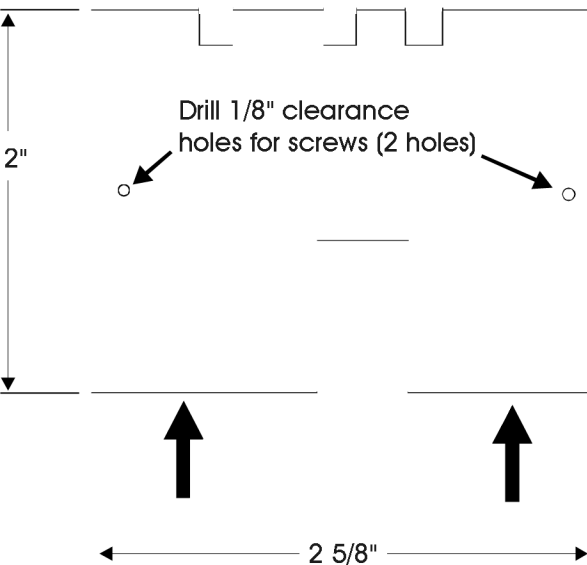
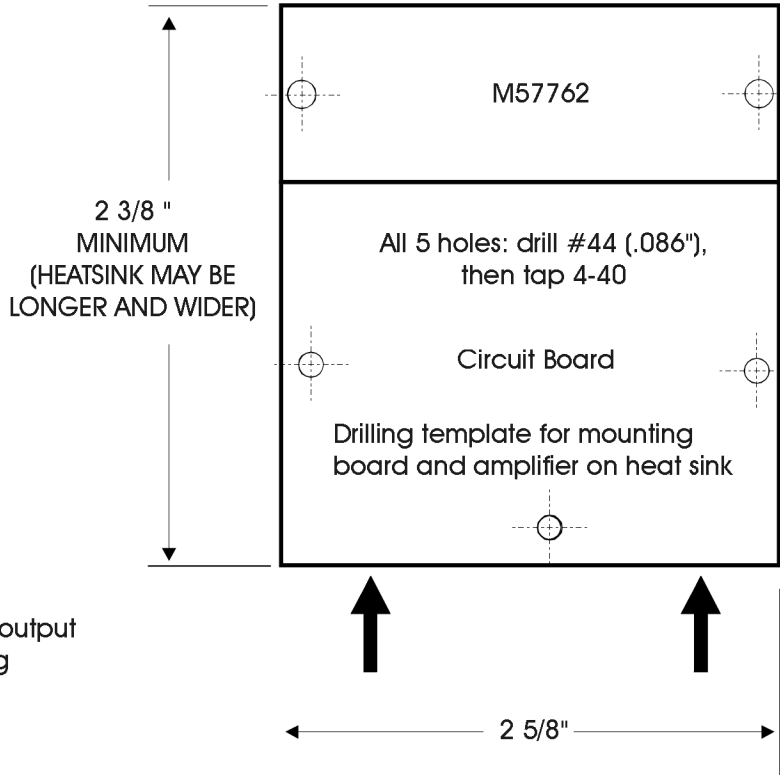
Template contains:

Cutout and drilling templates

Component placement diagrams

PC board etching templates

# 23cm 10 WATT AMPLIFIER USING M57762 HYBRID MODULE CUTOUT AND DRILLING TEMPLATES



All other marked holes in circuit board are for through-board connections (rivets, Z-wires, etc.)

Circuit Board Cutout template  
Use double-sided G10 .062" thick

ED KROME K9EK  
23AMP\_B2.CDR  
March 1998

# 23cm 10 WATT RF AMPLIFIER USING M57762 HYBRID MODULE COMPONENT PLACEMENT

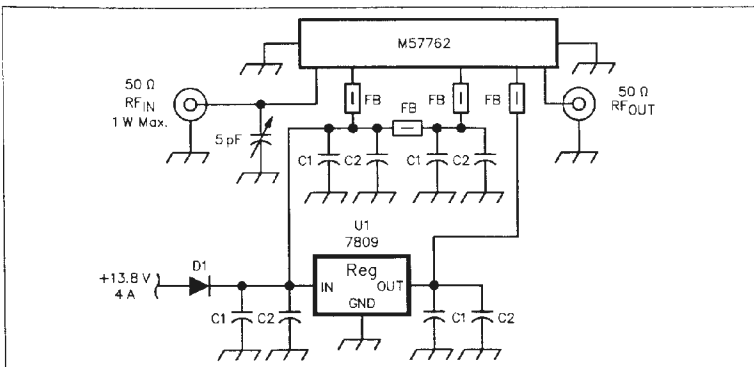
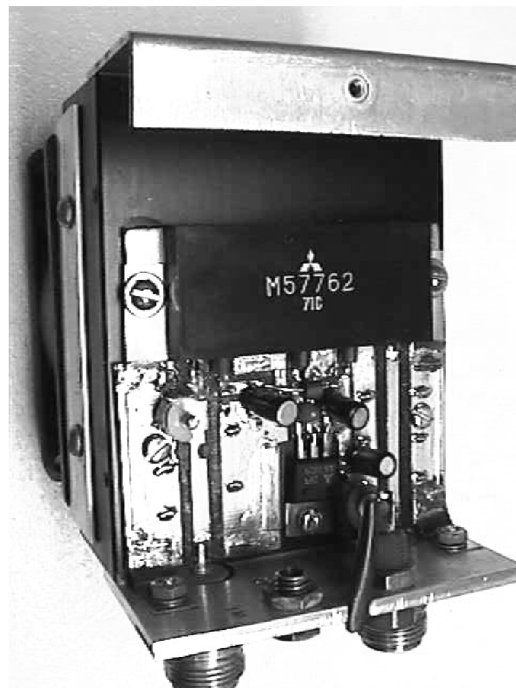
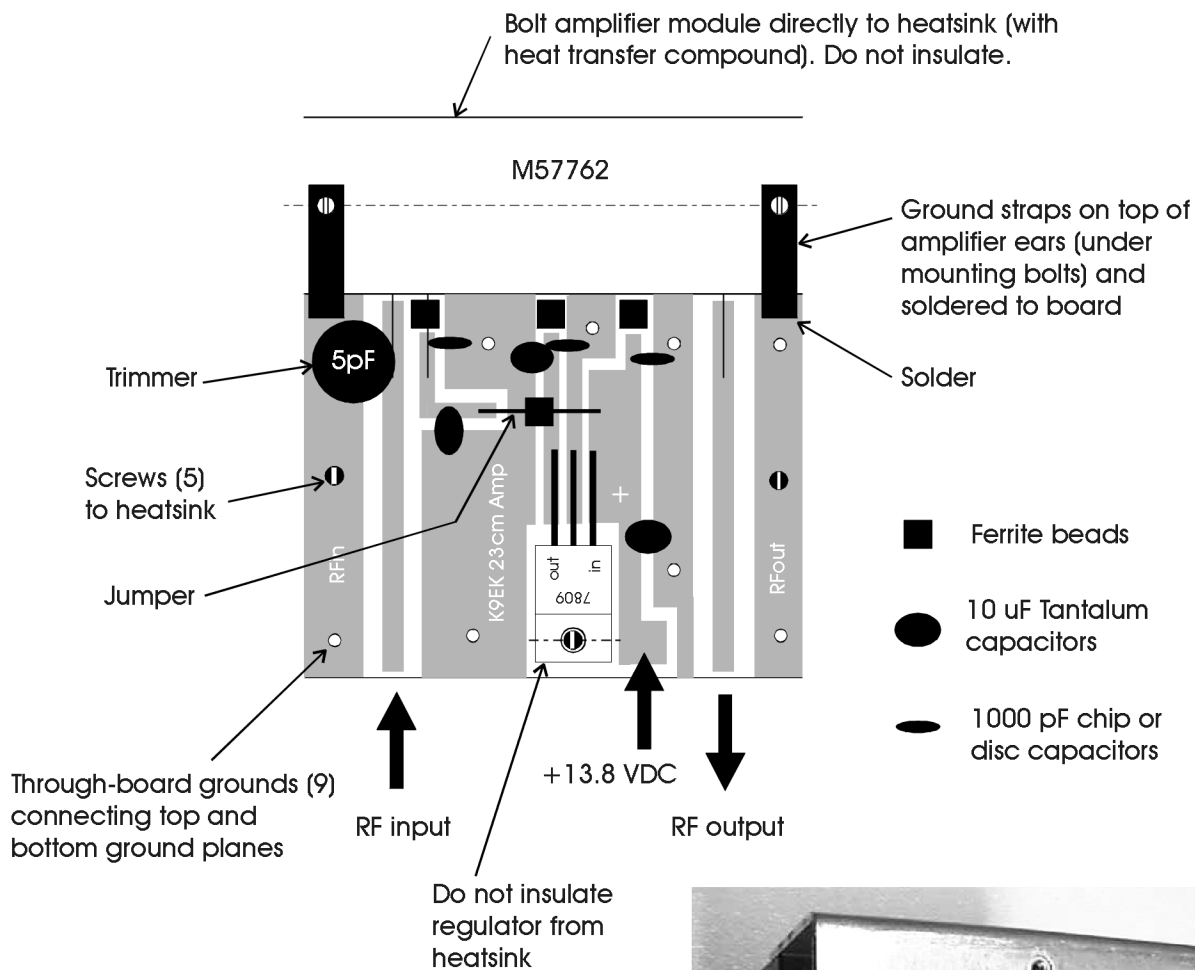
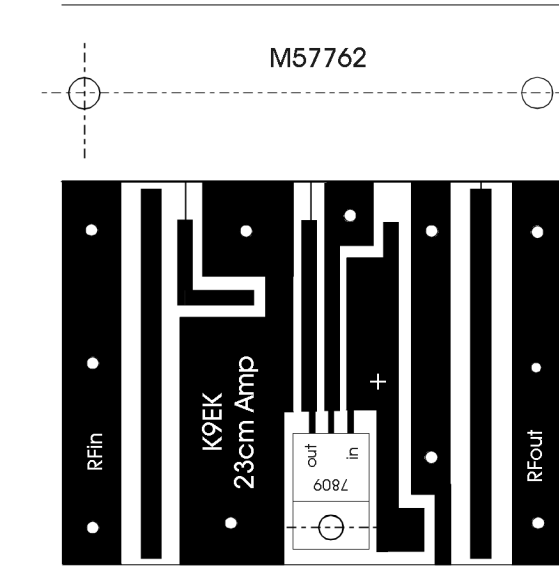
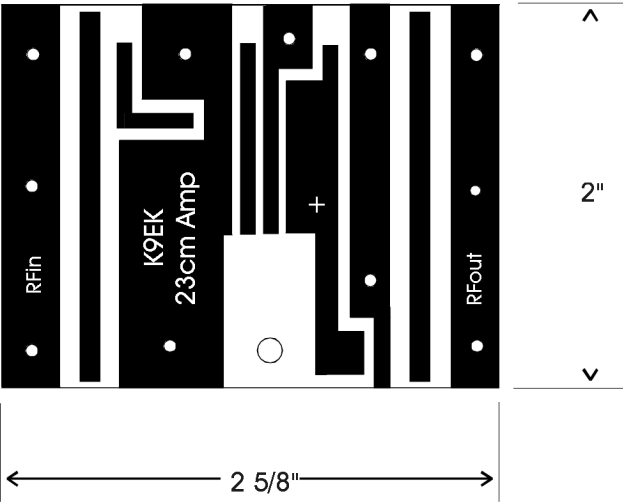
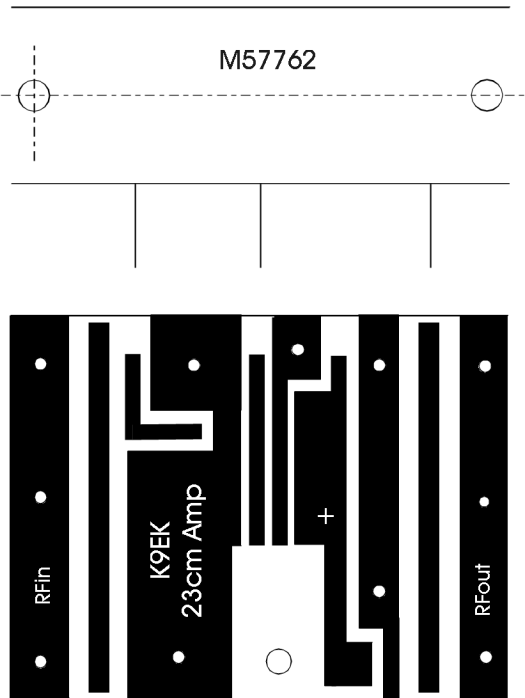
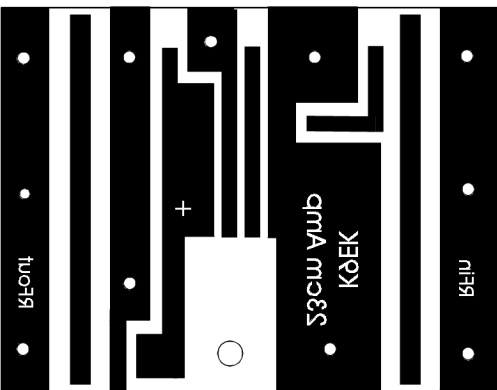


Fig 23.62A—Just a handful of parts are needed to connect the brick amplifier module. All capacitor pairs are 10  $\mu$ F/35 V chip or tantalum units in parallel with 1000 pF chip capacitors. D1 is a 4-A (minimum), 50-V power rectifier such as Digi-Key GI820CT-ND. It prevents damage due to reverse connection of the power leads. U1 is a 7809 voltage regulator (9-V, 1-A). Check RF Parts and Down East Microwave (see the Chapter 30 Address List) for pricing and availability of the amplifier module.

# 23cm 10 WATT RF AMPLIFIER USING M57762 HYBRID MODULE CIRCUIT BOARD ETCHING TEMPLATES



Circuit board etching patterns:  
direct and mirror image



ED KROME K9EK

23AMP\_BD.CDR

March 1998

