

Contents

- 10.1 The Mechanism of Mixers and Mixing
 - 10.1.1 What is a Mixer?
 - 10.1.2 Putting Multiplication to Work
- 10.2 Mixers and Amplitude Modulation
 - 10.2.1 Overmodulation
 - 10.2.2 Using AM to Send Morse Code
 - 10.2.3 The Many Faces of Amplitude Modulation
 - 10.2.4 Mixers and AM Demodulation
- 10.3 Mixers and Angle Modulation
 - 10.3.1 Angle Modulation Sidebands
 - 10.3.2 Angle Modulators
 - 10.3.3 Mixers and Angle Demodulation
- 10.4 Putting Mixers, Modulators and Demodulators to Work
 - 10.4.1 Dynamic Range: Compression, Intermodulation and More
 - 10.4.2 Intercept Point
- 10.5 A Survey of Common Mixer Types
 - 10.5.1 Gain-Controlled Analog Amplifiers As Mixers
 - 10.5.2 Switching Mixers
 - 10.5.3 The Diode Double-Balanced Mixer: A Basic Building Block
 - 10.5.4 Active Mixers — Transistors as Switching Elements
 - 10.5.5 The Tayloe Mixer
 - 10.5.6 The NE602/SA602/SA612: A Popular Gilbert Cell Mixer
 - 10.5.7 An MC-1496P Balanced Modulator
 - 10.5.8 An Experimental High-Performance Mixer
- 10.6 References and Bibliography

Mixers, Modulators and Demodulators

At base, radio communication involves translating information into radio form, letting it travel for a time as a radio signal, and translating it back again. Translating information into radio form entails the process we call modulation, and demodulation is its reverse. One way or another, every transmitter used for radio communication, from the simplest to the most complex, includes a means of modulation; one way or another, every receiver used for radio communication, from the simplest to the most complex, includes a means of demodulation.

Modulation involves varying one or both of a radio signal's basic characteristics — amplitude and frequency (or phase) — to convey information. A circuit, stage or piece of hardware that modulates is called a modulator.

Demodulation involves reconstructing the transmitted information from the changing characteristic(s) of a modulated radio wave. A circuit, stage or piece of hardware that demodulates is called a demodulator.

Many radio transmitters, receivers and transceivers also contain mixers — circuits, stages or pieces of hardware that combine two or more signals to produce additional signals at sums of and differences between the original frequencies.

This chapter, by David Newkirk, W9VES, and Rick Karlquist, N6RK, examines mixers, modulators and demodulators. Related information may be found in the **Modulation** chapter, and in the chapters on **Receivers** and **Transmitters**. Quadrature modulation implemented with an I/Q modulator, one that uses in-phase (I) and quadrature (Q) modulating signals to generate the 0° and 90° components of the RF signal, is covered in the chapters on **Modulation** and **DSP and Software Radio Design**.

Amateur Radio textbooks have traditionally handled mixers separately from modulators and demodulators, and modulators separately from demodulators. This chapter examines mixers, modulators and demodulators together because the job they do is essentially the same. Modulators and demodulators translate information into radio form and back again; mixers translate one frequency to others and back again. All of these translation processes can be thought of as forms of frequency translation or frequency shifting — the function traditionally ascribed to mixers. We'll therefore begin our investigation by examining what a mixer is (and isn't), and what a mixer does.

10.1 The Mechanism of Mixers and Mixing

10.1.1 What is a Mixer?

Mixer is a traditional radio term for a circuit that shifts one signal's frequency up or down by combining it with another signal. The word *mixer* is also used to refer to a device used to blend multiple audio inputs together for recording, broadcast or sound reinforcement. These two mixer types differ in one very important way: A radio mixer makes new frequencies out of the frequencies put into it, and an audio mixer does not.

MIXING VERSUS ADDING

Radio mixers might be more accurately called “frequency mixers” to distinguish them from devices such as “microphone mixers,” which are really just signal *combiners*, *summers* or *adders*. In their most basic, ideal forms, both devices have two inputs and one output. The combiner simply *adds* the instantaneous voltages of the two signals together to produce the output at each point in time (**Fig 10.1**). The mixer, on the other hand, *multiplies* the instantaneous voltages of the two signals together to produce its output signal from instant to instant (**Fig 10.2**). Comparing the output spectra of the combiner and mixer, we see that the combiner's output contains only the frequencies of the two inputs, and nothing else, while the mixer's output contains *new* frequencies. Because it combines one energy with another, this process is sometimes called *heterodyning*, from the Greek words for *other* and *power*. The sidebar, “Mixer Math: Mixing as Multiplication,” describes this process mathematically.

The key principle of a radio mixer is that in mixing multiple signal voltages together, *it adds and subtracts their frequencies to produce new frequencies*. (In the field of signal processing, this process, *multiplication in the time domain*, is recognized as equivalent to the process of *convolution in the frequency domain*. Those interested in this alternative approach to describing the generation of new frequencies through mixing can find more information about it in the many textbooks available on this subject.)

The difference between the mixer we've been describing and any mixer, modulator or demodulator that you'll ever use is that it's ideal. We put in two signals and got just two signals out. *Real* mixers, modulators and demodulators, on the other hand, also produce *distortion* products that make their output spectra “dirtier” or “less clean,” as well as putting out some energy at input-signal frequencies and their harmonics. Much of the art and science of making good use of multiplication in mixing, modulation and demodulation goes

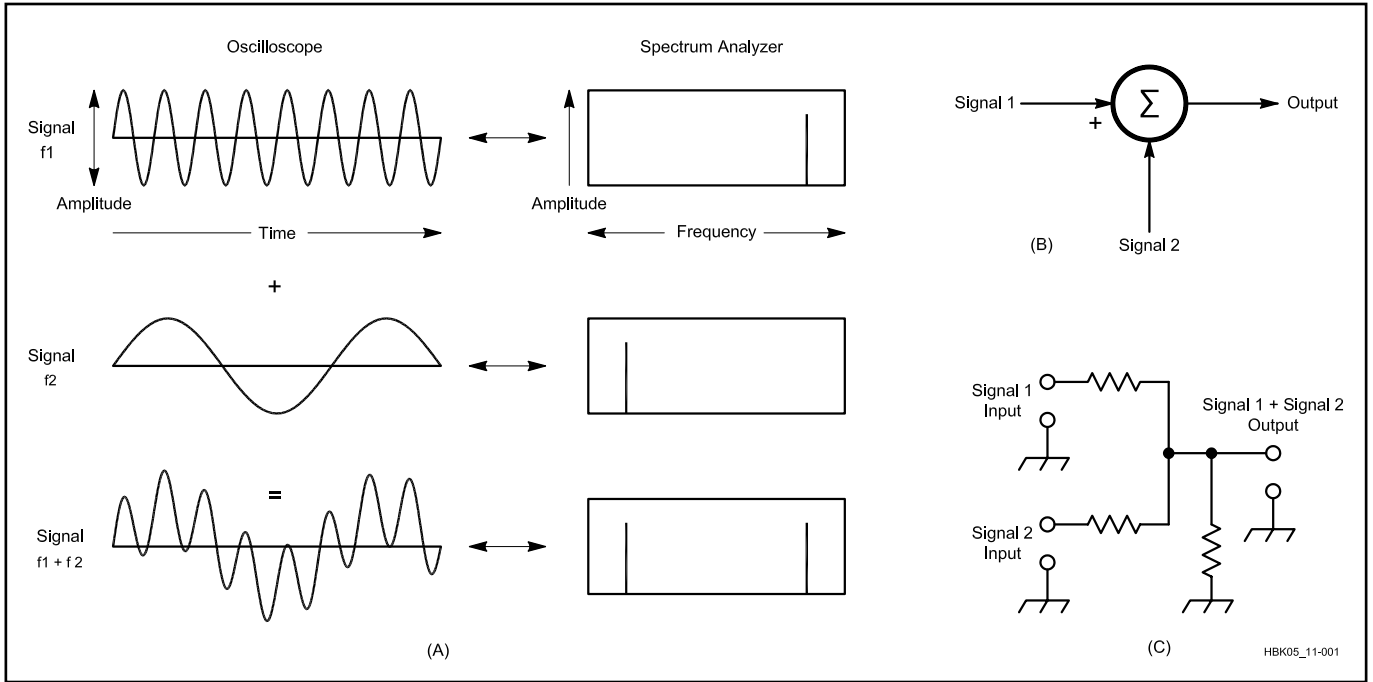


Fig 10.1 — Adding or summing two sine waves of different frequencies (f_1 and f_2) combines their amplitudes without affecting their frequencies. Viewed with an *oscilloscope* (a real-time graph of amplitude versus time), adding two signals appears as a simple superimposition of one signal on the other. Viewed with a *spectrum analyzer* (a real-time graph of signal amplitude versus frequency), adding two signals just sums their spectra. The signals merely coexist on a single cable or wire. All frequencies that go into the adder come out of the adder, and no new signals are generated. Drawing B, a block diagram of a summing circuit, emphasizes the stage's mathematical operation rather than showing circuit components. Drawing C shows a simple summing circuit, such as might be used to combine signals from two microphones. In audio work, a circuit like this is often called a mixer — but it does not perform the same function as an RF mixer.

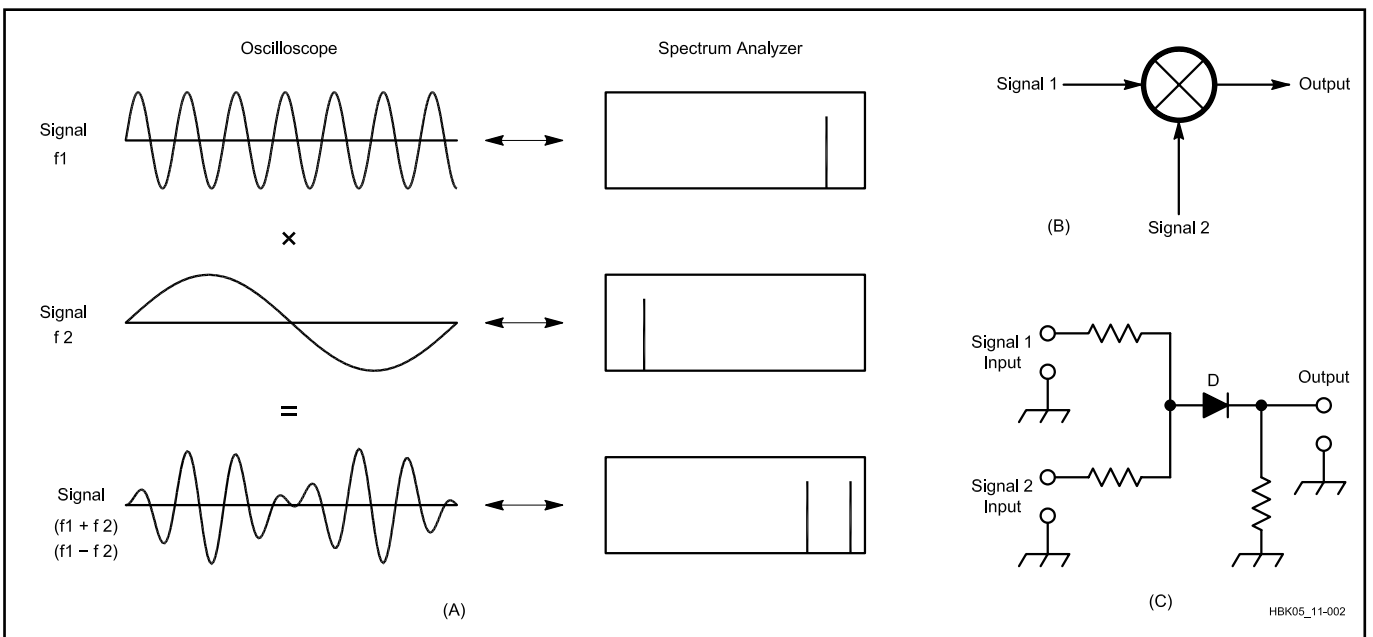


Fig 10.2 — Multiplying two sine waves of different frequencies produces a new output spectrum. Viewed with an oscilloscope, the result of multiplying two signals is a composite wave that seems to have little in common with its components. A spectrum-analyzer view of the same wave reveals why: The original signals disappear entirely and are replaced by two new signals — at the *sum* and *difference* of the original signals' frequencies. Drawing B diagrams a multiplier, known in radio work as a mixer. The \times emphasizes the stage's mathematical operation. (The circled \times is only one of several symbols you may see used to represent mixers in block diagrams, as Fig 10.3 explains.) Drawing C shows a very simple multiplier circuit. The diode, D , does the mixing. Because this circuit does other mathematical functions and adds them to the sum and difference products, its output is more complex than $f_1 + f_2$ and $f_1 - f_2$, but these can be extracted from the output by filtering.

Mixer Math: Mixing as Multiplication

Since a mixer works by means of multiplication, a bit of math can show us how they work. To begin with, we need to represent the two signals we'll mix, A and B, mathematically. Signal A's instantaneous amplitude equals

$$A_a \sin 2\pi f_a t \quad (1)$$

in which A is peak amplitude, f is frequency, and t is time. Likewise, B's instantaneous amplitude equals

$$A_b \sin 2\pi f_b t \quad (2)$$

Since our goal is to show that multiplying two signals generates sum and difference frequencies, we can simplify these signal definitions by assuming that the peak amplitude of each is 1. The equation for Signal A then becomes

$$a(t) = A \sin (2\pi f_a t) \quad (3)$$

and the equation for Signal B becomes

$$b(t) = B \sin (2\pi f_b t) \quad (4)$$

Each of these equations represents a sine wave and includes a subscript letter to help us keep track of where the signals go.

Merely combining Signal A and Signal B by letting them travel on the same wire develops nothing new:

$$a(t) + b(t) = A \sin (2\pi f_a t) + B \sin (2\pi f_b t) \quad (5)$$

As simple as equation 5 may seem, we include it to highlight the fact that multiplying two signals is a quite different story. From trigonometry, we know that multiplying the sines of two variables can be expanded according to the relationship

$$\sin x \sin y = \frac{1}{2} [\cos (x - y) - \cos (x + y)] \quad (6)$$

Conveniently, Signals A and B are both sinusoidal, so we can use equation 6 to determine what happens when we multiply Signal A by Signal B. In our case, $x = 2\pi f_a t$ and $y = 2\pi f_b t$, so plugging them into equation 6 gives us

$$a(t) \times b(t) = \frac{AB}{2} \cos (2\pi [f_a - f_b] t) - \frac{AB}{2} \cos (2\pi [f_a + f_b] t) \quad (7)$$

Now we see two momentous results: a sine wave at the frequency *difference* between Signal A and Signal B $2\pi(f_a - f_b)t$, and a sine wave at the frequency *sum* of Signal A and Signal B $2\pi(f_a + f_b)t$. (The products are cosine waves, but since equivalent sine and cosine waves differ only by a phase shift of 90° , both are called *sine waves* by convention.)

This is the basic process by which we translate information into radio form and translate it back again. If we want to transmit a 1-kHz audio tone by radio, we can feed it into one of our mixer's inputs and feed an RF signal — say, 5995 kHz — into the mixer's other input. The result is two radio signals: one at 5994 kHz ($5995 - 1$) and another at 5996 kHz ($5995 + 1$). We have achieved modulation.

Converting these two radio signals back to audio is just as straightforward. All we do is feed them into one input of another mixer, and feed a 5995-kHz signal into the mixer's other input. Result: a 1-kHz tone. We have achieved demodulation; we have communicated by radio.

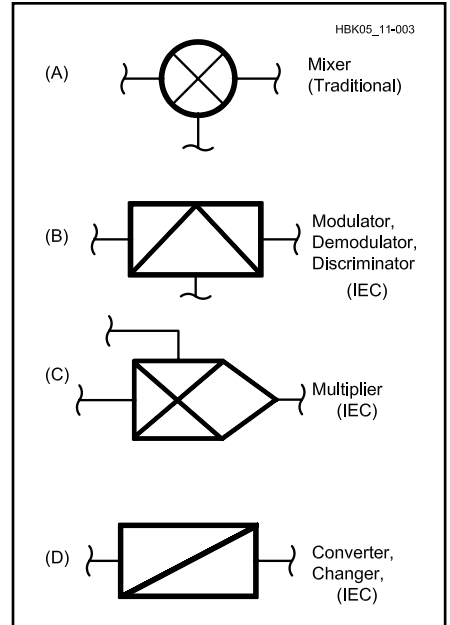


Fig 10.3 — We commonly symbolize mixers with a circled X (A) out of tradition, but other standards sometimes prevail (B, C and D). Although the converter/changer symbol (D) can conceivably be used to indicate frequency changing through mixing, the three-terminal symbols are arguably better for this job because they convey the idea of two signal sources resulting in a new frequency. (IEC stands for *International Electrotechnical Commission*.)

how to get rid of it in a *balanced modulator*?" A transmitter enthusiast may ask "Why didn't you mention *sidebands* and how we conserve spectrum space and power by getting rid of one and putting all of our power into the other?" A student of radio receivers, on the other hand, expects any discussion of the same underlying multiplication issues to touch on the topics of *LO feedthrough*, *mixer balance* (*single* or *double*?), *image rejection* and so on.

You likely expect this book to spend some time talking to you about these things, so it will. But *this* radio-amateur-oriented discussion of mixers, modulators and demodulators will take a look at their common underlying mechanism *before* turning you loose on practical mixer, modulator and demodulator circuits. Then you'll be able to tell the forest from the trees. **Fig 10.3** shows the block symbol for a traditional mixer along with several IEC symbols for other functions mixers may perform.

It turns out that the mechanism underlying multiplication, mixing, modulation and demodulation is a pretty straightforward thing: Any circuit structure that *nonlinearly distorts* ac waveforms acts as a multiplier to some degree.

into minimizing these unwanted multiplication products (or their effects) and making multipliers do their frequency translations as efficiently as possible.

10.1.2 Putting Multiplication to Work

Piecing together a coherent picture of how multiplication works in radio communica-

tion isn't made any easier by the fact that traditional terms applied to a given multiplication approach and its products may vary with their application. If, for instance, you're familiar with standard textbook approaches to mixers, modulators and demodulators, you may be wondering why we didn't begin by working out the math involved by examining *amplitude modulation*, also known as *AM*. "Why not tell them about the *carrier* and

NONLINEAR DISTORTION?

The phrase *nonlinear distortion* sounds redundant, but isn't. Distortion, an externally imposed change in a waveform, can be linear; that is, it can occur independently of signal amplitude. Consider a radio receiver front-end filter that passes only signals between 6 and 8 MHz. It does this by *linearly distorting* the single complex waveform corresponding to the wide RF spectrum present at the radio's antenna terminals, reducing the amplitudes of frequency components below 6 MHz and above 8 MHz relative to those between 6 and 8 MHz. (Considering multiple signals on a wire as one complex waveform is just as valid, and sometimes handier, than considering them as separate signals. In this case, it's a bit easier to think of distortion as something that happens to a waveform rather than something that happens to separate signals relative to each other. It would be just as valid — and certainly more in keeping with the consensus view — to say merely that the filter attenuates signals at frequencies below 6 MHz and above 8 MHz.) The filter's output waveform certainly differs from its input waveform; the waveform has been distorted. But because this distortion occurs independently of signal level or polarity, the distortion is linear. No new frequency components are created; only the amplitude relationships among the wave's existing frequency components are altered. This is *amplitude* or *frequency* distortion, and all filters do it or they wouldn't be filters.

Phase or *delay distortion*, also linear, causes a complex signal's various component frequencies to be delayed by different amounts of time, depending on their frequency but independently of their amplitude. No new frequency components occur, and amplitude relationships among existing frequency components are not altered. Phase distortion occurs to some degree in all real filters.

The waveform of a non-sinusoidal signal can be changed by passing it through a circuit that has only linear distortion, but only *non-linear distortion* can change the waveform of a simple sine wave. It can also produce an output signal whose output waveform changes as a function of the input amplitude, something not possible with linear distortion. Nonlinear circuits often distort excessively with overly strong signals, but the distortion can be a complex function of the input level.

Nonlinear distortion may take the form of *harmonic distortion*, in which integer multiples of input frequencies occur, or *intermodulation distortion (IMD)*, in which different components multiply to make new ones.

Any departure from absolute linearity results in some form of nonlinear distortion, and this distortion can work for us or against us. Any amplifier, including a so-called linear amplifier, distorts nonlinearly to some degree; any device or circuit that distorts

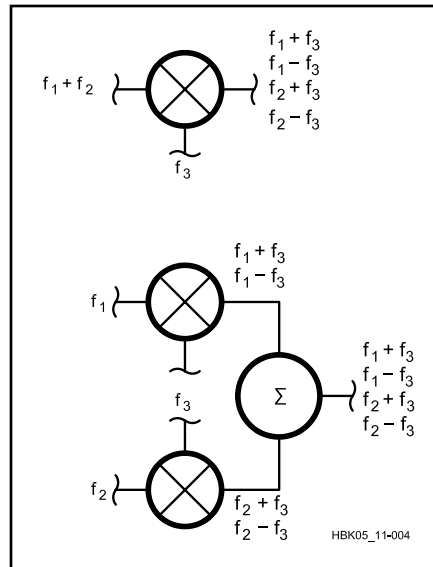


Fig 10.4 — Feeding two signals into one input of a mixer results in the same output as if f_1 and f_2 are each first mixed with f_3 in two separate mixers, and the outputs of these mixers are combined.

nonlinearly can work as a mixer, modulator, demodulator or frequency multiplier. An amplifier optimized for linear operation will nonetheless mix, but inefficiently; an amplifier biased for nonlinear amplification may be practically linear over a given tiny portion of its input-signal range. The trick is to use careful design and component selection to maximize nonlinear distortion when we want it (as in a mixer), and minimize it when we don't. Once we've decided to maximize nonlinear distortion, the trick is to minimize the distortion products we don't want, and maximize the products we want.

KEEPING UNWANTED DISTORTION PRODUCTS DOWN

Ideally, a mixer multiplies the signal at one of its inputs by the signal at its other input, but does not multiply a signal at the same input by itself, or multiple signals at the same input by themselves or by each other. (Multiplying a signal by itself — squaring it — generates harmonic distortion [specifically, *second-harmonic* distortion] by adding the signal's frequency to itself per equation 7. Simultaneously squaring two or more signals generates simultaneous harmonic and intermodulation distortion, as we'll see later when we explore how a diode demodulates AM.)

Consider what happens when a mixer must handle signals at two different frequencies (we'll call them f_1 and f_2) applied to its first input, and a signal at a third frequency (f_3) applied to its other input. Ideally, a mixer multiplies f_1 by f_3 and f_2 by f_3 , but does not multiply f_1 and f_2 by each other. This produces output at the sum and difference of f_1

and f_3 , and the sum and difference of f_2 and f_3 , but *not* the sum and difference of f_1 and f_2 . **Fig 10.4** shows that feeding two signals into one input of a mixer results in the same output as if f_1 and f_2 are each first mixed with f_3 in two separate mixers, and the outputs of these mixers are combined. This shows that a mixer, even though constructed with nonlinearly distorting components, actually behaves as a *linear frequency shifter*. Traditionally, we refer to this process as mixing and to its outputs as *mixing products*, but we may also call it *frequency conversion*, referring to a device or circuit that does it as a *converter*, and to its outputs as *conversion products*. If a mixer produces an output frequency that is higher than the input frequency, it is called an upconverter; if the output frequency is lower than the input, a downconverter.

Real mixers, however, at best act only as *reasonably* linear frequency shifters, generating some unwanted IMD products — spurious signals, or *spurs* — as they go. Receivers are especially sensitive to unwanted mixer IMD because the signal-level spread over which they must operate without generating unwanted IMD is often 90 dB or more, and includes infinitesimally weak signals in its span. In a receiver, IMD products so tiny that you'd never notice them in a transmitted signal can easily obliterate weak signals. This is why receiver designers apply so much effort to achieving "high dynamic range."

The degree to which a given mixer, modulator or demodulator circuit produces unwanted IMD is often *the* reason why we use it, or don't use it, instead of another circuit that does its wanted-IMD job as well or even better.

OTHER MIXER OUTPUTS

In addition to desired sum-and-difference products and unwanted IMD products, real mixers also put out some energy at their input frequencies. Some mixer implementations may *suppress* these outputs — that is, reduce one or both of their input signals by a factor of 100 to 1,000,000, or 20 to 60 dB. This is good because it helps keep input signals at the desired mixer-output sum or difference frequency from showing up at the IF terminal — an effect reflected in a receiver's *IF rejection* specification. Some mixer types, especially those used in the vacuum-tube era, suppress their input-signal outputs very little or not at all.

Input-signal suppression is part of an overall picture called *port-to-port isolation*. Mixer input and output connections are traditionally called *ports*. By tradition, the port to which we apply the shifting signal is the *local-oscillator (LO)* port. By convention, the signal or signals to be frequency-shifted are applied to the *RF (radio frequency)* port, and the frequency-shifted (product) signal or signals emerge at the *IF (intermediate*

frequency) port. This illustrates the function of a mixer in a receiver: Since it is often impractical to achieve the desired gain and filtering at the incoming signal's frequency (at RF), a mixer is used to translate the incoming RF signal to an intermediate frequency (the IF), where gain and filtering can be applied. The IF may be either lower or higher than the incoming RF signal. In a transmitter, the

modulated signal may be created at an IF, and then translated in frequency by a mixer to the operating frequency.

Some mixers are *bilateral*; that is, their RF and IF ports can be interchanged, depending on the application. Diode-based mixers are usually bilateral. Many mixers are not bilateral (*unilateral*); the popular SA602/612 Gilbert cell IC mixer is an example of this.

It's generally a good idea to keep a mixer's input signals from appearing at its output port because they represent energy that we'd rather not pass on to subsequent circuitry. It therefore follows that it's usually a good idea to keep a mixer's LO-port energy from appearing at its RF port, or its RF-port energy from making it through to the IF port. But there are some notable exceptions.

10.2 Mixers and Amplitude Modulation

Now that we've just discussed what a fine thing it is to have a mixer that doesn't let its input signals through to its output port, we can explore a mixing approach that outputs one of its input signals so strongly that the fed-through signal's amplitude at least equals the combined amplitudes of the system's sum and difference products! This system full-carrier, *amplitude modulation*, is the oldest means of translating information into radio form and back again. It's a frequency-shifting system in which the original unmodulated signal, traditionally called the *carrier*, emerges from the mixer along with the sum and difference products, traditionally called *sidebands*. The sidebar, "Mixer Math: Amplitude Modulation," describes this process mathematically.

10.2.1 Overmodulation

Since the information we transmit using AM shows up entirely as energy in its sidebands, it follows that the more energetic we make the sidebands, the more information energy will be available for an AM receiver to "recover" when it demodulates the signal. Even in an ideal modulator, there's a practical limit to how strong we can make an AM signal's sidebands relative to its carrier, however. Beyond that limit, we severely distort the waveform we want to translate into radio form.

We reach AM's distortion-free modulation limit when the sum of the sidebands and carrier at the modulator output *just reaches zero* at the modulating wave-form's most negative peak (Fig 10.5). We call this condition *100% modulation*, and it occurs when m in equation 8 equals 1. (We enumerate *modulation percentage* in values from 0 to 100%. The lower the number, the less information energy is in the sidebands. You may also see modulation enumerated in terms of a *modulation factor* from 0 to 1, which directly equals m ; a modulation factor of 1 is the same as 100% modulation.) Equation 9 shows that each sideband's voltage is half that of the carrier. Power varies

as the square of voltage, so the power in each sideband of a 100%-modulated signal is therefore $(\frac{1}{2})^2$ times, or $\frac{1}{4}$, that of the carrier. A transmitter capable of 100% modulation when operating at a carrier power of 100 W therefore puts out a 150-W signal at 100% modulation, 50 W of which is attributable to the sidebands.

(The *peak* envelope power [PEP] output of a double-sideband, full-carrier AM transmitter at 100% modulation is four times its carrier PEP. This is why our solid-state, "100-W" MF/HF transceivers are usually rated for no more than about 25 W carrier output at 100% amplitude modulation.)

Mixer Math: Amplitude Modulation

We can easily make the carrier pop out of our mixer along with the sidebands merely by building enough *dc level shift* into the information we want to mix so that its waveform never goes negative. Back at equations 1 and 2, we decided to keep our mixer math relatively simple by setting the peak voltage of our mixer's input signals directly equal to their sine values. Each input signal's peak voltage therefore varies between +1 and -1, so all we need to do to keep our modulating-signal term (provided with a subscript m to reflect its role as the modulating or information waveform) from going negative is add 1 to it. Identifying the carrier term with a subscript c , we can write

$$\text{AM signal} = (1 + m \sin 2\pi f_m t) \sin 2\pi f_c t \quad (8)$$

Notice that the modulation ($2\pi f_m t$) term has company in the form of a coefficient, m . This variable expresses the modulating signal's varying amplitude — variations that ultimately result in amplitude modulation. Expanding equation 8 according to equation 6 gives us

$$\text{AM signal} = \sin 2\pi f_c t + \frac{1}{2} m \cos (2\pi f_c - 2\pi f_m) t - \frac{1}{2} m \cos (2\pi f_c + 2\pi f_m) t \quad (9)$$

The modulator's output now includes the carrier ($\sin 2\pi f_c t$) in addition to sum and difference products that vary in strength according to m . According to the conventions of talking about modulation, we call the sum product, which comes out at a frequency higher than that of the carrier, the *upper sideband (USB)*, and the difference product, which comes out at a frequency lower than that of the carrier, the *lower sideband (LSB)*. We have achieved amplitude modulation.

Why We Call It Amplitude Modulation

We call the modulation process described in equation 8 *amplitude modulation* because the complex waveform consisting of the sum of the sidebands and carrier varies with the information signal's magnitude (m). Concepts long used to illustrate AM's mechanism may mislead us into thinking that the *carrier* varies in strength with modulation, but careful study of equation 9 shows that this doesn't happen. The carrier, $\sin 2\pi f_c t$, goes into the modulator — we're in the modulation business now, so it's fitting to use the term *modulator* instead of *mixer* — as a sinusoid with an unvarying maximum value of |1|. The modulator multiplies the carrier by the dc level (+1) that we added to the information signal ($m \sin 2\pi f_m t$). Multiplying $\sin 2\pi f_c t$ by 1 merely returns $\sin 2\pi f_c t$. We have proven that the carrier's amplitude does not vary as a result of amplitude modulation — a fact that makes sense when we realize that in simple AM receivers the carrier serves as an AGC control signal and (during "diode" detection) provides, at the correct power level and frequency, the "LO" signal necessary to heterodyne the sidebands back to baseband.

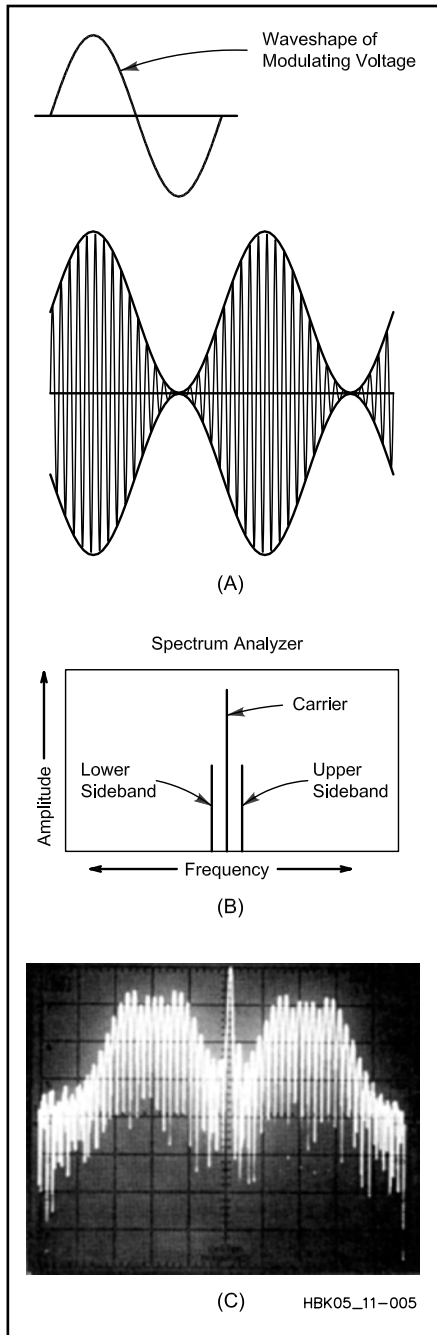


Fig 10.5 — Graphed in terms of amplitude versus time (A), the *envelope* of a properly modulated AM signal exactly mirrors the shape of its modulating waveform, which is a sine wave in this example. This AM signal is modulated as fully as it can be — 100% — because its envelope *just* hits zero on the modulating wave's negative peaks. Graphing the same AM signal in terms of amplitude versus frequency (B) reveals its three spectral components: Carrier, upper sideband and lower sideband. B shows sidebands as single-frequency components because the modulating waveform is a sine wave. With a complex modulating waveform, the modulator's sum and difference products really do show up as *bands* on either side of the carrier (C).

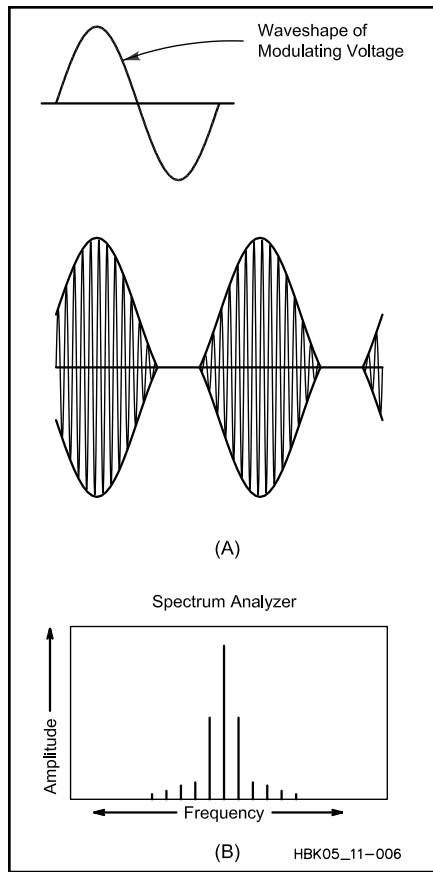


Fig 10.6 — Negative-going overmodulation of an AM transmitter results in a modulation envelope (A) that doesn't faithfully mirror the modulating waveform. This distortion creates additional sideband components that broaden the transmitted signal (B). Positive-going modulation beyond 100% is used by some AM broadcasters in conjunction with negative-peak limiting to increase "talk power" without causing negative overmodulation.

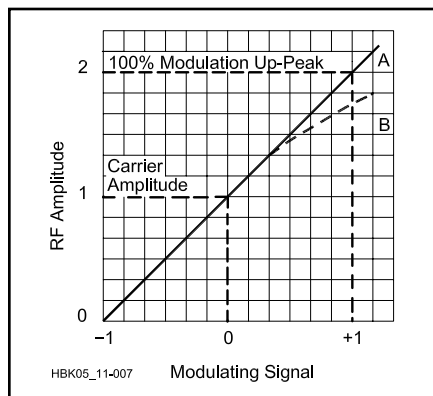


Fig 10.7 — An ideal AM transmitter exhibits a straight-line relationship (A) between its instantaneous envelope amplitude and the instantaneous amplitude of its modulating signal. Distortion, and thus an unnecessarily wide signal, results if the transmitter cannot respond linearly across the modulating signal's full amplitude range.

One-hundred-percent negative modulation is a brick-wall limit because an amplitude modulator can't reduce its output to less than zero. Trying to increase negative modulation beyond the 100% point results in *over-modulation* (Fig 10.6), in which the modulation envelope no longer mirrors the shape of the modulating wave (Fig 10.6A). A negatively overmodulated wave contains more energy than it did at 100% modulation, but some of the added energy now exists as *harmonics of the modulating waveform* (Fig 10.6B). This distortion makes the modulated signal take up more spectrum space than it needs. In voice operation, overmodulation commonly happens only on syllabic peaks, making the distortion products sound like transient noise we refer to as *spatter*.

MODULATION LINEARITY

If we increase an amplitude modulator's modulating-signal input by a given percentage, we expect a proportional modulation increase in the modulated signal. We expect good *modulation linearity*. Suboptimal amplitude modulator design may not allow this, however. Above some modulation percentage, a modulator may fail to increase modulation in proportion to an increase in its input signal (Fig 10.7). Distortion, and thus an unnecessarily wide signal, results.

10.2.2 Using AM to Send Morse Code

Fig 10.8A closely resembles what we see when a properly adjusted CW transmitter sends a string of dots. Keying a carrier on and off produces a wave that varies in amplitude and has double (upper and lower) sidebands that vary in spectral composition according to the duration and envelope shape of the on-off transitions. The emission mode we call CW is therefore a form of AM. The concepts of modulation percentage and overmodulation are usually not applied to generating an on-off-keyed Morse signal, however. This is related to how we copy CW by ear, and the fact that, in CW radio communication, we usually don't translate the received signal all the way back into its original pre-modulator (*baseband*) form, as a closer look at the process reveals.

In CW transmission, we usually open and close a keying line to make dc transitions that turn the transmitted carrier on and off. See Fig 10.8B. CW reception usually does not entirely reverse this process, however. Instead of demodulating a CW signal all the way back to its baseband self — a shifting dc level — we want the presences and absences of its carrier to create long and short audio tones. Because the carrier is RF and not AF, we must mix it with a locally generated RF signal — from a *beat-frequency oscillator*

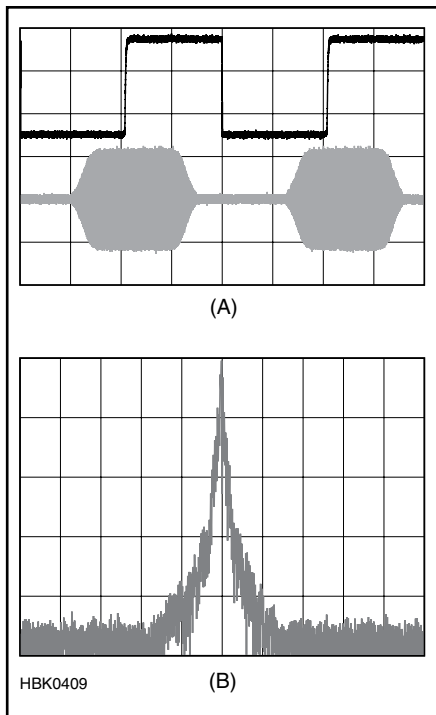


Fig 10.8 — Telegraphy by on-off-keying a carrier is also a form of AM, called CW (short for *continuous wave*) for reasons of tradition. *Waveshaping* in a CW transmitter often causes a CW signal's RF envelope (lower trace in the amplitude-versus-time display at A) to contain less harmonic energy than the abrupt transitions of its key closure waveform (upper trace in A) suggest should be the case. B, an amplitude-versus-frequency display, shows that even a properly shaped CW signal has many sideband components.

(BFO) — that's close enough in frequency to produce a difference signal at AF (this BFO can, of course, also be inserted at an IF stage). What goes into our transmitter as shifting dc comes out of our receiver as thump-delimited tone bursts of dot and dash duration. We have achieved CW communication.

It so happens that we always need to hear one or more harmonics of the fundamental keying waveform for the code to sound sufficiently crisp. If the transmitted signal will be subject to fading caused by varying propagation — a safe assumption for any long-distance radio communication — we can *harden* our keying by making the transmitter's output rise and fall more quickly. This puts more energy into keying sidebands and makes the signal more copiable in the presence of fading — in particular, *selective fading*, which linearly distorts a modulated signal's complex waveform and randomly changes the sidebands' strength and phase relative to the carrier and each other. The appropriate keying hardness also depends on the keying speed. The faster the keying

in WPM, the faster the on-off times — the harder the keying — must be for the signal to remain ear- and machine-readable through noise and fading.

Instead of thinking of this process in terms of modulation percentage, we just ensure that a CW transmitter produces sufficient keying-sideband energy for solid reception. Practical CW transmitters usually do not do their keying with a modulator stage as such. Instead, one or more stages are turned on and off to modulate the carrier with Morse, with rise and fall times set by *R* and *C* values associated with the stages' keying and/or power supply lines. A transmitter's CW *waveshaping* is therefore usually hardwired to values appropriate for reasonably high-speed sending (35 to 55 WPM or so) in the presence of fading. However, some transceivers allow the user to vary keying hardness at will as a menu option. Rise and fall times of 1 to 5 ms are common; 5-ms rise and fall times equate to a keying speed of 36 WPM in the presence of fading and 60 WPM if fading is absent.

The faster a CW transmitter's output changes between zero and maximum, the more bandwidth its carrier and sidebands occupy. See Fig 10.8B. Making a CW signal's keying too hard is therefore spectrum-wasteful and unneighborly because it makes the signal wider than it needs to be. Keying sidebands that are stronger and wider than necessary are traditionally called *clicks* because of what they sound like on the air. A more detailed discussion of keying waveforms appears in the **Transmitters** chapter of this *Handbook*.

10.2.3 The Many Faces of Amplitude Modulation

We've so far examined mixers, multipliers and modulators that produce complex output signals of two types. One, the action of which equation 7 expresses, produces only the frequency sum and frequency difference between its input signals. The other, the amplitude modulator characterized by equations 8 and 9, produces carrier output in addition to the frequency sum of and frequency difference between its input signals. Exploring the AM process led us to a discussion of on-off-keyed CW, which is also a form of AM.

Amplitude modulation is nothing more and nothing less than varying an output signal's amplitude according to a varying voltage or current. All of the output signal types mentioned above are forms of amplitude modulation, and there are others. Their names and applications depend on whether the resulting signal contains a carrier or not, and both sidebands or not. Here's a brief overview of AM-signal types, what they're called, and some of the jobs you may find them doing:

- *Double-sideband (DSB), full-carrier AM* is often called just *AM*, and often what's

meant when radio folk talk about just *AM*. (When the subject is broadcasting, *AM* can also refer to broadcasters operating in the 535- to 1705-kHz region, generically called *the AM band* or *the broadcast band* or *medium wave*. These broadcasters used only double-sideband, full-carrier AM for many years, but many now use combinations of amplitude modulation and *angle modulation*, explored later in this chapter, to transmit stereophonic sound in analog and digital form.) Equations 8 and 9 express what goes on in generating this signal type. What we call *CW* — Morse code done by turning a carrier on and off — is a form of DSB, full-carrier AM.

- *Double-sideband, suppressed-carrier AM* is what comes out of a circuit that does what equation 7 expresses — a sum (upper sideband), a difference (lower sideband) and no carrier. We didn't call its sum and difference outputs upper and lower sidebands earlier in equation 7's neighborhood, but we'd do so in a transmitting application. In a transmitter, we call a circuit that suppresses the carrier while generating upper and lower sidebands a *balanced modulator*, and we quantify its *carrier suppression*, which is always less than infinite. In a receiver, we call such a circuit a *balanced mixer*, which may be *single-balanced* (if it lets either its RF signal or its LO [carrier] signal through to its output) or *double-balanced* (if it suppresses both its input signal and LO/carrier in its output), and we quantify its *LO suppression* and *port-to-port isolation*, which are always less than infinite. (Mixers [and amplifiers] that afford no balance whatsoever are sometimes said to be *single-ended*.) Sometimes, DSB suppressed-carrier AM is called just *DSB*.

- *Vestigial sideband (VSB), full-carrier AM* is like the DSB variety with one sideband partially filtered away for bandwidth reduction. Some amateur television stations use VSB AM, and it was used by commercial television systems that transmitted analog AM video in the pre-digital TV days.

- *Single-sideband, suppressed-carrier AM* is what you get when you generate a DSB, suppressed carrier AM signal and suppress one sideband with filtering or phasing. We usually call this signal type just *single sideband (SSB)* or, as appropriate, *upper sideband (USB)* or *lower sideband (LSB)*. In a modulator or demodulator system, the *unwanted sideband* — that is, the sum or difference signal we don't want — may be called just that, or it may be called the *opposite sideband*, and we refer to a system's *sideband rejection* as a measure of how well the opposite sideband is suppressed. In receiver mixers not used for demodulation and transmitter mixers not used for modulation, the unwanted sum or difference signal, or the input signal that produces the unwanted sum or difference, is the *image*, and we refer to a system's *image rejection*.

A pair of mixers specially configured to suppress either the sum or the difference output is an *image-reject mixer (IRM)*. In receiver demodulators, the unwanted sum or difference signal may just be called the opposite sideband, or it may be called the *audio image*. A receiver capable of rejecting the opposite sideband or audio image is said to be capable of *single-signal* reception.

- *Single-sideband, full-carrier AM* is akin to full-carrier DSB with one sideband missing. Commercial and military communicators may call it *AM equivalent (AME)* or *compatible AM (CAM)*—*compatible* because it can be usefully demodulated in AM and SSB receivers and because it occupies about the same amount of spectrum space as SSB.)

- *Independent sideband (ISB) AM* consists of an upper sideband and a lower sideband containing different information (a carrier of some level may also be present). Radio amateurs sometimes use ISB to transmit simultaneous slow-scan-television and voice information; international broadcasters sometimes use it for point-to-point audio feeds as a backup to satellite links.

10.2.4 Mixers and AM Demodulation

Translating information from radio form back into its original form — demodulation — is also traditionally called *detection*. If the information signal we want to detect consists merely of a baseband signal frequency-shifted into the radio realm, almost any low-distortion frequency-shifter that works according to equation 7 can do the job acceptably well.

Sometimes we recover a radio signal's information by shifting the signal right back to its original form with no intermediate frequency shifts. This process is called *direct conversion*. More commonly, we first convert a received signal to an *intermediate frequency* so we can amplify, filter and level-control it prior to detection. This is *superheterodyne* reception, and most modern radio receivers work in this way. Whatever the receiver type, however, the received signal ultimately makes its way to one last mixer or demodulator that completes the final translation of information back into audio, video, or into a signal form suitable for device control or computer processing. In this last translation, the incoming signal is converted back to recovered-information form by mixing it with one last RF signal. In heterodyne or *product* detection, that final frequency-shifting signal comes from a BFO. The incoming-signal energy goes into one mixer input port, BFO energy goes into the other, and audio (or whatever form the desired information takes) results.

If the incoming signal is full-carrier AM and we don't need to hear the carrier as a tone,

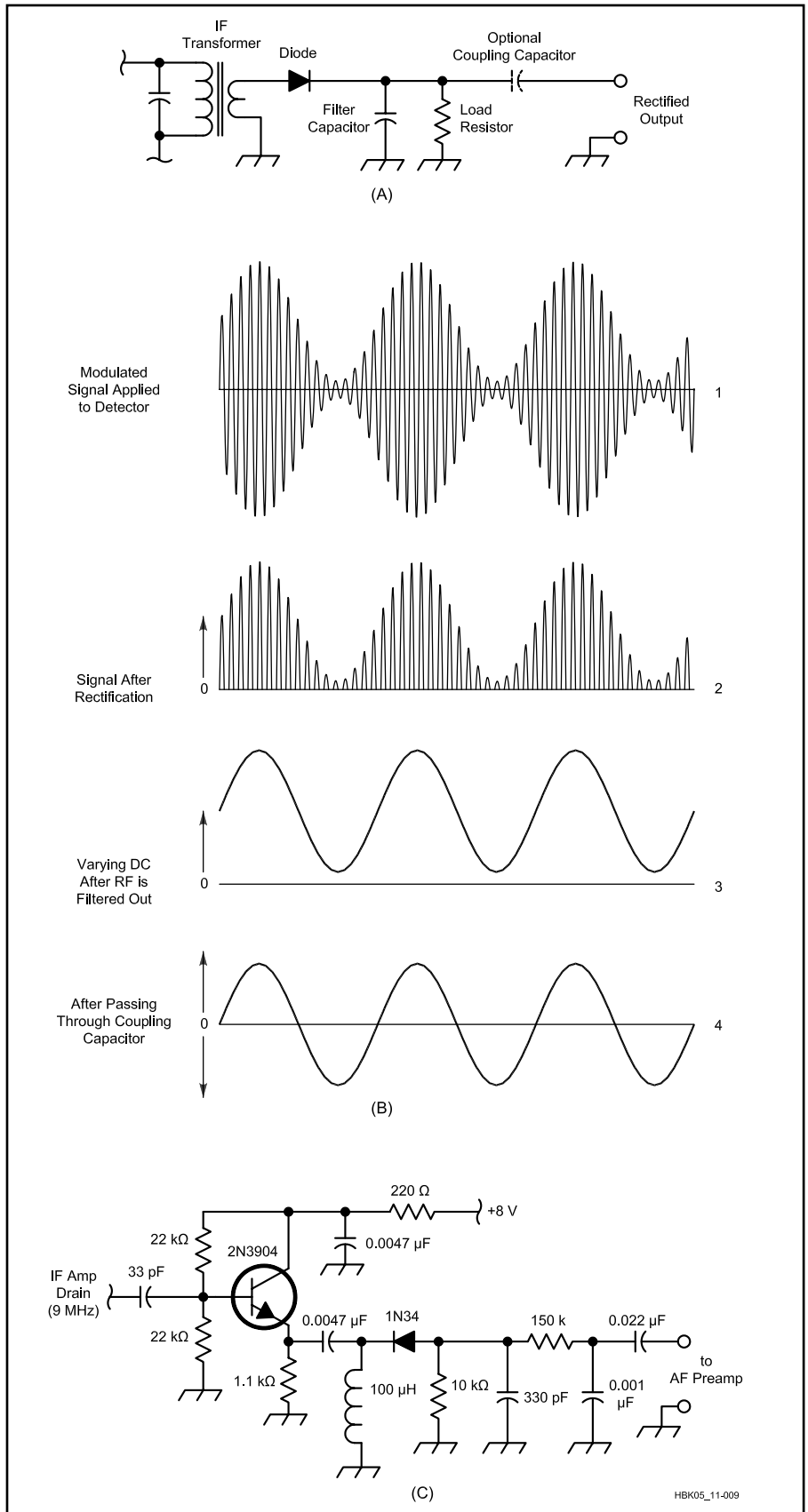


Fig 10.9 — Radio's simplest demodulator, the diode rectifier (A), demodulates an AM signal by acting as a switch that multiplies the carrier and sidebands to produce frequency sums and differences, two of which sum into a replica of the original modulation (B). Modern receivers often use an emitter follower to provide low-impedance drive for their diode detectors (C).

we can modify this process somewhat, if we want. We can use the carrier itself to provide the heterodyning energy in a process called *envelope detection*.

ENVELOPE DETECTION AND FULL-CARRIER AM

Fig 10.5 graphically represents how a full-carrier AM signal's *modulation envelope* corresponds to the shape of the modulating wave. If we can derive from the modulated signal a voltage that varies according to the modulation envelope, we will have successfully recovered the information present in the sidebands. This process is called envelope detection, and we can achieve it by doing nothing more complicated than half-wave-rectifying the modulated signal with a diode (Fig 10.9).

That a diode demodulates an AM signal by allowing its carrier to multiply with

its sidebands may jar those long accustomed to seeing diode detection ascribed merely to "rectification." But a diode is certainly nonlinear. It passes current in only one direction, and its output voltage is (within limits) proportional to the square of its input voltage. These nonlinearities allow it to multiply.

Exploring this mathematically is tedious with full-carrier AM because the process squares three summed components (carrier, lower sideband and upper sideband). Rather than fill the better part of a page with algebra, we'll instead characterize the outcome verbally: In "just rectifying" a DSB, full-carrier AM signal, a diode detector produces

- Direct current (the result of rectifying the carrier);
- A second harmonic of the carrier;
- A second harmonic of the lower sideband;

- A second harmonic of the upper sideband;

• Two difference-frequency outputs (upper sideband minus carrier, carrier minus lower sideband), each of which is equivalent to the modulating wave-form's frequency, and both of which sum to produce the recovered information signal; and

- A second harmonic of the modulating waveform (the frequency difference between the two sidebands).

Three of these products are RF. Low-pass filtering, sometimes little more than a simple RC network, can remove the RF products from the detector output. A capacitor in series with the detector output line can block the carrier-derived dc component. That done, only two signals remain: the recovered modulation and, at a lower level, its second harmonic — in other words, second-harmonic distortion of the desired information signal.

10.3 Mixers and Angle Modulation

Amplitude modulation served as our first means of translating information into radio form because it could be implemented as simply as turning an electric noise generator on and off. (A spark transmitter consisted of little more than this.) By the 1930s, we had begun experimenting with translating information into radio form and back again by modulating a radio wave's angular velocity (frequency or phase) instead of its overall amplitude. The result of this process is *frequency modulation (FM)* or *phase modulation (PM)*, both of which are often grouped under the name *angle modulation* because of their underlying principle.

A change in a carrier's frequency or phase for the purpose of modulation is called *deviation*. An FM signal deviates according to the amplitude of its modulating waveform, independently of the modulating waveform's frequency; the higher the modulating wave's amplitude, the greater the deviation. A PM signal deviates according to the amplitude and frequency of its modulating waveform; the higher the modulating wave's amplitude and/or frequency, the greater the deviation. See the sidebar, "Mixer Math: Angle Modulation" for a numerical description of these processes.

10.3.1 Angle Modulation Sidebands

Although angle modulation produces un-

Mixer Math: Angle Modulation

An angle-modulated signal can be mathematically represented as

$$f_c(t) = \cos(2\pi f_c t + m \sin(2\pi f_m t))$$

$$= \cos(2\pi f_c t) \cos(m \sin(2\pi f_m t)) - \sin(2\pi f_c t) \sin(m \sin(2\pi f_m t)) \quad (10)$$

In equation 10, we see the carrier frequency ($2\pi f_c t$) and modulating signal ($\sin 2\pi f_m t$) as in the equation for AM (equation 8). We again see the modulating signal associated with a coefficient, m , which relates to degree of modulation. (In the AM equation, m is the modulation factor; in the angle-modulation equation, m is the *modulation index* and, for FM, equals the deviation divided by the modulating frequency.) We see that angle-modulation occurs as the cosine of the sum of the carrier frequency ($2\pi f_c t$) and the modulating signal ($\sin 2\pi f_m t$) times the modulation index (m). In its expanded form, we see the appearance of sidebands above and below the carrier frequency.

Angle modulation is a multiplicative process, so, like AM, it creates sidebands on both sides of the carrier. Unlike AM, however, angle modulation creates an *infinite* number of sidebands on either side of the carrier! This occurs as a direct result of modulating the carrier's angular velocity, to which its frequency and phase directly relate. If we continuously vary a wave's angular velocity according to another periodic wave's cyclical amplitude variations, the rate at which the modulated wave repeats *its* cycle — its frequency — passes through an infinite number of values. (How many individual amplitude points are there in one cycle of the modulating wave? An infinite number. How many corresponding discrete frequency or phase values does the corresponding angle-modulated wave pass through as the modulating signal completes a cycle? An infinite number!) In AM, the carrier frequency stays at one value, so AM produces two sidebands — the sum of its carrier's unchanging frequency value and the modulating frequency, and the difference between the carrier's unchanging frequency value and the modulating frequency. In angle modulation, the modulating wave shifts the frequency or phase of the carrier through an infinite number of different frequency or phase values, resulting in an infinite number of sum and difference products.

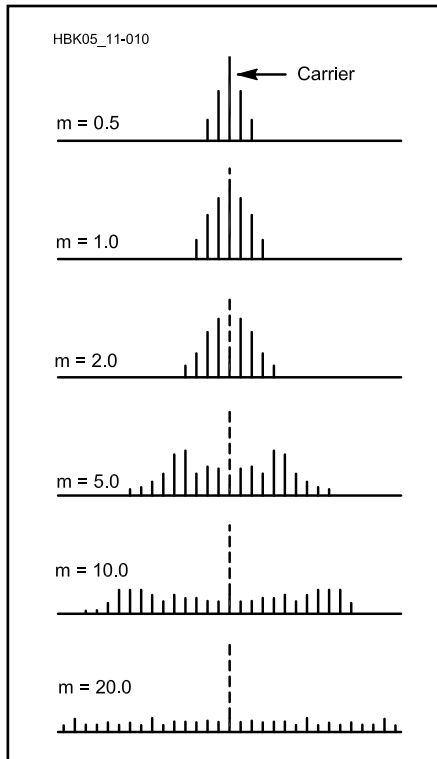


Fig 10.10 — Angle-modulation produces a carrier and an infinite number of upper and lower sidebands spaced from the average (“resting,” unmodulated) carrier frequency by integer multiples of the modulating frequency. (This drawing is a simplification because it only shows relatively strong, close-in sideband pairs; space constraints prevent us from extending it to infinity.) The relative amplitudes of the sideband pairs and carrier vary with modulation index, m .

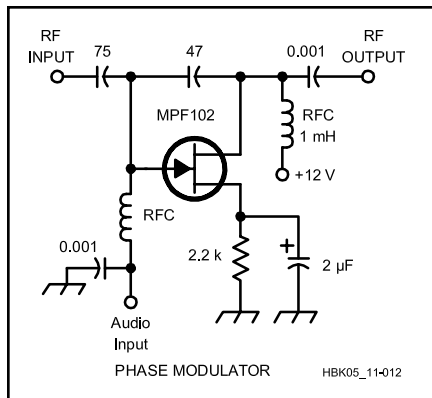


Fig 10.12 — A series reactance modulator acts as a variable shunt around a reactance — in this case, a 47-pF capacitor — through which the carrier passes.

countable sum and difference products, most of them are vanishingly weak in practical systems. They emerge from the modulator spaced from the average (“resting,” unmodulated) carrier frequency by integer multiples of the modulating frequency (Fig 10.10). The strength of the sidebands relative to the carrier, and the strength and phase of the carrier itself, vary with the degree of modulation — the modulation index. (The overall amplitude of an angle-modulated signal does not change with modulation, however; when energy goes out of the carrier, it shows up in the sidebands, and vice versa.) In practice, we operate angle-modulated transmitters at modulation indexes that make all but a few of their infinite sidebands small in amplitude.

(A mathematical tool called *Bessel functions* helps determine the relative strength of the carrier and sidebands according to modulation index. The **Modulation** chapter includes a graph to illustrate this relationship.) Selectivity in transmitter and receiver circuitry further modify this relationship, especially for sidebands far away from the carrier.

10.3.2 Angle Modulators

If you vary a reactance in or associated with an oscillator’s frequency-determining element(s), you vary the oscillator’s frequency. If you vary the tuning of a tuned circuit through which a signal passes, you vary the signal’s phase. A circuit that does this is called a *reactance modulator*, and can be little more than a tuning diode or two connected to a tuned circuit in an oscillator or amplifier (Fig 10.11). Varying a reactance through which the signal passes (Fig 10.12) is another way of doing the same thing.

The difference between FM and PM depends solely on how, and not how much, deviation occurs. A modulator that causes deviation in proportion to the modulating wave’s amplitude and frequency is a phase modulator. A modulator that causes deviation only in proportion to the modulating signal’s amplitude is a frequency modulator.

INCREASING DEVIATION BY FREQUENCY MULTIPLICATION

Maintaining modulation linearity is just as important in angle modulation as it is in AM, because unwanted distortion is always our enemy. A given angle-modulator circuit can frequency- or phase-shift a carrier only so much before the shift stops occurring in strict proportion to the amplitude (or, in PM, the amplitude and frequency) of the modulating signal.

If we want more deviation than an angle modulator can linearly achieve, we can operate the modulator at a suitable sub-harmonic — submultiple — of the desired frequency, and process the modulated signal through a series of *frequency multipliers* to bring it up to the desired frequency. The deviation also increases by the overall multiplication factor, relieving the modulator of having to do it all directly. A given FM or PM radio design may achieve its final output frequency through a combination of mixing (frequency shift, no deviation change) and frequency multiplication (frequency shift and deviation change).

THE TRUTH ABOUT “TRUE FM”

Something we covered a bit earlier bears closer study:

“An FM signal deviates according to the amplitude of its modulating waveform, independently of the modulating wave-form’s frequency; the higher the modulating wave’s

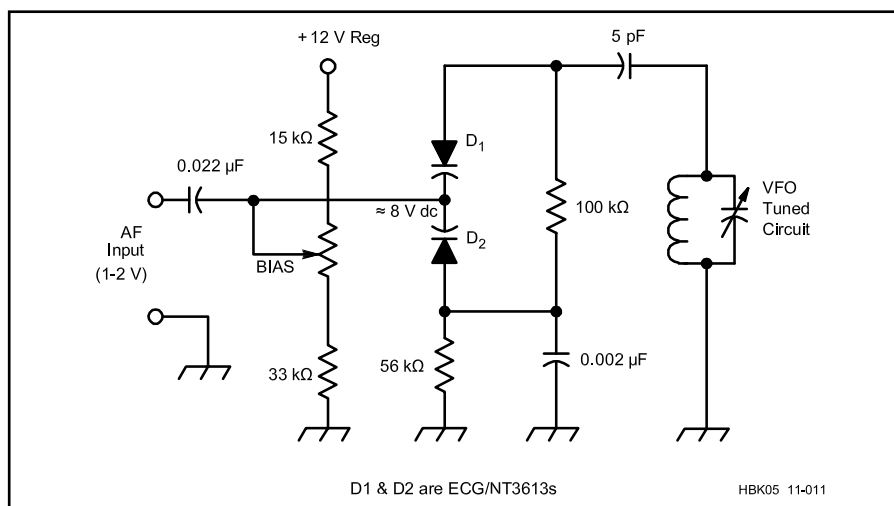


Fig 10.11 — One or more tuning diodes can serve as the variable reactance in a reactance modulator. This HF reactance modulator circuit uses two diodes in series to ensure that the tuned circuit’s RF-voltage swing cannot bias the diodes into conduction. D1 and D2 are “30-volt” tuning diodes that exhibit a capacitance of 22 pF at a bias voltage of 4. The BIAS control sets the point on the diode’s voltage-versus-capacitance characteristic around which the modulating waveform swings.

amplitude, the greater the deviation. A PM signal deviates according to the amplitude *and frequency* of its modulating waveform; the higher the modulating wave's amplitude *and/or frequency*, the greater the deviation."

The practical upshot of this excerpt is that we can use a phase modulator to generate FM. All we need to do is run a PM transmitter's modulating signal through a low-pass filter that (ideally) halves the signal's amplitude for each doubling of frequency (a reduction of "6 dB per octave," as we sometimes see such responses characterized) to compensate for its phase modulator's "more deviation with higher frequencies" characteristic. The result is an FM, not PM, signal. FM achieved with a phase modulator is sometimes called *indirect FM* as opposed to the *direct FM* we get from a frequency modulator.

We sometimes see claims that one piece of gear is better than another solely because it generates "true FM" as opposed to indirect FM. We can debunk such claims by keeping in mind that direct and indirect FM *sound exactly alike in a receiver* when done correctly.

CONVEYING DC LEVELS WITH ANGLE MODULATION

Depending on the nature of the modulation source, there *is* a practical difference between a frequency modulator and a phase modulator. Answering two questions can tell us whether this difference matters: Does our modulating signal contain a dc level or not? If so, do we need to accurately preserve that dc level through our radio communication link for successful communication? If both answers are *yes*, we must choose our hardware and/or information-encoding approach carefully, because a frequency modulator can convey dc-level shifts in its modulating waveform, while a phase modulator, which responds only to instantaneous changes in frequency and phase, cannot.

Consider what happens when we want to frequency-modulate a phase-locked-loop-synthesized transmitted signal. **Fig 10.13** shows the block diagram of a PLL frequency modulator. Normally, we modulate a PLL's VCO because it's the easy thing to do. As long as our modulating frequency results in frequency excursions too fast for the PLL to follow and correct — that is, as long as our modulating frequency is outside the PLL's *loop bandwidth* — we achieve the FM we seek. Trying to modulate a dc level by pushing the VCO to a particular frequency and holding it there fails, however, because a PLL's loop response includes dc. The loop, therefore, detects the modulation's dc component as a correctable error and "fixes" it. FMing a PLL's VCO therefore can't buy us the dc response "true FM" is supposed to allow.

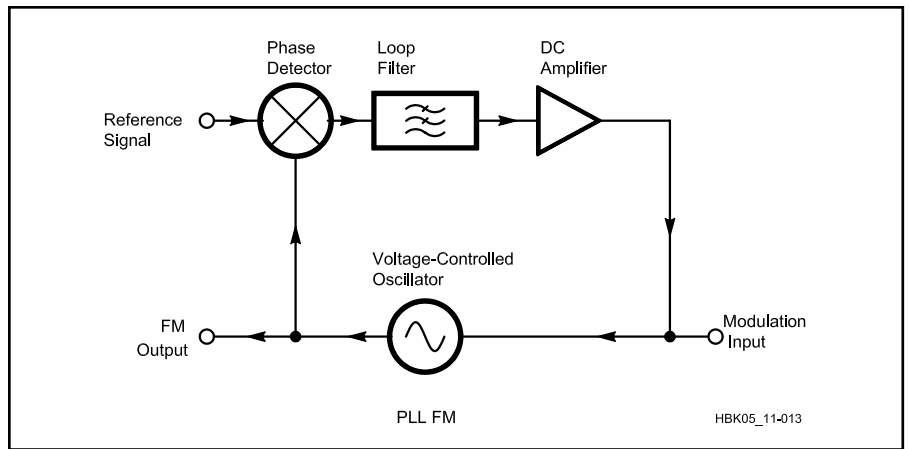


Fig 10.13 — Frequency modulation, PLL-style.

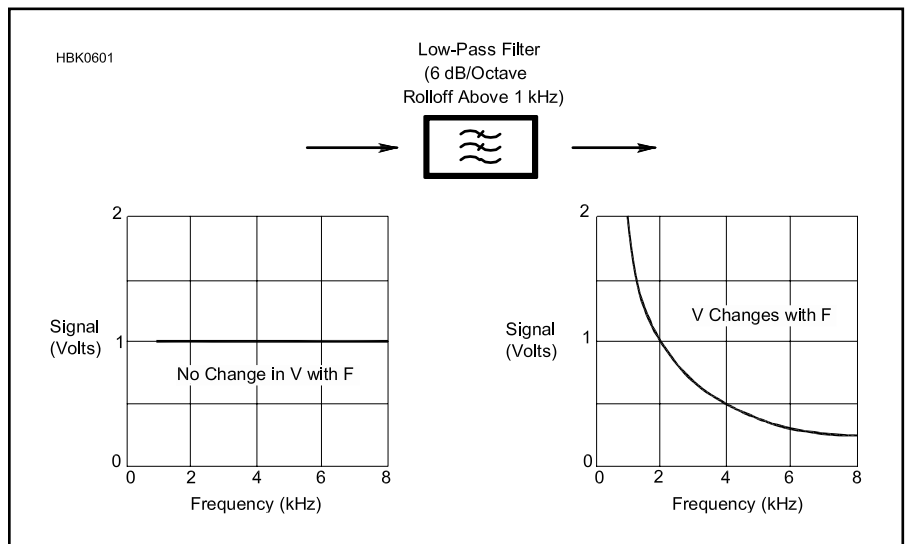


Fig 10.14 — Frequency-sweeping a constant-amplitude signal and passing it through a low-pass filter results in an output signal that varies in amplitude with frequency. This is the principle behind the angle-demodulation process called *frequency discrimination*.

We can dc-modulate a PLL modulator, but we must do so by modulating the frequency of the loop *reference*. The PLL then adjusts the VCO to adapt to the changed reference, and our dc level gets through. In this case, the modulating frequency must be *within* the loop bandwidth — which dc certainly is — or the VCO won't be corrected to track the shift.

10.3.3 Mixers and Angle Demodulation

With the awesome prospect of generating an infinite number of sidebands still fresh in our minds, we may be a bit disappointed to learn that we commonly demodulate angle modulation by doing little more than turning it into AM and then envelope- or product-

detecting it! But this is what happens in many of our FM receivers and transceivers, and we can get a handle on this process by realizing that a form of angle-modulation-to-AM conversion begins quite early in an angle-modulated signal's life because of linear distortion of the modulation by amplitude-linear circuitry — something that happens to angle-modulated signals, it turns out, in any linear circuit that doesn't have an amplitude-versus-frequency response that's utterly flat out to infinity.

Think of what happens, for example, when we sweep a constant-amplitude signal up in frequency — say, from 1 kHz to 8 kHz — and pass it through a 6-dB-per-octave filter (**Fig 10.14**). The filter's rolloff causes the output signal's amplitude to decrease as frequency increases. Now imagine that

we linearly sweep our constant-amplitude signal *back and forth* between 1 kHz and 8 kHz at a constant rate of 3 kHz per second. The filter's output *amplitude* now varies cyclically over time as the input signal's *frequency* varies cyclically over time. Right before our eyes, a frequency change turns into an amplitude change. The process of converting angle modulation to amplitude modulation has begun.

This is what happens whenever an angle-modulated signal passes through circuitry with an amplitude-versus-frequency response that isn't flat out to infinity. As the signal deviates across the frequency-response curves of whatever circuitry passes it, its angle modulation is, to some degree, converted to AM — a form of crosstalk between the two modulation types, if we wish to look at it that way. (Variations in system phase linearity also cause distortion and FM-to-AM conversion, because the sidebands do not have the proper phase relationship with respect to each other and with respect to the carrier.)

All we need to do to put this effect to practical use is develop a circuit that does this frequency-to-amplitude conversion linearly across the frequency span of the modulated signal's deviation. Then we envelope-demodulate the resulting AM, and we have achieved angle demodulation.

Fig 10.15 shows such a circuit — a *discriminator* — and the sort of amplitude-versus-frequency response we expect from it. It's actually possible to use an AM receiver to recover understandable audio from a narrow angle-modulated signal by “off-tuning” the signal so its deviation rides up and down on one side of the receiver's IF selectivity curve. This *slope detection* process served as an early, suboptimal form of frequency discrimination in receivers not designed for FM. It is always worth trying as a last-resort-class means of receiving narrowband FM with an AM receiver.

QUADRATURE DETECTION

It's also possible to demodulate an angle-modulated signal merely by multiplying it with a time-delayed copy of itself in a double-balanced mixer as shown in Fig 10.16; the sidebar, “Mixer Math: Quadrature Demodulation,” explains the process numerically.

An ideal quadrature detector puts out 0 V dc when no modulation is present (with the carrier at f_c). The output of a real quadrature detector may include a small *dc offset* that requires compensation. If we need the detector's response all the way down to dc, we've got it; if not, we can put a suitable

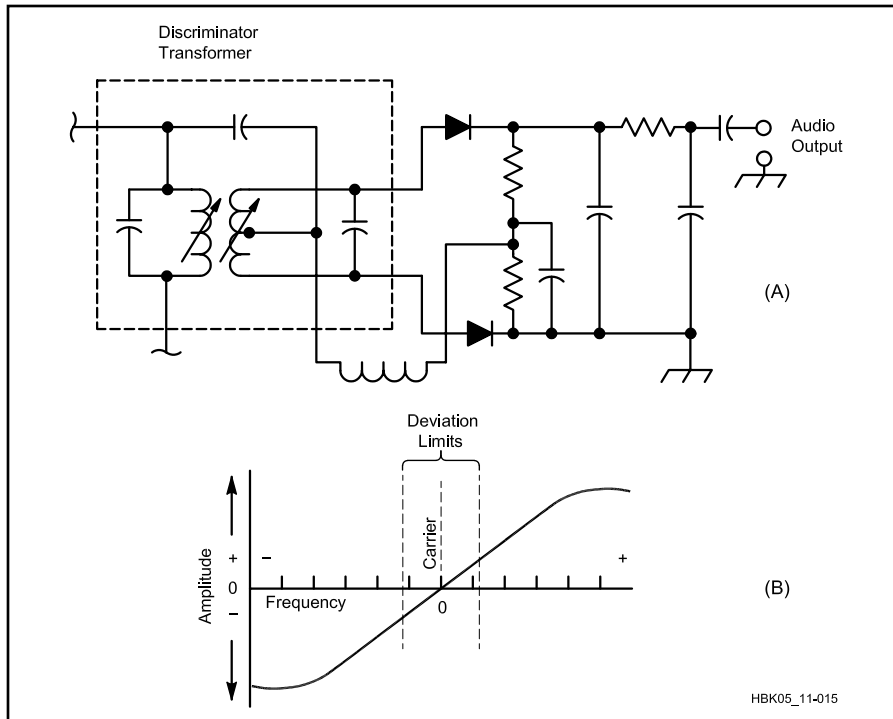


Fig 10.15 — A *discriminator* (A) converts an angle-modulated signal's deviation into an amplitude variation (B) and envelope-detects the resulting AM signal. For undistorted demodulation, the discriminator's amplitude-versus-frequency characteristic must be linear across the input signal's deviation. A *crystal discriminator* uses a crystal as part of its frequency-selective circuitry.

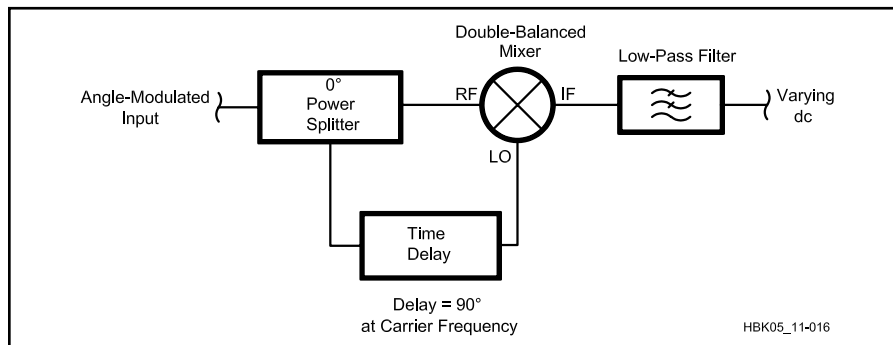


Fig 10.16 — In *quadrature detection*, an angle-modulated signal multiplies with a time-delayed copy of itself to produce a dc voltage that varies with the amplitude and polarity of its phase or frequency excursions away from the carrier frequency. A practical quadrature detector can be as simple as a 0° power splitter (that is, a power splitter with in-phase outputs), a diode double-balanced mixer, a length of coaxial cable $\frac{1}{4}\lambda$ (electrical) long at the carrier frequency, and a bit of low-pass filtering to remove the detector output's RF components. IC quadrature detectors achieve their time delay with one or more resistor-loaded tuned circuits (Fig 10.17).

blocking capacitor in the output line for ac-only coupling.

Quadrature detection is more common than frequency discrimination nowadays because it doesn't require a special discrimi-

nator transformer or resonator, and because the necessary balanced-detector circuitry can easily be implemented in IC structures along with limiters and other receiver circuitry. The NXP Semiconductor SA604A FM IF IC is

Mixer Math: Quadrature Demodulation

Demodulating an angle-modulated signal merely by multiplying it with a time-delayed copy of itself in a double-balanced mixer results in quadrature demodulation (Fig 10.16). To illustrate this mathematically, for simplicity's sake, we'll represent the mixer's RF input signal as just a sine wave with an amplitude, A :

$$A \sin(2\pi ft) \quad (11)$$

and its time-delayed twin, fed to the mixer's LO input, as a sine wave with an amplitude, A , and a time delay of d :

$$A \sin[2\pi f(t + d)] \quad (12)$$

Setting this special mixing arrangement into motion, we see

$$\begin{aligned} & A \sin(2\pi ft) \times A \sin(2\pi ft + d) \\ &= \frac{A^2}{2} \cos(2\pi fd) - \frac{A^2}{2} \cos(2\pi fd) \cos(2 \times 2\pi ft) + \frac{A^2}{2} \sin(2\pi fd) \sin(2 \times 2\pi ft) \end{aligned} \quad (13)$$

Two of the three outputs — the second and third terms — emerge at twice the input frequency; in practice, we're not interested in these, and filter them out. The remaining term — the one we're after — varies in amplitude and sign according to how far and in what direction the carrier shifts away from its resting or center frequency (at which the time delay, d , causes the mixer's RF and LO inputs to be exactly 90° out of phase — in *quadrature* — with each other). We can examine this effect by replacing f in equations 11 and 12 with the sum term $f_c + f_s$, where f_c is the center frequency and f_s is the frequency shift. A 90° time delay is the same as a quarter cycle of f_c , so we can restate d as

$$d = \frac{1}{4f_c} \quad (14)$$

The first term of the detector's output then becomes

$$\begin{aligned} & \frac{A^2}{2} \cos(2\pi(f_c + f_s)d) \\ &= \frac{A^2}{2} \cos\left(2\pi(f_c + f_s) \frac{1}{4f_c}\right) \\ &= \frac{A^2}{2} \cos\left(\frac{\pi}{2} + \frac{\pi f_s}{2f_c}\right) \end{aligned} \quad (15)$$

When f_s is zero (that is, when the carrier is at its center frequency), this reduces to

$$\frac{A^2}{2} \cos\left(\frac{\pi}{2}\right) = 0 \quad (16)$$

As the input signal shifts higher in frequency than f_c , the detector puts out a positive dc voltage that increases with the shift. When the input signal shifts lower in frequency than f_c , the detector puts out a negative dc voltage that increases with the shift. The detector therefore recovers the input signal's frequency or phase modulation as an amplitude-varying dc voltage that shifts in sign as f_s varies around f_c — in other words, as ac. We have demodulated FM by means of quadrature detection.

one example of this; **Fig 10.17** shows another, the Freescale Semiconductor (formerly Motorola) MC3359 (equivalent, NTE860).

PLL ANGLE DEMODULATION

Back at Fig 10.14, we saw how a phase-locked loop can be used as an angle modulator. A PLL also makes a fine angle demodulator. Applying an angle-modulated signal to a PLL keeps its phase detector and VCO hustling to maintain loop lock through the input signal's angle variations. The loop's error voltage therefore tracks the input signal's modulation, and its variations mirror the modulation signal. Turning the loop's varying dc error voltage into audio is just a blocking capacitor away.

Although we can't convey a dc level by directly modulating the VCO in a PLL angle modulator, a PLL demodulator can respond down to dc quite nicely. A constant frequency offset from f_c (a dc component) simply causes a PLL demodulator to swing its VCO over to the new input frequency, resulting in a proportional dc offset on the VCO control-voltage line. Another way of looking at the difference between a PLL angle modulator and a PLL angle demodulator is that a PLL demodulator works with a varying reference signal (the input signal), while a PLL angle modulator generally doesn't.

AMPLITUDE LIMITING REQUIRED

By now, it's almost household knowledge that FM radio communication systems are superior to AM in their ability to suppress and ignore static, manmade electrical noise and (through a characteristic called *capture effect*) co-channel signals sufficiently weaker than the desired signal. AM-noise immunity and capture effect are not intrinsic to angle modulation, however; they must be designed into the angle-modulation receiver in the form of signal amplitude *limiting*.

If we note the progress of A from the left to the right side of the equal sign in equation 13, we realize that the amplitude of a quadrature detector's input signal affects the amplitude of a quadrature detector's three output signals. A quadrature detector therefore responds to AM, and so does a frequency discriminator. To achieve FM's storied noise immunity, then, these angle demodulators must be preceded by *limiter* circuitry that removes all amplitude variations from the incoming signal.

Putting Mixer Math to Work through DSP

In describing the idealized behavior of mixing, modulation and demodulation circuits and processes through mathematics, this chapter's Mixer Math sidebars reflect a profound underlying reality: If what a mixer, modulator or demodulator does can be described with math, then *all a mixer, modulator or demodulator does is math*. This is true not only of mixers, modulators and demodulators, but of *all* electrical and electronic circuitry, analog and digital. An electrical or electronic circuit is merely a math machine — a machine that, for much of the history of human use of radio and electronics, has necessarily been hardwired to be capable of solving only one equation or set or class of equations. When you build an electronic circuit, interconnecting its resistors, capacitors, inductors, active devices and other components, you build out the signal-processing equation it will solve, atom by mathematical atom. Adjusting the controls of such a purpose-built math machine, every switch you throw or control modifies the equation it solves, and therefore the work it performs.

No matter how painstakingly and elegantly engineered and constructed such a practical realization of math may be, however, it is only so operationally flexible. If you want to significantly alter the equation(s) it solves, you must change its circuitry by replacing and/or reconnecting components and/or by adjusting whatever controls you may have included to tweak its operation on the fly.

The **Computer-Aided Circuit Design** chapter of this *Handbook* also characterizes electrical and electronic circuits as math machines. It does so for the purpose of exploring the use of personal computers — which are generic, arbitrarily and readily programmable and reprogrammable math machines — as engineering tools capable of simulating, through mathematical modeling, the electrical and electronic behavior of real-world circuits. The next logical expansion of the use of electronic computers in radio is to move beyond just *simulating* the mathematical signal-processing functions of circuits to *actually performing those functions in real time through mathematics applied in real time* — as physical circuitry has done for decades and still does, but better, and more flexibly, repeatably, and modifiably. Such real-time applied-math techniques, well-established and increasingly widely applied as *digital signal processing* (DSP) and fundamental to the design, evolution, and growing power of *software-defined radios* (SDRs), are likely already in use, or will soon be, in a radio you own. You can learn more about DSP and its techniques, applications and limitations in this *Handbook's* **DSP and Software Radio Design** chapter.

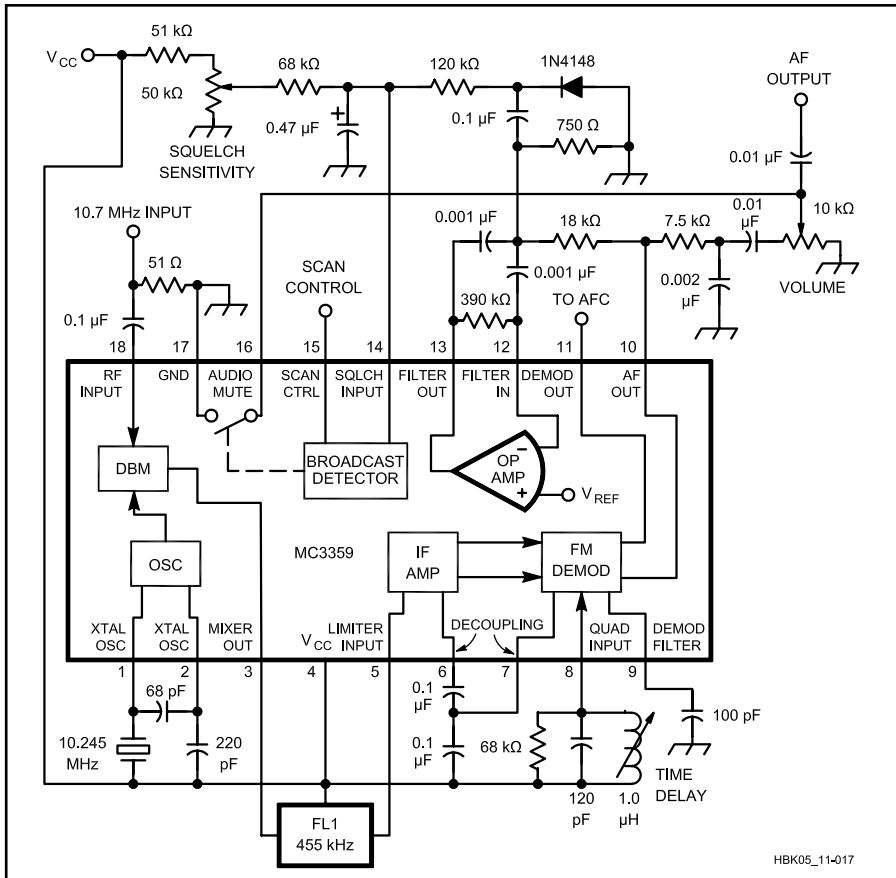


Fig 10.17 — The Freescale MC3359/NTE680 is one of many FM subsystem ICs that include limiter and quadrature-detection circuitry. The TIME DELAY coil is adjusted for minimum recovered-audio distortion.

10.4 Putting Mixers, Modulators and Demodulators to Work

Variations on relatively few mixer types provide mixing, modulation, and demodulation functions in the majority of Amateur Radio receivers, transmitters, and transceivers. Comparing their behaviors and specifications begins with a grounding in key mixer characteristics related to *dynamic range* — the span of signal strengths a circuit can handle without generating false signals that can interfere with communication.

10.4.1 Dynamic Range: Compression, Intermodulation and More

The output of a linear stage — including a mixer, which we want to act as a linear frequency shifter — tracks its input signal decibel by decibel, every 1-dB change in its

input signal(s) corresponding to an identical 1-dB output change. This is the stage's *first-order* response.

Because no device is perfectly linear, however, two or more signals applied to it generate sum and difference frequencies. These IMD products occur at frequencies and amplitudes that depend on the order of the IMD response as follows:

- *Second-order* IMD products change 2 dB for every decibel of input-signal change (this figure assumes that the IMD comes from equal-level input signals), and appear at frequencies that result from the simple addition and subtraction of input-signal frequencies. For example, assuming that its input bandwidth is sufficient to pass them, an amplifier subjected to signals at 6 and 8 MHz will produce second-order IMD products at 2 MHz

(8–6) and 14 MHz (8+6).

• *Third-order* IMD products change 3 dB for every decibel of input-signal change (this also assumes equal-level input signals), and appear at frequencies corresponding to the sums and differences of twice one signal's frequency plus or minus the frequency of another. Assuming that its input bandwidth is sufficient to pass them, an amplifier subjected to signals at 14.02 MHz (f_1) and 14.04 MHz (f_2) produces third-order IMD products at 14.00 ($2f_1 - f_2$), 14.06 ($2f_2 - f_1$), 42.08 ($2f_1 + f_2$) and 42.10 ($2f_2 + f_1$) MHz. The subtractive products (the 14.02 and 14.04-MHz products in this example) are close to the desired signal and can cause significant interference. Thus, third-order-IMD performance is of great importance in receiver mixers and RF amplifiers.

It can be seen that the IMD order determines how rapidly IMD products change level per unit change of input level. N th-order IMD products therefore change by n dB for every decibel of input-level change.

IMD products at orders higher than three can and do occur in communication systems, but their magnitudes are usually much smaller than the lower-order products. The second- and third-order products are most important in receiver front ends. In transmitters, third- and higher-odd-order products are important because they widen the transmitted signal.

10.4.2 Intercept Point

The second type of dynamic range concerns the receiver's *intercept point*, sometimes simply referred to as *intercept*. Intercept point is typically measured (or calculated by ex-

trapolation of the test results) by applying two or three signals to the antenna input, tuning the receiver to count the number of resulting spurious responses, and measuring their level relative to the input signal.

Because a device's IMD products increase more rapidly than its desired output as the input level rises, it might seem that steadily increasing the level of multiple signals applied to an amplifier would eventually result in equal desired-signal and IMD levels at the amplifier output. Real devices are incapable of doing this, however. At some point, every device *overloads*, and changes in its output level no longer equally track changes at its input. The device is then said to be operating in *compression*; the point at which its first-order response deviates from linearity by 1 dB is its *1-dB compression point*. Pushing the process to its limit ultimately leads to *saturation*, at which point input-signal increases no longer increase the output level.

The power level at which a device's second-order IMD products would equal its first-order output (a point that must be extrapolated because most likely the device is in compression by this point) is its *second-order intercept point*. Likewise, its *third-order intercept point* is the power level at which third-order responses would equal the desired signal. **Fig 10.18** graphs these relationships.

Input filtering can improve second-order intercept point; device nonlinearities determine the third, fifth and higher-odd-number intercept points. In preamplifiers and active mixers, third-order intercept point is directly related to dc input power; in passive switching mixers, to the local-oscillator power applied.

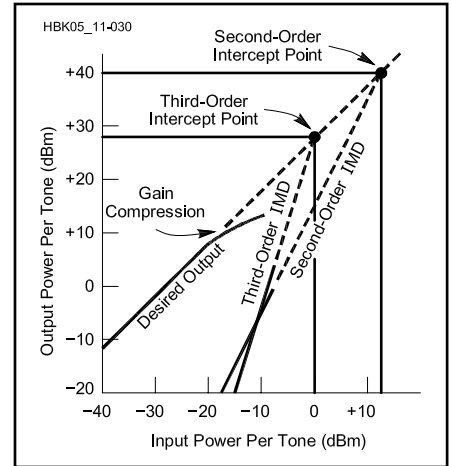


Fig 10.18 — A linear stage's output tracks its input decibel by decibel on a 1:1 slope — its *first-order* response. *Second-order intermodulation distortion (IMD)* products produced by two equal-level input signals ("tones") rise on a 2:1 slope — 2 dB for every 1 dB of input increase. *Third-order IMD* products likewise increase 3 dB for every 1 dB of increase in two equal tones. For each IMD order n , there is a corresponding *intercept point* IP_n at which the stage's first-order and n th order products are equal in amplitude. The first-order output of real amplifiers and mixers falls off (the device overloads and goes into *compression*) before IMD products can intercept it, but intercept point is nonetheless a useful, valid concept for comparing radio system performance. The higher an amplifier or mixer's intercept point, the stronger the input signals it can handle without overloading. The input and output powers shown are for purposes of example; every device exhibits its own particular IMD profile. (After W. Hayward, *Introduction to Radio Frequency Design*, Fig 6.17)

Testing and Calculating Intermodulation Distortion in Receivers

Second and third-order IMD can be measured using the setup of Fig 10.A1. The outputs of two signal generators are combined in a 3-dB hybrid coupler. Such couplers are available from various companies, and can be homemade. The 3-dB coupler should have low loss and should itself produce negligible IMD. The signal generators are adjusted to provide a known signal level at the output of the 3-dB coupler, say, -20 dBm for each of the two signals. This combined signal is then fed through a calibrated variable attenuator to the device under test. The shielding of the cables used in this system is important: At least 90 dB of isolation should exist between the high-level signal at the input of the attenuator and the low-level signal delivered to the receiver.

The measurement procedure is simple: adjust the variable attenuator to produce a signal of known level at the frequency of the expected IMD product ($f_1 \pm f_2$ for second-order, $2f_1 - f_2$ or $2f_2 - f_1$ for third-order IMD).

To do this, of course, you have to figure out what equivalent input signal level at the receiver's operating frequency corresponds to the level of the IMD product you are seeing. There are several ways of doing this. One way — the way used by the ARRL Lab in their receiver tests — uses the minimum discernible signal. This is defined as the signal level that produces a 3-dB increase in the receiver audio output power. That is, you measure the receiver output level with no input signal, then insert a signal at the operating frequency and adjust the level of this input signal until the output power is 3 dB greater than the no-signal power. Then, when doing the IMD measurement, you adjust the attenuator of Fig 10.A1 to cause a 3-dB increase in receiver output. The level of the IMD product is then the same as the MDS level you measured.

There are several things I dislike about doing the measurement this way. The problem is that you have to measure noise power. This can be difficult. First, you need an RMS voltmeter or audio power meter to do it at all. Second, the measurement varies with time (it's noise!), making it difficult to nail down a

number. And third, there is the question of the audio response of the receiver; its noise output may not be flat across the output spectrum. So I prefer to measure, instead of MDS, a higher reference level. I use the receiver's S meter as a reference. I first determine the input signal level it takes to get an S1 reading. Then, in the IMD measurement, I adjust the attenuator to again give an S1 reading. The level of the IMD product signal is now equal to the level I measured at S1. Note that this technique gives a different IMD level value than the MDS technique. That's OK, though. What we are trying to determine is the *difference* between the level of the signals applied to the receiver input and the level of the IMD product. Our calculations will give the same result whether we measure the IMD product at the MDS level, the S1 level or some other level.

An easy way to make the reference measurement is with the setup of Fig 10.A1. You'll have to switch in a lot of attenuation (make sure you have an attenuator with enough range), but doing it this way keeps all of the possible variations in the measurement fairly constant. And this way, the difference between the reference level and the input level needed to produce the desired IMD product signal level is simply the difference in attenuator settings between the reference and IMD measurements.

Calculating Intercept Points

Once we know the levels of the signals applied to the receiver input and the level of the IMD product, we can easily calculate the intercept point using the following equation:

$$IP_n = \frac{n \times P_A - P_{IMn}}{n - 1} \quad (A)$$

Here, n is the order, P_A is the receiver input power (of one of the input signals), P_{IMn} is the power of the IMD product signal,

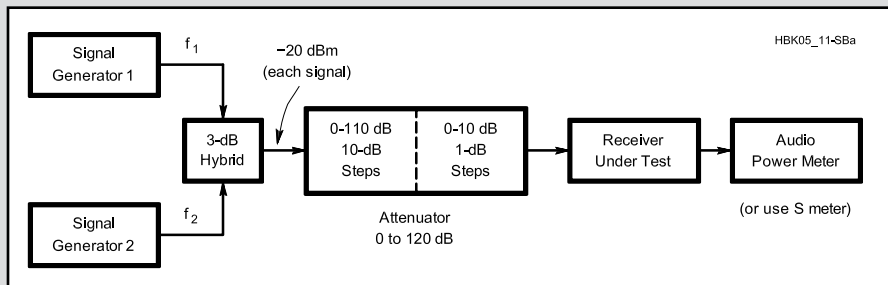


Fig 10.A1 — Test setup for measurement of IMD performance. Both signal generators should be types such as HP 608, HP 8640, or Rohde & Schwarz SMDU, with phase-noise performance of -140 dBc/Hz or better at 20 kHz from the signal frequency.

10.5 A Survey of Common Mixer Types

Depending on the application, frequency-mixer implementations may vary from the extremely simple to the complex. For example, a simple half-wave rectifier (a signal diode, such as a 1N34 [germanium] or a 1N914 [silicon]) can do the job (as we saw at Fig 10.9 in our discussion of full-carrier AM demodulation); this is an example of a *switching mixer*, in which mixing occurs as

one signal — in this case, the carrier, which in effect turns the diode on and off as its polarity reverses — interrupts the transmission of another (in demodulation of full-carrier AM, the sideband[s]).

A switch can be thought of as an amplifier toggled between two gain states, off and on, by a control signal. It turns out that a binary amplifier is not necessary; *any* device that

can be gain-varied in accordance with the amplitude of a control signal can serve as a frequency mixer.

10.5.1 Gain-Controlled Analog Amplifiers As Mixers

Fig 10.19 shows two analog-amplifier mixing arrangements commonly encoun-

and IP_n is the n th-order intercept point. All powers should be in dBm. For second and third-order IMD, equation A results in the equations:

$$IP_2 = \frac{2 \times P_A - P_{IM_2}}{2 - 1} \quad (B)$$

$$IP_3 = \frac{3 \times P_A - P_{IM_3}}{3 - 1} \quad (C)$$

You can measure higher-order intercept points, too.

Example Measurements

To get a feel for this process, it's useful to consider some actual measured values.

The first example is a Rohde & Schwarz model EK085 receiver with digital preselection. For measuring second-order IMD, signals at 6.00 and 8.01 MHz, at -20 dBm each, were applied at the input of the attenuator. The difference in attenuator settings between the reference measurement and the level needed to produce the desired IMD product signal level was found to be 125 dB. The calculation of the second-order IP is then:

$$IP_2 = \frac{2(-20 \text{ dBm}) - (-20 \text{ dBm} - 125 \text{ dB})}{2 - 1}$$

$$= -40 \text{ dBm} + 20 \text{ dBm} + 125 \text{ dB} = +105 \text{ dB}$$

For IP_3 , we set the signal generators for 0 dBm at the attenuator input, using frequencies of 14.00 and 14.01 MHz. The difference in attenuator settings between the reference and IMD measurements was 80 dB, so:

$$IP_3 = \frac{3(0 \text{ dBm}) - (0 \text{ dBm} - 80 \text{ dB})}{3 - 1}$$

$$= \frac{0 \text{ dBm} + 80 \text{ dB}}{2} = +40 \text{ dBm}$$

We also measured the IP_3 of a Yaesu FT-1000D at the same frequencies, using attenuator-input levels of -10 dBm. A difference in attenuator readings of 80 dB resulted in the calculation:

$$IP_3 = \frac{3(-10 \text{ dBm}) - (-10 \text{ dBm} - 80 \text{ dB})}{3 - 1}$$

$$= \frac{-30 \text{ dBm} + 10 \text{ dBm} + 80 \text{ dB}}{2}$$

$$= \frac{-20 \text{ dBm} + 80 \text{ dB}}{2}$$

$$= +30 \text{ dBm}$$

Synthesizer Requirements

To be able to make use of high third-order intercept points at these close-in spacings requires a low-noise LO synthesizer. You can estimate the required noise performance of the synthesizer for a given IP_3 value. First, calculate the value of receiver input power that would cause the IMD product to just come out of the noise floor, by solving equation A for P_A , then take the difference between the calculated value of P_A and the noise floor to find the dynamic range. Doing so gives the equation:

$$ID_3 = \frac{2}{3}(IP_3 + P_{\min}) \quad (D)$$

Where ID_3 is the third-order IMD dynamic range in dB and P_{\min} is the noise floor in dBm. Knowing the receiver bandwidth, BW (2400 Hz in this case) and noise figure, NF (8 dB) allows us to calculate the noise floor, P_{\min} :

$$P_{\min} = -174 \text{ dBm} + 10 \log(\text{BW}) + \text{NF}$$

$$= -174 \text{ dBm} + 10 \log(2400) + 8$$

$$= -132 \text{ dBm}$$

The synthesizer noise should not exceed the noise floor when an input signal is present that just causes an IMD product signal at the noise floor level. This will be accomplished if the synthesizer noise is less than:

$$ID + 10 \log(\text{BW}) = 114.7 \text{ dB} + 10 \log(2400)$$

$$= 148.5 \text{ dBc/Hz}$$

in the passband of the receiver. Such synthesizers hardly exist.
— *Dr Ulrich L. Rohde, N1UL*

tered in vacuum-tube-based vintage radio gear. In one (Fig 10.19A), the RF and LO signals are applied to the control grid of a pentode amplifier; in the second, the RF and LO signals are applied to different grids of a tube specifically designed to act as a mixer. RF, LO, and IF (RF and LO sum and difference frequencies) energy is present at the output of both. In both circuits, a double-

tuned transformer selects the desired output frequency and provides some reduction of unwanted components. The pentagrid mixer circuit (Fig 10.19A) provides better isolation between its RF and LO inputs because of its separate RF and LO-injection grids.

Fig 10.20 shows a simple JFET front end that consists of an AGCed amplifier (2N4393) and 2N3819 or 2N5454 mixer with source LO

injection. As in the tube circuits of Fig 10.19, RF, LO, and IF spectral components are all present in the output of this simple circuit.

Mixers based on FET cascode amplifiers (**Fig 10.21**) can provide excellent performance, and were common (in dual-gate MOSFET form) across at least two generations of Amateur Radio gear. As with the circuits presented in Figs 10.19 and 10.20,

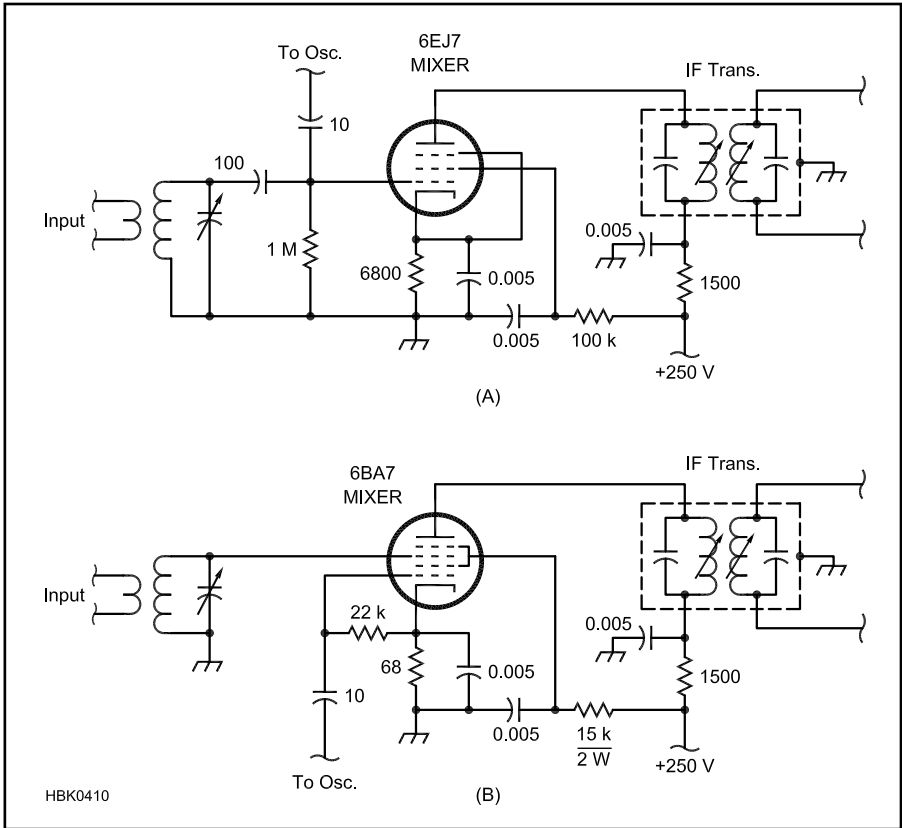


Fig 10.19 — Vacuum-tube amplifiers as frequency mixers. At A, RF and LO signals are applied to the control grid of a 6EJ7 pentode; at B, a RF and LO signals are applied to grids 1 and 3, respectively, of a 6BA7 pentagrid mixer. The 6BA7 and its relatives and similars (6A8, 6K8, 6SA7, 6SB7, and 6BE6, among others), designed specifically for frequency-conversion use, can be configured to generate their own LO signal; such a self-oscillating tube mixer is commonly called a *converter*.

RF, LO, and IF spectral components are present in the output of these mixers, and filtering is necessary to select the desired component and reduce unwanted ones.

10.5.2 Switching Mixers

Most modern radio mixers act more like fast analog switches than analog multipliers. In using a mixer as a fast switching device, we apply a square wave rather than a sine wave, and feed sine waves, audio, or other complex signals to the mixer’s RF input. The RF port serves as the mixer’s “linear” input, and therefore must preferably exhibit low intermodulation and harmonic distortion. Feeding a ± 1 -V square wave into the LO input alternately multiplies the linear input by +1 or -1. Multiplying the RF-port signal by +1 just transfers it to the output with no change. Multiplying the RF-port signal by -1 does the same thing, except that the signal inverts (flips 180° in phase). The LO port need not exhibit low intermodulation and harmonic distortion; all it has to do is preserve the fast rise and fall times of the switching signal.

REVERSING-SWITCH MIXERS

We can multiply a signal by a square wave without using an analog multiplier at all. All we need is a pair of balun transformers and four diodes (Fig 10.22A).

With no LO energy applied to the circuit, none of its diodes conduct. RF-port energy (1)

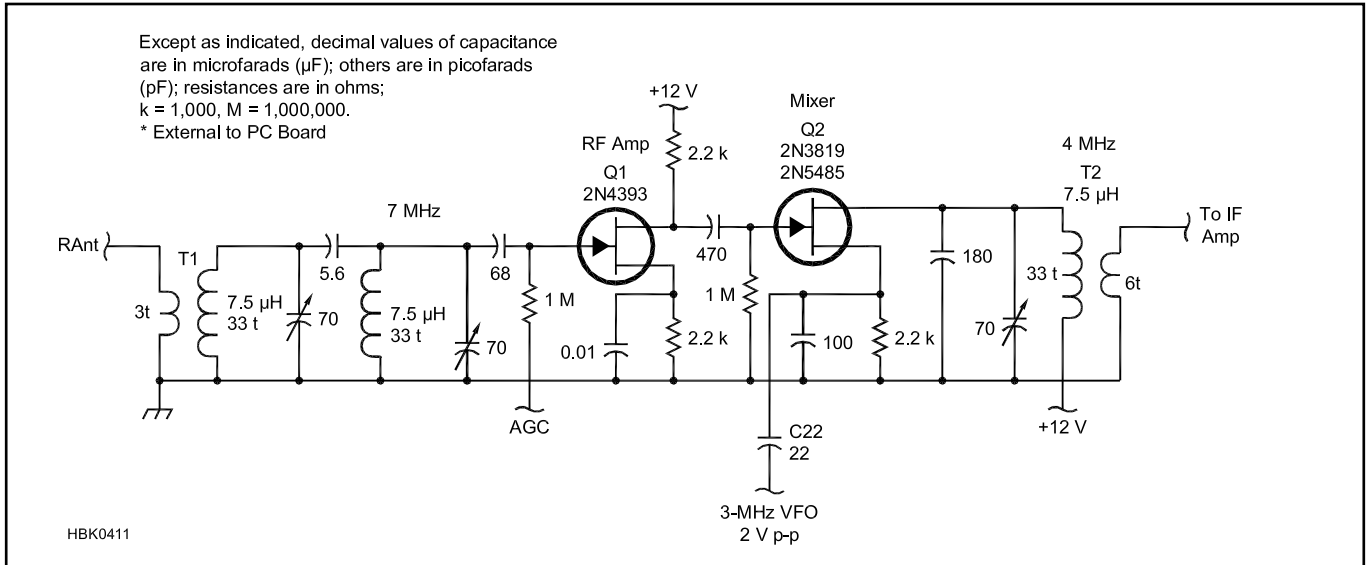


Fig 10.20 — This simple JFET receiver front end for 7 MHz features an AGCed RF amplifier (Q1, a 2N4393) and gain-controlled-amplifier mixer (Q2, a 2N3819 or 2N5485). LO voltage applied to the source of Q2 varies the stage’s gain to produce sum and difference outputs. T2 selects the product (4 MHz). Any JFET with a pinchoff voltage of -1 V is suitable for Q1; the point labeled AGC can be grounded to operate the RF stage at full gain. The inductors consist of no. 22 enameled wire wound on plastic bobbins used to hold the lower thread in “New Home” brand sewing machines; if toroidal equivalents are substituted, the turns ratios in T1 and T2 should be preserved. This circuit was described in “Build the No-Excuses QRP Transceiver,” December 2000 *QST*.

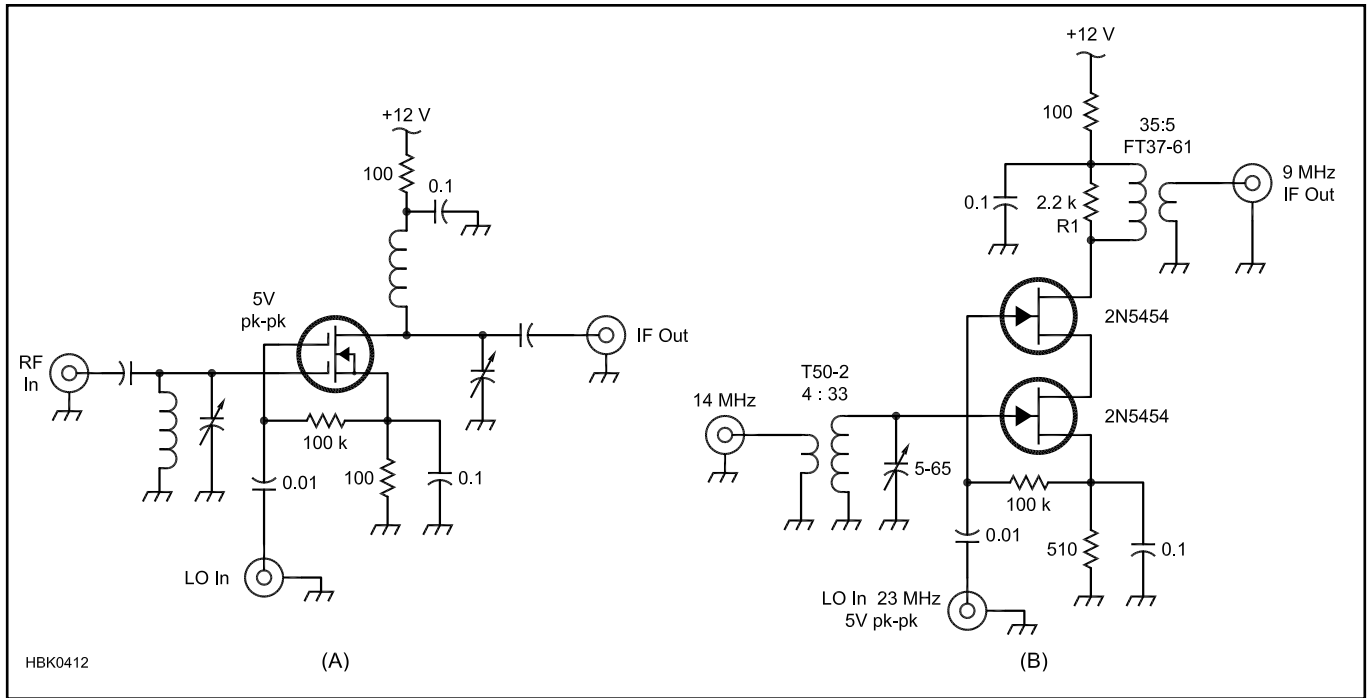


Fig 10.21 — Cascode FET amplifiers used as mixers, as presented by Hayward, Campbell and Larkin in *Experimental Methods in RF Design*. RF is applied to the gate of one device, and LO and a small positive bias are applied to the gate of the other; commercial applications of the MOSFET version commonly include positive bias on the RF-port gate. A dual-gate MOSFET is shown at A; suitable devices include the 3N187, 3N211, 40673 and BF998. (Internally, a dual-gate MOSFET consists of two single-gate MOSFETs in cascode.) Applying AGC rather than this circuit's combination of LO and source-derived bias to gate 2 of the MOSFET would turn this arrangement into one of the AGCed IF amplifiers used in commercial ham gear for over 40 years. Two JFETs in cascode are shown at B; suitable devices include the 2N4416, 2N3819, 2N5400-series parts, J310/U310 and MPF102, among others. R1 loads the circuit to eliminate oscillation at the RF-port resonance; it may be increased in value or eliminated altogether if the circuit is stable without it. Ratios accompanying the transformers at B convey the number of turns. Per *EMRFD*, the JFET circuit shown, biased for 3.4 mA at 12 V, operates with a conversion gain of 8 dB; a noise figure of 10 dB; and a third-order intercept point of +5 dBm.

can't make it to the LO port because there's no direct connection between the secondaries of T1 and T2, and (2) doesn't produce IF output because T2's secondary balance results in energy cancellation at its center tap, and because no complete IF-energy circuit exists through T2's secondary with both of its ends disconnected from ground.

Applying a square wave to the LO port biases the diodes so that, 50% of the time, D1 and D2 are on and D3 and D4 are reverse-biased off. This unbalances T2's secondary by leaving its upper wire floating and connecting its lower wire to ground through T1's secondary and center tap. With T2's secondary unbalanced, RF-port energy emerges from the IF port.

The other 50% of the time, D3 and D4 are on and D1 and D2 are reverse-biased off. This unbalances T2's secondary by leaving its lower wire floating, and connects its upper wire to ground through T1's secondary and center tap. With T2's secondary unbalanced, RF-port energy again emerges from the IF port — shifted 180° relative to the first case because T2's active secondary wires are now, in effect, transposed relative to its primary.

A reversing switch mixer's output spec-

trum is the same as the output spectrum of a multiplier fed with a square wave. This can be analyzed by thinking of the square wave in terms of its Fourier series equivalent, which consists of the sum of sine waves at the square wave frequency and all of its odd harmonics. The amplitude of the equivalent series' fundamental sine wave is $4/\pi$ times (2.1 dB greater than) the amplitude of the square wave. The amplitude of each harmonic is inversely proportional to its harmonic number, so the third harmonic is only $1/3$ as strong as the fundamental (9.5 dB below the fundamental), the 5th harmonic is only $1/5$ as strong (14 dB below the fundamental) and so on. The input signal mixes with each harmonic separately from the others, as if each harmonic were driving its own separate mixer, just as we illustrated with two sine waves in Fig 10.4. Normally, the harmonic outputs are so widely removed from the desired output frequency that they are easily filtered out, so a reversing-switch mixer is just as good as a sine-wave-driven analog multiplier for most practical purposes, and usually better — for radio purposes — in terms of dynamic range and noise.

An additional difference between multiplier and switching mixers is that the signal

flow in a switching mixer is reversible (that is, bilateral). It really only has one dedicated input (the LO input). The other terminals can be thought of as I/O (input/output) ports, since either one can be the input as long as the other is the output.

CONVERSION LOSS IN SWITCHING MIXERS

Fig 10.22B shows a perfect *multiplier* mixer. That is, the output is the product of the input signal and the LO. The LO is a perfect square wave. Its peak amplitude is ± 1.0 V and its frequency is 8 MHz. Fig 10.22C shows the output waveform (the product of two inputs) for an input signal whose value is 0 dBm and whose frequency is 2 MHz. Notice that for each transition of the square-wave LO, the sine-wave output waveform polarity reverses. There are 16 transitions during the interval shown, at each zero-crossing point of the output waveform. Fig 10.22D shows the mixer output spectrum. The principle components are at 6 MHz and 10 MHz, which are the sum and difference of the signal and LO frequencies. The amplitude of each of these is -3.9 dBm. Numerous other pairs of output frequencies occur that are also spaced 4 MHz

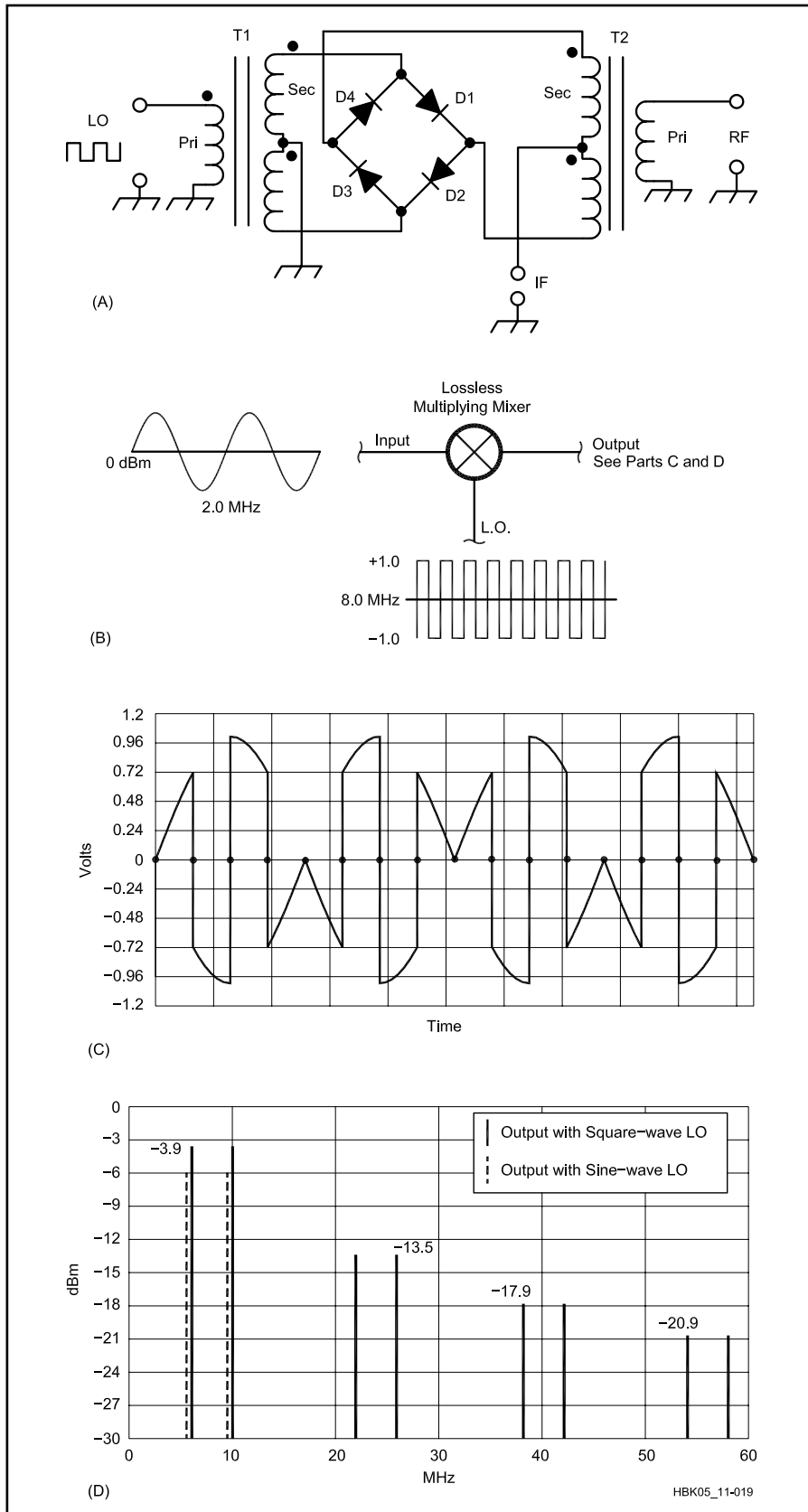


Fig 10.22 — Part A shows a general-purpose diode *reversing-switch* mixer. This mixer uses a square-wave LO and a sine-wave input signal. The text describes its action. Part B is an ideal *multiplier* mixer. The square-wave LO and a sine-wave input signal produce the output waveform shown in part C. The solid lines of part D show the output spectrum with the square-wave LO. The dashed lines show the output spectrum with a sine-wave LO.

apart and centered at 24 MHz, 40 MHz and 56 MHz and higher odd harmonics of 8 MHz. The ones shown are at -13.5 dBm, -17.9 dBm and -20.9 dBm. Because the mixer is lossless, the sum of all of the outputs must be exactly equal to the value of the input signal. As explained previously, this output spectrum can also be understood in terms of each of the odd-harmonic components of the square-wave LO operating independently.

If the mixer switched losslessly, such as in Fig 10.22A, with diodes that are perfect switches, the results would be mathematically identical to the above example. The diodes would commutate the input signal exactly as shown in Fig 10.22C.

Now consider the perfect multiplier mixer of Fig 10.22B with an LO that is a perfect sine wave with a peak amplitude of ± 1.0 V. In this case the dashed lines of Fig 10.22D show that only two output frequencies are present, at 6 MHz and 10 MHz (see also Fig 10.2). Each component now has a -6 dBm level. The product of the 0 dBm sine-wave input at one frequency and the ± 1.0 V sine-wave LO at another frequency (see equation 6 in this chapter) is the -3 dBm total output.

These examples illustrate the difference between the square-wave LO and the sine-wave LO, for a perfect multiplier. For the same peak value of both LO waves, the square-wave LO delivers 2.1 dB more output at 6 MHz and 10 MHz than the sine-wave LO. An actual diode mixer such as Fig 10.22A behaves more like a switching mixer. Its sine-wave LO waveform is considerably flattened by interaction between the diodes and the LO generator, so that it looks somewhat like a square wave. The diodes have nonlinearities, junction voltages, capacitances, resistances and imperfect parameter matching. (See the **RF Techniques** chapter.) Also, “re-mixing” of a diode mixer’s output with the LO and the input is a complicated possibility. The practical end result is that diode double-balanced mixers have a conversion loss, from input to each of the two major output frequencies, in the neighborhood of 5 to 6 dB. (Conversion loss is discussed in a later section.)

10.5.3 The Diode Double-Balanced Mixer: A Basic Building Block

The diode *double-balanced mixer* (DBM) is standard in many commercial, military and amateur applications because of its excellent balance and high dynamic range. DBMs can serve as mixers (including image-reject types), modulators (including single- and double-sideband, phase, biphase, and quadrature-phase types) and demodulators, limiters, attenuators, switches, phase detectors and frequency doublers. In some of these applica-

tions, they work in conjunction with power dividers, combiners and hybrids.

THE BASIC DBM CIRCUIT

We have already seen the basic diode DBM circuit (Fig 10.22A). In its simplest form, a DBM contains two or more unbalanced-to-balanced transformers and a Schottky-diode ring consisting of $4 \times n$ diodes, where n is the number of diodes in each leg of the ring. Each leg commonly consists of up to four diodes.

As we've seen, the degree to which a mixer is *balanced* depends on whether either, neither or both of its input signals (RF and LO) emerge from the IF port along with mixing products. An unbalanced mixer suppresses neither its RF nor its LO; both are present at its IF port. A single-balanced mixer suppresses its RF or LO, but not both. A double-balanced mixer suppresses its RF *and* LO inputs. Diode and transformer uniformity in the Fig 10.22 circuit results in equal LO potentials at the center taps of T1 and T2. The LO potential at T1's secondary center tap is zero (ground); therefore, the LO potential at the IF port is zero.

Balance in T2's secondary likewise results in an RF null at the IF port. The RF potential between the IF port and ground is therefore zero — except when the DBM's switching diodes operate, of course!

The Fig 10.22 circuit normally also affords high RF-IF isolation because its balanced diode switching precludes direct connections between T1 and T2. A diode DBM can be used as a current-controlled switch or attenuator by applying dc to its IF port, albeit with some distortion. This causes opposing diodes (D2 and D4, for instance) to conduct to a degree that depends on the current magnitude, connecting T1 to T2.

TRIPLE-BALANCED MIXERS

The triple-balanced mixer shown in Fig 10.23 (sometimes called a "double double-balanced mixer") is an extension of the single-diode-ring mixer. The diode rings are fed by power-splitting baluns at the RF and LO ports. An additional balun is added at the IF output. The circuit's primary advantage is that the IF output signal is balanced and isolated from the RF and LO ports over a large bandwidth — commercial mixer IF ranges of 0.5 to 10 GHz are typical.

It has higher signal-handling capability and dynamic range (a 1-dB compression point within 3 to 4 dB below LO signal levels) and lower intermodulation levels (by 10 dB or more) than a single-ring mixer. The triple-balanced mixer is used when a very wide IF range is required.

Adding the balancing transformer in the IF output path increases IF-to-LO and IF-to-RF isolation. This makes the conversion process much less sensitive to IF impedance mis-

Testing Mixer Performance

In order to make proper tests on mixers using signal generators, a hybrid coupler with at least 40 dB of isolation between the two input ports and an attenuator are required. The test set-up provided by DeMaw in *QST*, Jan 1981, shown in Fig 10.B1 is ideal for this. Two signal generators operating near 14 MHz are combined in the hybrid coupler, then isolated from the mixer under test (MUT) by a variable attenuator. The LO is supplied by a VFO covering 5.0-5.5 MHz and applied to the MUT through another variable attenuator. The output is isolated with another attenuator, amplified and applied to a spectrum analyzer for analysis.

Attenuation should be sufficient to provide isolation (minimum of 6 to 10 dB required) and to result in signal levels to the mixer under test (MUT) appropriate for the required testing and as suitable for the particular mixer device.

The 2N5109 amplifier shown may not be sufficient for extremely high intercept point tests as this stage may no longer be transparent (operate linearly) at high signal levels. For stability tests, it is recommended to have a reactive network at the output of the mixer for the sole purpose of checking whether the mixer can become unstable.

The two 14 MHz oscillators must have extremely low harmonic content and very low noise sidebands. A convenient oscillator circuit is provided in Fig 10.B2, based on a 1975 *Electronic Design* article. — Dr Ulrich L. Rohde, N1UL

DeMaw, W1FB, and Collins, AD0W, "Modern Receiver Mixers for High Dynamic Range," *QST*, Jan 1981, p 19.

U. Rohde, "Crystal Oscillator Provides Low Noise," *Electronic Design*, Oct 11, 1975.

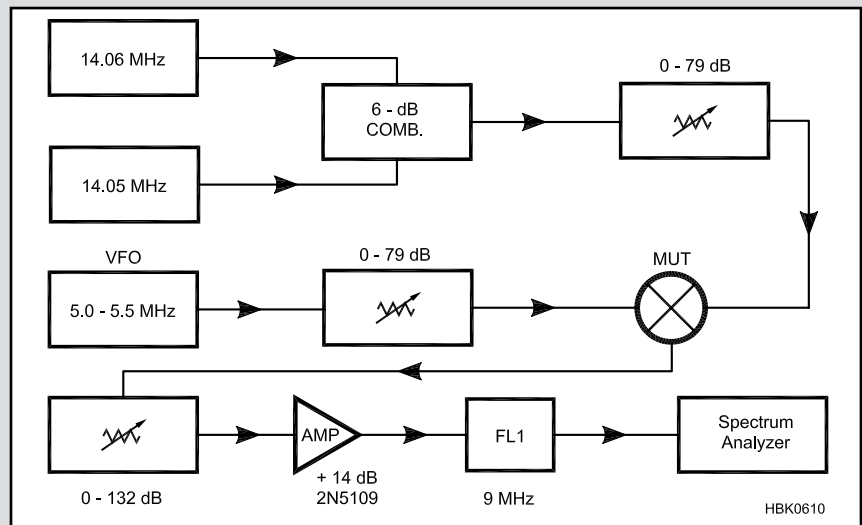


Fig 10.B1 — The equipment setup for measuring mixer performance at HF.

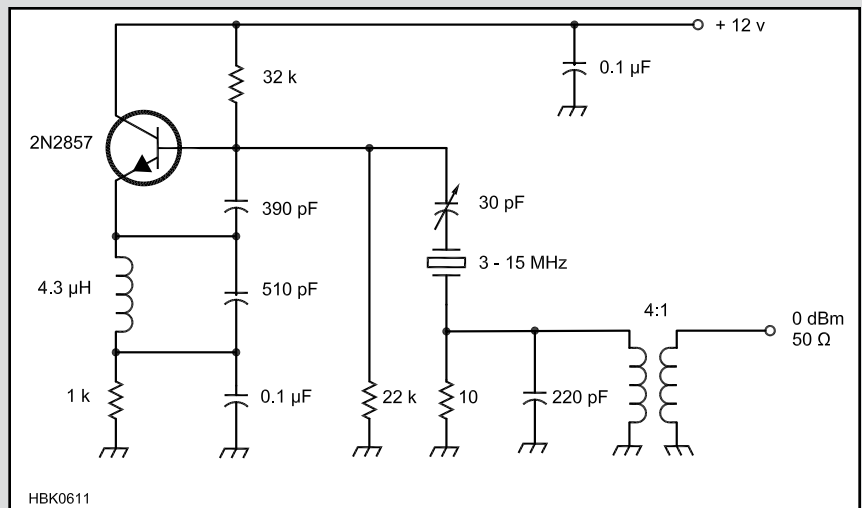


Fig 10.B2 — A low-noise VXO circuit for driving the LO port of the mixer under test in Figure 10.B1.

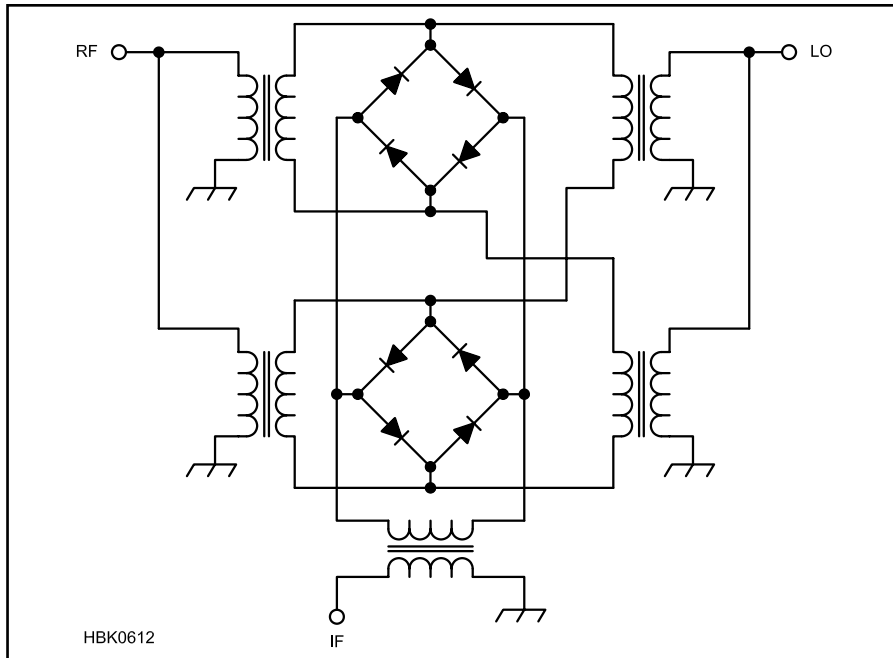


Fig 10.23 — The triple-balanced mixer uses a pair of diode rings and adds an additional balancing transformer to the IF port.

matches. Since the IF port is isolated from the RF and LO ports, the three frequency ranges (RF, LO and IF) can overlap. A disadvantage of IF transformer coupling is that a dc (or low-frequency) IF output is not available, so the triple-balanced mixer cannot be used for direct-conversion receivers.

DIODE DBM COMPONENTS

Commercially manufactured diode DBMs generally consist of a supporting base, a diode ring, two or more ferrite-core transformers commonly wound with two or three twisted-pair wires, encapsulating material, an enclosure.

Diodes

Hot-carrier (Schottky) diodes are the devices of choice for diode-DBM rings because of their low ON resistance, although ham-built DBMs for non-critical MF/HF use commonly use switching diodes like the 1N914 or 1N4148. The forward voltage drop, V_F , across each diode in the ring determines the mixer's optimum local-oscillator drive level. Depending on the forward voltage drop of each of its diodes and the number of diodes in each ring leg, a diode DBM will often be specified by the optimum LO drive level in dBm (typical values are 0, 3, 7, 10, 13, 17, 23 or 27). As a rule of thumb, the LO signal must be 20 dB stronger than the RF and IF signals for proper operation. This ensures that the LO signal, rather than the RF or IF signals, switches the mixer's diodes on and off — a critical factor in minimizing IMD and maximizing dynamic range.

Transformers

From the DBM schematic shown in Fig 10.22, it's clear that the LO and RF transformers are unbalanced on the input side and balanced on the diode side. The diode ends of the balanced ports are 180° out of phase throughout the frequency range of interest. This property causes signal cancellations that result in higher port-to-port isolation. **Fig 10.24A** plots LO-RF and LO-IF isolation versus frequency for Synergy Microwave's CLP-403 DBM, which is specified for +7 dBm LO drive level. Isolations on the order of 70 dB occur at the lower end of the band as a direct result of the balance among the four diode-ring legs and the RF phasing of the balanced ports.

As we learned in our discussion of generic switching mixers, transformer efficiency plays an important role in determining a mixer's conversion loss and drive-level requirement. Core loss, copper loss and impedance mismatch all contribute to transformer losses. Ferrite in toroidal, bead, balun (multi-hole) or rod form can serve as DBM transformer cores. Radio amateurs commonly use Fair-Rite Mix 43 ferrite ($\mu = 950$).

RF transformers combine lumped and distributed capacitance and inductance. The interwinding capacitance and characteristic impedance of a transformer's twisted wires sets the transformer's high-frequency response. The core's μ and size, and the number of winding turns, determine the transformer's lower frequency limit. Covering a specific frequency range requires a compromise in the

number of turns used with a given core. Increasing a transformer's core size and number of turns improves its low-frequency response. Cores may be stacked to meet low-frequency performance specs.

Inexpensive mixers operating up to 2 GHz most commonly use twisted trifilar (three-wire) windings made of a wire size between #36 and #32. The number of twists per unit length of wire determines a winding's characteristic impedance. Twisted wires are analogous to transmission lines. The transmission-line effect predominates at the higher end of a transformer's frequency range.

DIODE DBMS IN PRACTICE

Important DBM specifications include conversion loss and amplitude flatness across the required IF bandwidth; variation of conversion loss with input frequency; variation of conversion loss with LO drive, 1-dB compression point; LO-RF, LO-IF and RF-IF isolation; intermodulation products; noise figure (usually within 1 dB of conversion loss); port SWR; and dc offset, which is directly related to isolation among the RF, LO and IF ports. Most of these parameters also apply to other mixer types.

Conversion Loss

Fig 10.24B shows conversion loss versus intermediate frequency in a typical DBM. The curves show conversion loss for two fixed RF-port signals, one at 100 kHz and

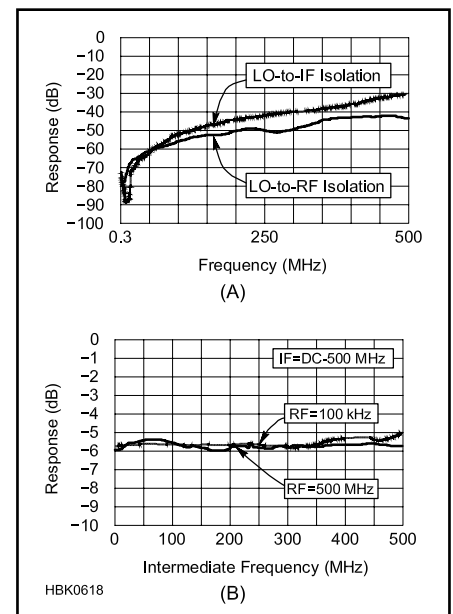


Fig 10.24 — The port-to-port isolation of a diode DBM depends on how well its diodes match and how well its transformers are balanced. (A) shows LO-IF and LO-RF isolation versus frequency and (B) shows conversion loss for a typical diode DBM, the Synergy Microwave CLP-403 mixer. In (B), LO driver level is +7 dBm.

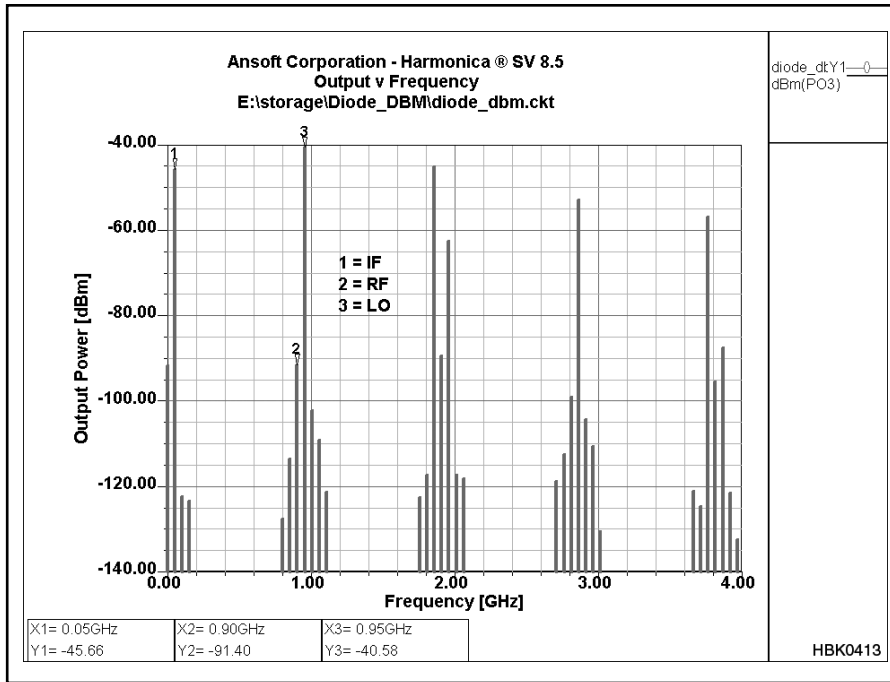


Fig 10.25— Simulated diode-DBM output spectrum with four LO harmonics evaluated. Note that the desired output products (the highest two products, RF – LO and RF + LO) emerge at a level 5 to 6 dB below the mixer’s RF input (–40 dBm). This indicates a mixer conversion loss of 5 to 6 dB. (*Serenade SV8.5* simulation.)

the another at 500 MHz, while varying the LO frequency from 100 kHz to 500 MHz.

Fig 10.25 graphs a diode DBM’s simulated output spectrum. Note that the RF input (900 MHz) is –40 dBm and the desired IF output (51 MHz, the frequency difference between the RF and LO signals) is –46 dBm, implying a conversion loss of 6 dB. Very nearly the same value (5 dB) applies to the sum of both signals (RF + LO). We minimize a diode DBM’s conversion loss, noise figure and intermodulation by keeping its LO drive high enough to switch its diodes on fully and rapidly. Increasing a mixer’s LO level beyond that sufficient to turn its switching devices all the way on merely makes them dissipate more LO power without further improving performance.

Insufficient LO drive results in increased noise figure and conversion loss. IMD also increases because RF-port signals have a greater chance to control the mixer diodes when the LO level is too low.

APPLYING DIODE DBMS

At first glance, applying a diode DBM is easy: We feed the signal(s) we want to frequency-shift (at or below the maximum level called for in the mixer’s specifications, such as –10 dBm for the Mini-Circuits SBL-1 and TUF-3, and Synergy Microwave S-1, popular 7 dBm LO power parts) to the DBM’s RF port, feed the frequency-shifting signal (at the proper level) to the LO port, and extract

the sum and difference products from the mixer’s IF port.

There’s more to it than that, however, because diode DBMs (along with most other modern mixer types) are *termination-sensitive*. That is, their ports — particularly their IF (output) ports — must be resistively terminated with the proper impedance (commonly 50 Ω, resistive). A wideband, resistive output termination is particularly critical if a mixer is to achieve its maximum dynamic range in receiving applications. Such a load can be achieved by:

- Terminating the mixer in a 50-Ω resistor or attenuator pad (a technique usually avoided in receiving applications because it directly degrades system noise figure);
- Terminating the mixer with a low-noise, high-dynamic-range *post-mixer amplifier* designed to exhibit a wideband resistive input impedance; or
- Terminating the mixer in a *diplexer*, a frequency-sensitive signal splitter that appears as a two-terminal resistive load at its input while resistively dissipating unwanted outputs and passing desired outputs through to subsequent circuitry.

Termination-insensitive mixers are available, but this label can be misleading. Some termination-insensitive mixers are nothing more than a termination-sensitive mixer packaged with an integral post-mixer amplifier. True termination-insensitive mixers are less common and considerably more

elaborate. Amateur builders will more likely use one of the many excellent termination-sensitive mixers available in connection with a diplexer, post-mixer amplifier or both.

Fig 10.26 shows one diplexer implementation. In this approach, L1 and C1 form a series-tuned circuit, resonant at the desired IF, that presents low impedance between the diplexer’s input and output terminals at the IF. The high-impedance parallel-tuned circuit formed by L2 and C2 also resonates at the desired IF, keeping desired energy out of the diplexer’s 50-Ω load resistor, R1.

The preceding example is called a *band-pass diplexer*. **Fig 10.27** shows another type: a *high-pass/low-pass diplexer* in which each inductor and capacitor has a reactance of 70.7 Ω at the 3-dB cutoff frequency. It can be used after a “difference” mixer (a mixer in which the IF is the difference between the signal frequency and LO) if the desired IF and its image frequency are far enough apart so that the image power is “dumped” into the network’s 51-Ω resistor. (For a “summing” mixer — a mixer in which the IF is the sum of the desired signal and LO — interchange the 50-Ω idler load resistor and the diplexer’s “50-Ω Amplifier” connection.) Richard Weinreich, KØUVU, and R. W. Carroll described this circuit in November 1968 *QST* as one of several absorptive TVI filters.

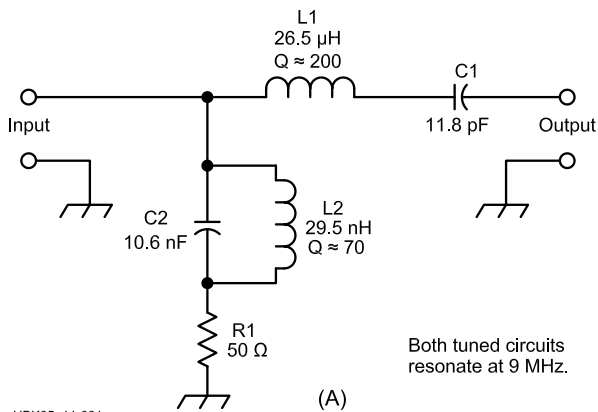
Fig 10.28 shows a BJT post-mixer amplifier design made popular by Wes Hayward, W7ZOI, and John Lawson, K5IRK. RF feedback (via the 1-kΩ resistor) and emitter degeneration (the ac-coupled 5.6-Ω emitter resistor) work together to keep the stage’s input impedance near 50 Ω and uniformly resistive across a wide bandwidth. Performance comparable to the Fig 10.28 circuit can be obtained at MF and HF by using paralleled 2N3904s as shown in **Fig 10.29**.

AMPLITUDE MODULATION WITH A DBM

We can generate DSB, suppressed-carrier AM with a DBM by feeding the carrier to its RF port and the modulating signal to the IF port. This is a classical *balanced modulator*, and the result — sidebands at radio frequencies corresponding to the carrier signal plus audio and the RF signal minus audio — emerges from the DBM’s LO port. If we also want to transmit some carrier along with the sidebands, we can dc-bias the IF port (with a current of 10 to 20 mA) to upset the mixer’s balance and keep its diodes from turning all the way off. (This technique is sometimes used for generating CW with a balanced modulator otherwise intended to generate DSB as part of an SSB-generation process.) **Fig 10.30** shows a more elegant approach to generating full-carrier AM with a DBM.

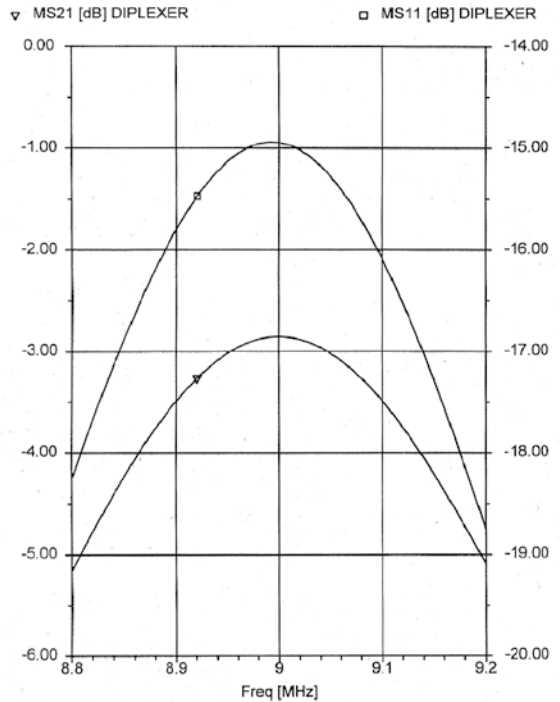
As we saw earlier when considering the many faces of AM, two DBMs, used in con-

Fig 10.26 — A diplexer resistively terminates energy at unwanted frequencies while passing energy at desired frequencies. This band-pass diplexer (A) uses a series-tuned circuit as a selective pass element, while a high-C parallel-tuned circuit keeps the network's terminating resistor R1 from dissipating desired-frequency energy. Computer simulation of the diplexer's response with *ARRL Radio Designer 1.0* characterizes the diplexer's insertion loss and good input match from 8.8 to 9.2 MHz (B) and from 1 to 100 MHz (C); and the real and imaginary components of the diplexer's input impedance from 8.8 to 9.2 MHz with a 50- Ω load at the diplexer's output terminal (D). The high-C, low-L nature of the L2-C2 circuit requires that C2 be minimally inductive; a 10,000-pF chip capacitor is recommended. This diplexer was described by Ulrich L. Rohde and T. T. N. Bucher in *Communications Receivers: Principles and Design*.



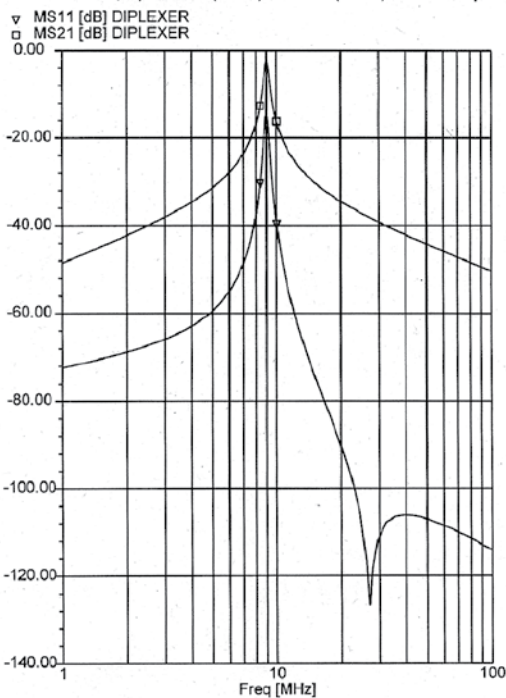
HBK05_11-031

15-AUG-94 COMPACT SOFTWARE - ARRL Radio Designer 1.0 16:43:32
 File: c:\data\word\books\hbk95\mixers\fig15-31.ctk
 Simulation, Diplexer Gain (MS21) and Input Match in 9-MHz Region



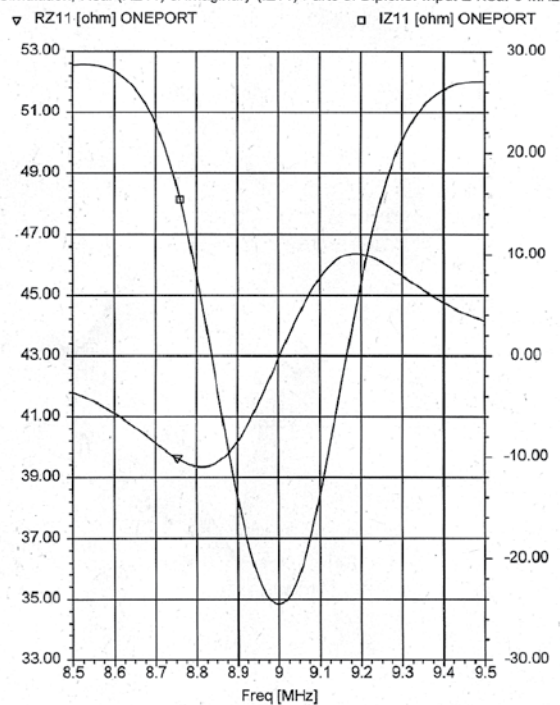
(B)

15-AUG-94 COMPACT SOFTWARE - ARRL Radio Designer 1.0 16:43:29
 File: c:\data\word\books\hbk95\mixers\fig15-31.ctk
 Simulation, Input Match (MS11) and Gain (MS21) of 9-MHz Diplexer



(C)

15-AUG-94 COMPACT SOFTWARE - ARRL Radio Designer 1.0 16:43:31
 File: c:\data\word\books\hbk95\mixers\fig15-31.ctk
 Simulation, Real (RZ11) & Imaginary (IZ11) Parts of Diplexer Input Z Near 9 MHz



(D)

junction with carrier and audio phasing, can be used to generate SSB, suppressed-carrier AM. Likewise, two DBMs can be used with RF and LO phasing as an image-reject mixer.

PHASE DETECTION WITH A DBM

As we saw in our exploration of quadrature detection, applying two signals of equal frequency to a DBM's LO and RF ports produces an IF-port dc output proportional to the cosine of the signals' phase difference (Fig 10.31). This assumes that the DBM has a dc-coupled IF port, of course. If it doesn't — and some DBMs don't — phase-detector operation is out. Any dc output offset introduces error

into this process, so critical phase-detection applications use low-offset DBMs optimized for this service.

BIPHASE-SHIFT KEYING MODULATION WITH A DBM

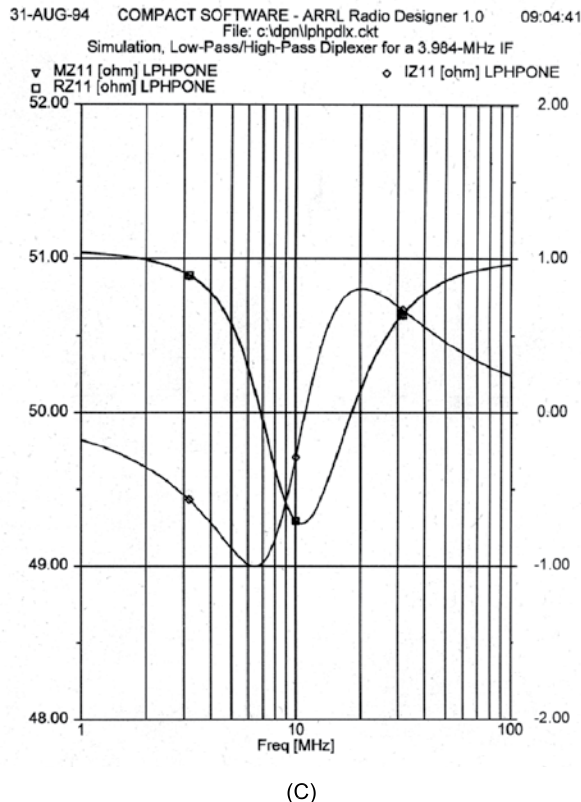
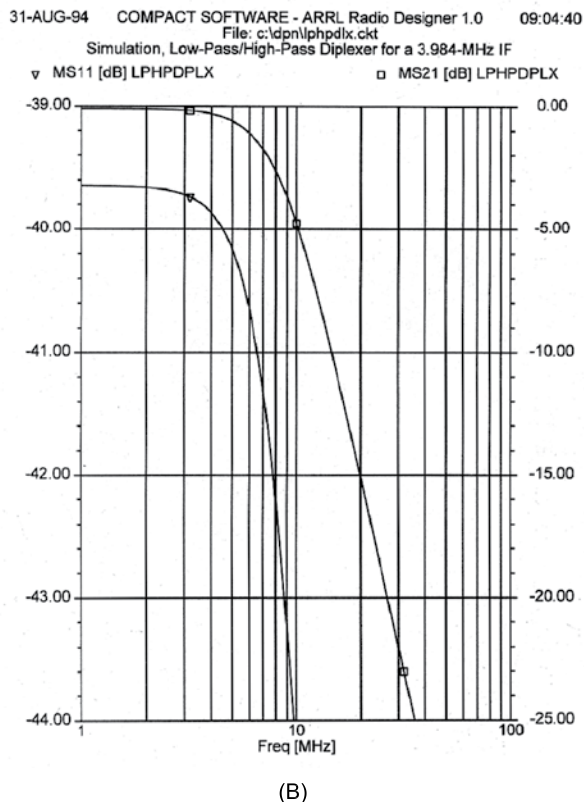
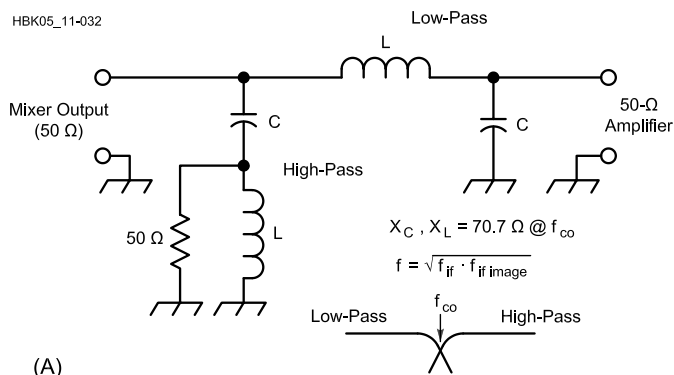
Back in our discussion of square-wave mixing, we saw how multiplying a switching mixer's linear input with a square wave causes a 180° phase shift during the negative part of the square wave's cycle. As Fig 10.32 shows, we can use this effect to produce *bi-phase-shift keying (BPSK)*, a digital system that conveys data by means of carrier phase reversals. A related system, *quadrature*

phase-shift keying (QPSK) uses two DBMs and phasing to convey data by phase-shifting a carrier in 90° increments.

10.5.4 Active Mixers — Transistors as Switching Elements

We've covered diode DBMs in depth because their home-buildability, high performance and suitability for direct connection into 50-Ω systems makes them attractive to Amateur Radio builders. The abundant availability of high-quality manufactured diode mixers at reasonable prices makes them

Fig 10.27 — All of the inductors and capacitors in this high-pass/low-pass diplexer (A) exhibit a reactance of 70.7 Ω at its tuned circuits' 3-dB cutoff frequency (the geometric mean of the IF and IF image). B and C show ARRL Radio Designer simulations of this circuit configured for use in a receiver that converts 7 MHz to 3.984 MHz using a 10.984-MHz LO. The IF image is at 17.984 MHz, giving a 3-dB cutoff frequency of 8.465 MHz. The inductor values used in the simulation were therefore 1.33 μH (Q = 200 at 25.2 MHz); the capacitors, 265 pF (Q = 1000). This drawing shows idler load and "50-Ω Amplifier" connections suitable for a receiver in which the IF image falls at a frequency above the desired IF. For applications in which the IF image falls below the desired IF, interchange the 50-Ω idler load resistor and the diplexer's "50-Ω Amplifier" connection so the idler load terminates the diplexer low-pass filter and the 50-Ω amplifier terminates the high-pass filter.



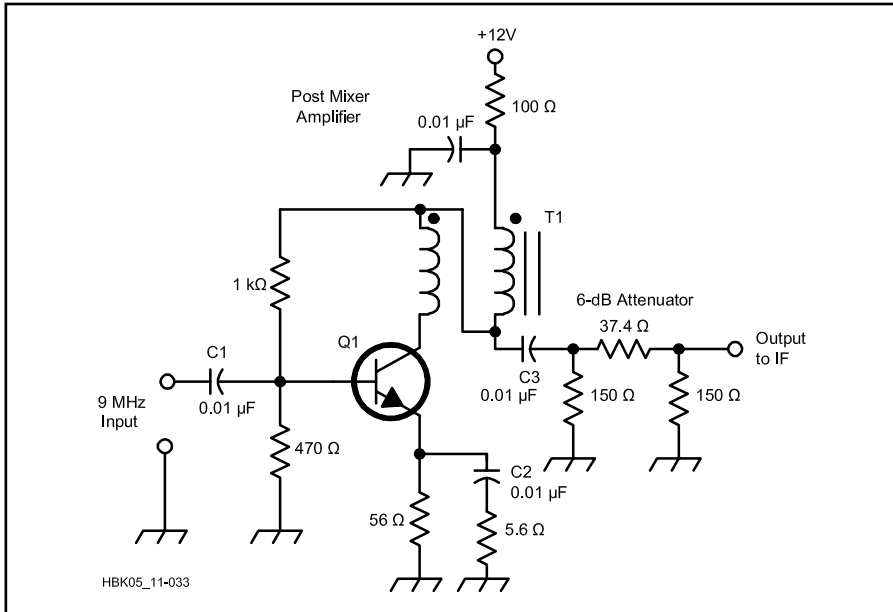


Fig 10.28 — The post-mixer amplifier from Hayward and Lawson's *Progressive Communications Receiver* (November 1981 *QST*). This amplifier's gain, including the 6-dB loss of the attenuator pad, is about 16 dB; its noise figure, 4 to 5 dB; its output intercept, 30 dBm. The 6-dB attenuator is essential if a crystal filter follows the amplifier; the pad isolates the amplifier from the filter's highly reactive input impedance. This circuit's input match to 50 Ω below 4 MHz can be improved by replacing 0.01-μF capacitors C1, C2 and C3 with low-inductance 0.1-μF units (chip capacitors are preferable). Q1 — TO-39 CATV-type bipolar transistor, $f_T = 1$ GHz or greater. 2N3866, 2N5109, 2SC1252, 2SC1365 or MRF586 suitable. Use a small heat sink on this transistor. T1 — Broadband ferrite transformer, ≈ 42 μH per winding: 10 bifilar turns of #28 enameled wire on an FT 37-43 core.

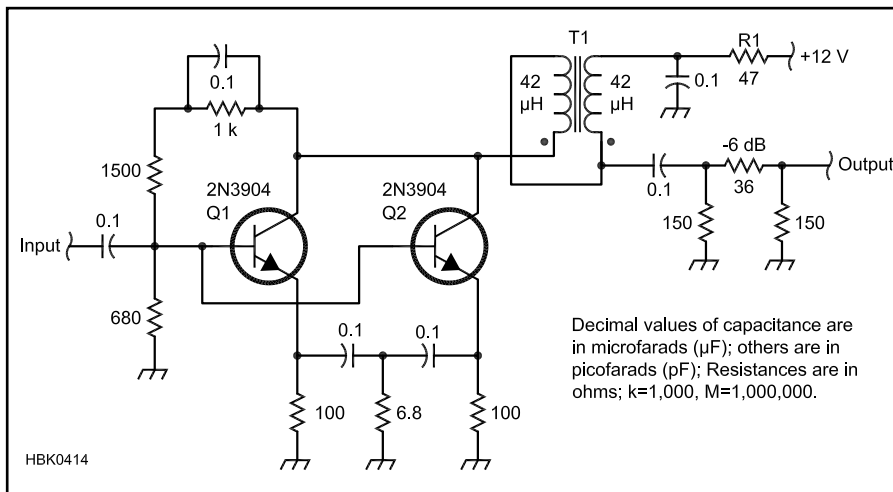


Fig 10.29 — At MF and HF, paralleled 2N3904 BJTs can provide performance comparable to that of the Fig 10.28 circuit with sufficient attention paid to device standing current, here set at ≈ 30 mA for the pair. The value of decoupling resistor R1 is critical in that small changes in its value cause a relatively large change in the 2N3904s' bias point. This circuit is part of the EZ-90 Receiver, described by Hayward, Campbell and Larkin in *Experimental Methods in RF Design*.

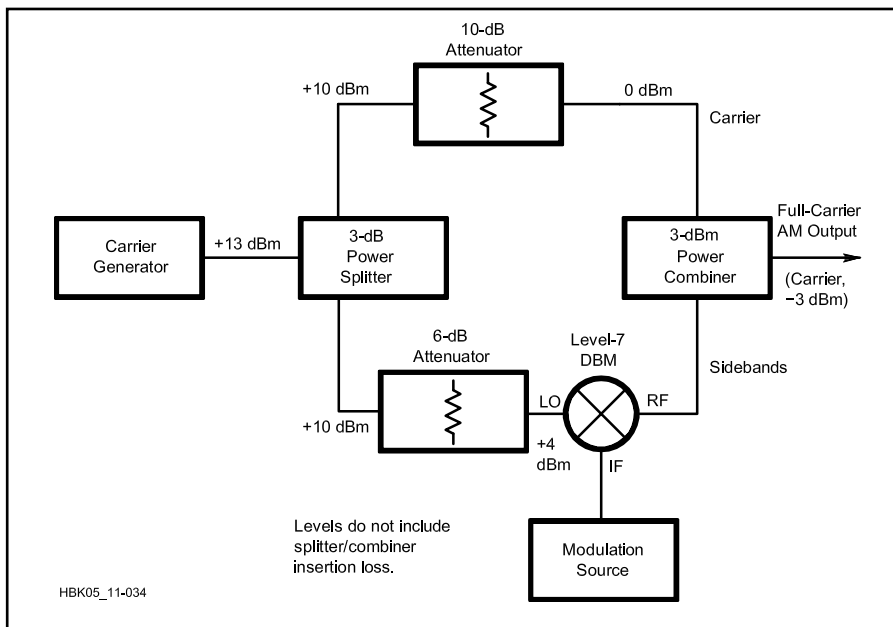


Fig 10.30 — Generating full-carrier AM with a diode DBM. A practical modulator using this technique is described in *Experimental Methods in RF Design*.

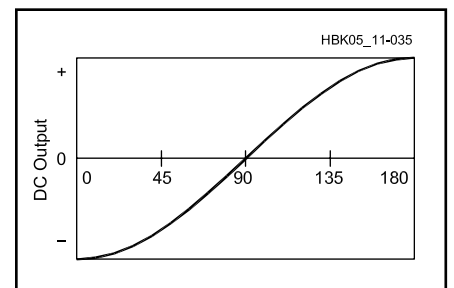


Fig 10.31 — A phase detector's dc output is the cosine of the phase difference between its input and reference signals.

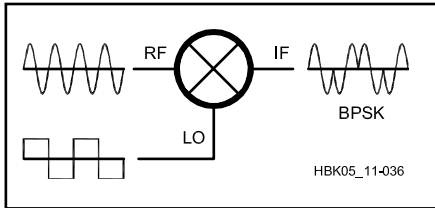


Fig 10.32 — Mixing a carrier with a square wave generates biphase-shift keying (BPSK), in which the carrier phase is shifted 180° for data transmission. In practice, as in this drawing, the carrier and data signals are phase-coherent so the mixer switches only at carrier zero crossings.

excellent candidates for home construction projects. Although diode DBMs are common in telecommunications as a whole, their conversion loss and relatively high LO power requirement have usually driven the manufacturers of high-performance MF/HF Amateur Radio receivers and transceivers to other solutions. Those solutions have generally involved single- or double-balanced FET mixers — MOSFETs in the late 1970s and early 1980s, JFETs from the early 1980s to date. A comprehensive paper that explores the differences between various forms of active mixers, “Performance Capabilities of Active Mixers,” by Ulrich Rohde, NIUL, is included on the CD-ROM accompanying this *Handbook*.

Many of the JFET designs are variations of a single-balanced mixer circuit introduced to *QST* readers in 1970! **Fig 10.33** shows the circuit as it was presented by William Sabin in “The Solid-State Receiver,” *QST*, July 1970. Two 2N4416 JFETs operate in a common-source configuration, with push-pull RF input and parallel LO drive. **Fig 10.34** shows a similar circuit as implemented in the ICOM IC-765 transceiver. In this version, the JFETs (2SK125s) operate in common-gate, with the LO applied across a 220- Ω resistor between the gates and ground.

Current state of the art for active mixers in the HF through GHz range replaces discrete device designs with integrated designs such as the Analog Devices AD8342 (www.analog.com). Using an IC greatly improves matching of the active devices, improving circuit balance. The AD8342 has a conversion gain of 3.7 dB, a noise figure of 12.2 dB, and an input IP₃ of 22.7 dBm. The device operates with a single-voltage power supply and is well-suited to interface with digital hardware, such as for SDR applications. Reference circuits for applications at HF and VHF/UHF are provided in the device’s datasheet.

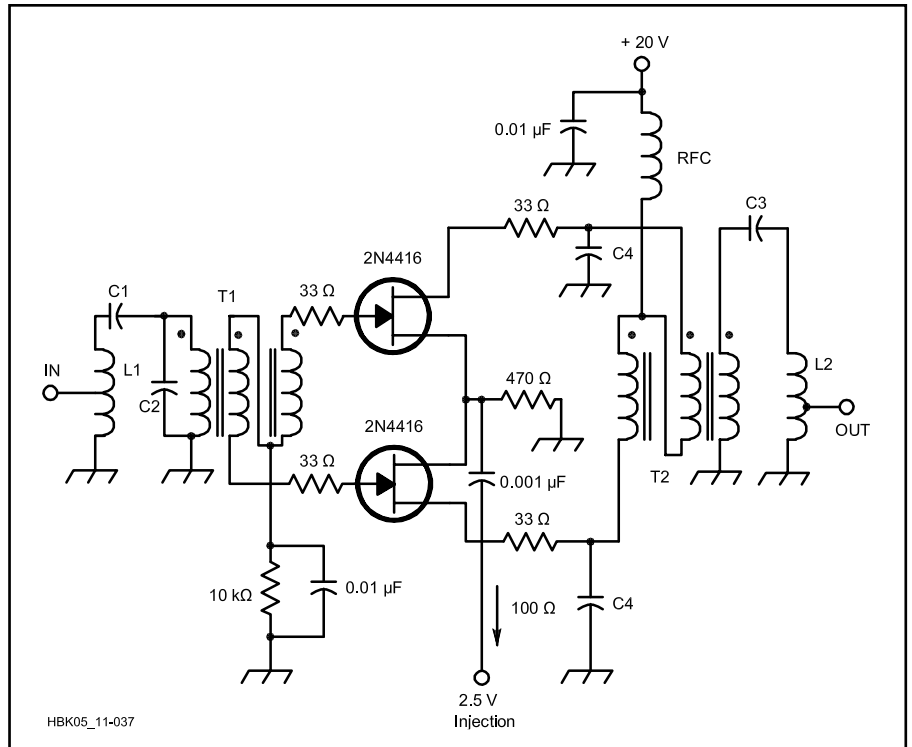


Fig 10.33 — Two 2N4416 JFETs provide high dynamic range in this mixer circuit from Sabin, *QST*, July 1970. L1, C1 and C2 form the input tuned circuit; L2, C3 and C4 tune the mixer output to the IF. The trifilar input and output transformers are broadband transmission-line types.

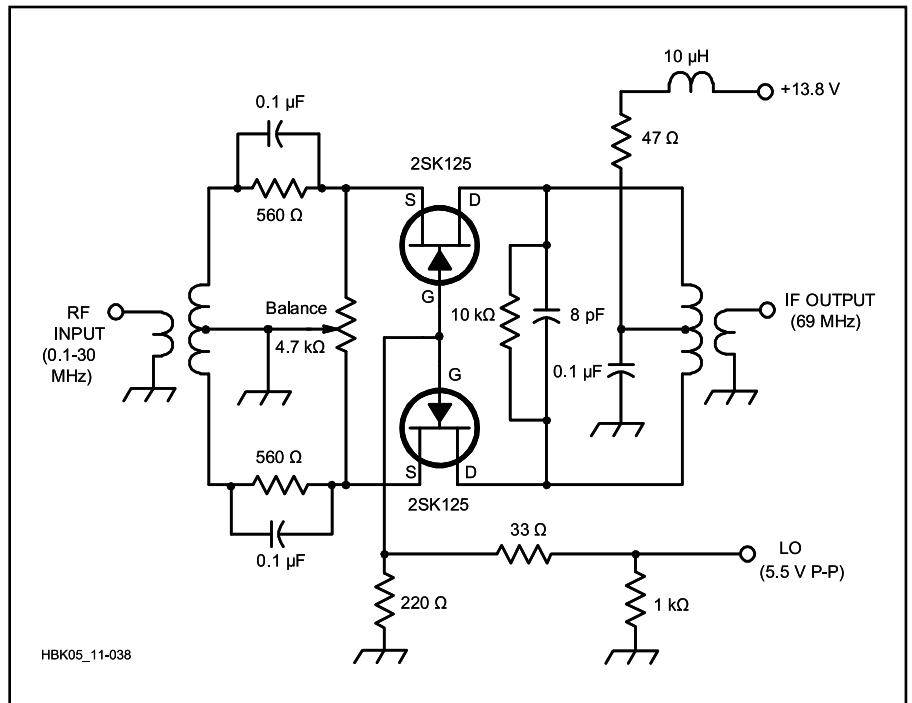


Fig 10.34 — The ICOM IC-765’s single-balanced 2SK125 mixer achieves a high dynamic range (per *QST* Product Review, an IP₃ of 10.5 dBm at 14 MHz with preamp off). The first receive mixer in many commercial Amateur Radio transceiver designs of the 1980s and 1990s used a pair of 2SK125s or similar JFETs in much this way.

10.5.5 The Tayloe Mixer

[The following description of the Tayloe Product Detector (a.k.a. — the Tayloe Mixer) is adapted from the July 2002 QEX article, “Software-Defined Radio For the Masses, Part 1” by Gerald Youngblood AC5OG. — Ed.]

The beauty of the Tayloe detector (see references by Tayloe) is found in both its design elegance and its exceptional performance. In its simplest form, you can build a complete quadrature downconverter with only three or four ICs (less the local oscillator) at a cost of less than \$10.

Fig 10.35 illustrates a single-balanced version of the Tayloe detector. It can be visualized as a four-position rotary switch revolving at a rate equal to the carrier frequency. The 50-Ω antenna impedance is connected to the rotor and each of the four switch positions is connected to a *sampling capacitor*. Since the switch rotor is turning at exactly the RF carrier frequency, each capacitor will track the carrier’s amplitude for exactly one-quarter of the cycle and will then hold its value for the remainder of the cycle. The rotating switch will therefore sample the signal at 0°, 90°, 180° and 270°, respectively.

As shown in Fig 10.36, the 50-Ω impedance of the antenna and the sampling capacitors form an R-C low-pass filter during the period when each respective switch is turned on. Therefore, each sample represents the integral or average voltage of the signal during its respective one-quarter cycle. When the switch is off, each sampling capacitor will hold its value until the next revolution. If the RF carrier and the rotating frequency were exactly in phase, the output of each capacitor will be a dc level equal to the average value of the sample.

If we differentially sum outputs of the 0° and 180° sampling capacitors with an op amp (see Fig 10.35), the output would be a dc voltage equal to two times the value of the individually sampled values when the switch rotation frequency equals the carrier frequency. Imagine, 6 dB of noise-free gain! The same would be true for the 90° and 270° capacitors as well. The 0°/180° summation forms the *I* channel and the 90°/270° summation forms the *Q* channel of a quadrature downconversion. (See the **Modulation** chapter for more information on I/Q modulation.)

As we shift the frequency of the carrier away from the sampling frequency, the values of the inverting phases will no longer be dc levels. The output frequency will vary according to the “beat” or difference frequency between the carrier and the switch-rotation frequency to provide an accurate representation of all the signal components converted to baseband.

Fig 10.37 is the schematic for a simple, single-balanced Tayloe detector. It consists

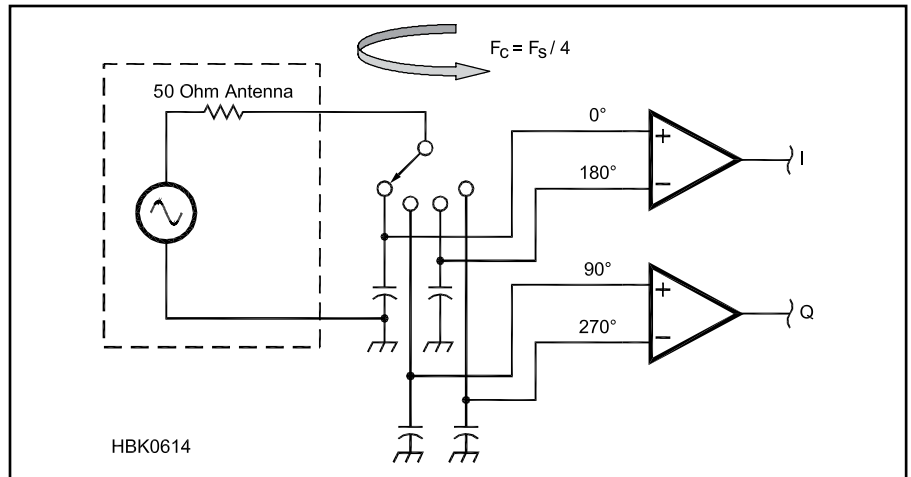


Fig 10.35 — Tayloe detector: The switch rotates at the carrier frequency so that each capacitor samples the signal once each revolution. The 0° and 180° capacitors differentially sum to provide the in-phase (*I*) signal and the 90° and 270° capacitors sum to provide the quadrature (*Q*) signal.

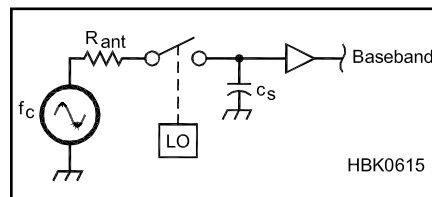


Fig 10.36 — Track-and-hold sampling circuit: Each of the four sampling capacitors in the Tayloe detector form an RC track-and-hold circuit. When the switch is on, the capacitor will charge to the average value of the carrier during its respective one-quarter cycle. During the remaining three-quarters cycle, it will hold its charge. The local-oscillator frequency is equal to the carrier frequency so that the output will be at baseband.

of a PI5V331, 1:4 FET demultiplexer (an analog switch) that switches the signal to each of the four sampling capacitors. The 74AC74 dual flip-flop is connected as a divide-by-four Johnson counter to provide the two-phase clock to the demultiplexer chip. The outputs of the sampling capacitors are differentially summed through the two LT1115 ultra-low-noise op amps to form the *I* and *Q* outputs, respectively.

Note that the impedance of the antenna forms the input resistance for the op-amp gain as shown in Equation 17. This impedance may vary significantly with the actual antenna. In a practical receiver, a buffer amplifier should be used to stabilize and control the impedance presented to the mixer.

Since the duty cycle of each switch is 25%, the effective resistance in the RC network is the antenna impedance multiplied by four in the op-amp gain formula:

$$G = \frac{R_f}{4R_{ant}} \quad (17)$$

For example, with a feedback resistance, R_f , of 3.3 kΩ and antenna impedance, R_{ant} , of 50 Ω, the resulting gain of the input stage is:

$$G = \frac{3300}{4 \times 50} = 16.5$$

The Tayloe detector may also be analyzed as a *digital commutating filter* (see reference by Kossor). This means that it operates as a very-high-Q tracking filter, where Equation 18 determines the bandwidth and n is the number of sampling capacitors, R_{ant} is the antenna impedance and C_s is the value of the individual sampling capacitors. Equation 19 determines the Q_{det} of the filter, where f_c is the center frequency and BW_{det} is the bandwidth of the filter.

$$BW_{det} = \frac{1}{\pi n R_{ant} C_s} \quad (18)$$

$$Q_{det} = \frac{f_c}{BW_{det}} \quad (19)$$

By example, if we assume the sampling capacitor to be 0.27 μF and the antenna impedance to be 50 Ω, then BW and Q at an operating frequency of 14.001 MHz are computed as follows:

$$BW_{det} = \frac{1}{\pi \times 4 \times 50 \times (2.7 \times 10^{-7})} = 5895 \text{ Hz}$$

$$Q_{det} = \frac{14.001 \times 10^6}{5895} = 2375 \quad (20)$$

The real payoff in the Tayloe detector is its performance. It has been stated that the

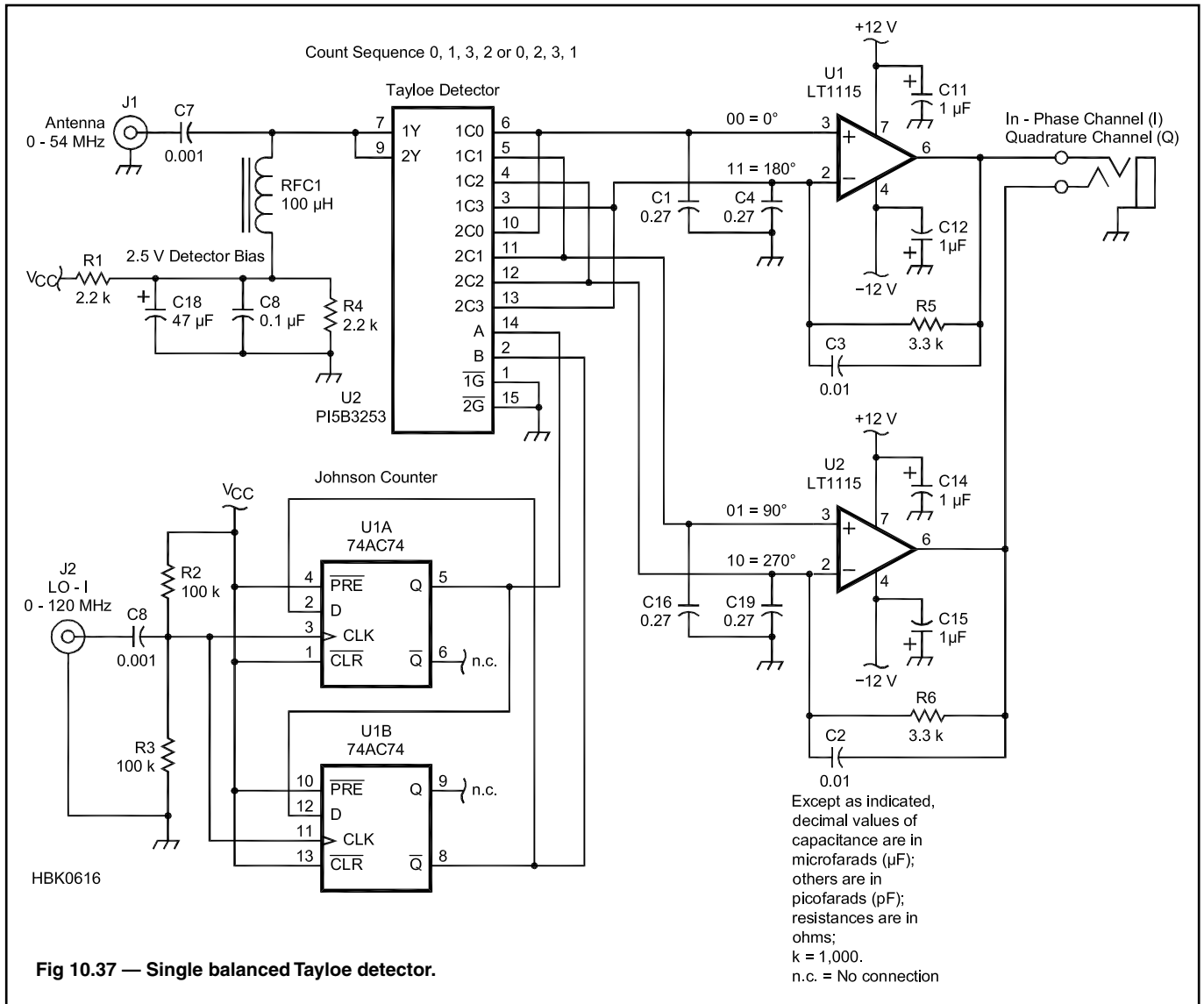


Fig 10.37 — Single balanced Tayloe detector.

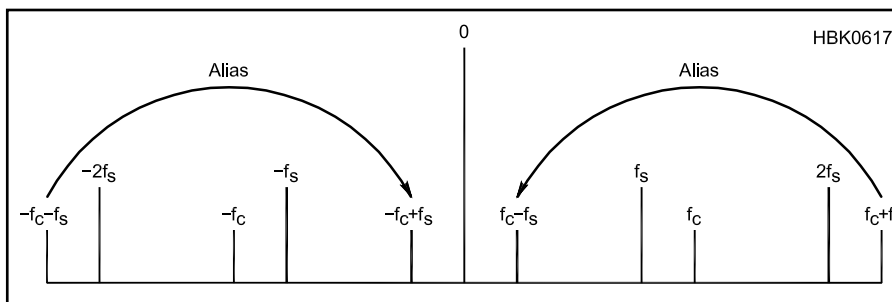


Fig 10.38 — Alias summing on Tayloe detector output: Since the Tayloe detector samples the signal, the sum frequency ($f_c + f_s$) and its image ($-f_c - f_s$) are located at the first alias frequency. The alias signals sum with the baseband signals to eliminate the mixing product loss associated with traditional mixers. In a typical mixer, the sum frequency energy is lost through filtering thereby increasing the noise figure of the device.

ideal commutating mixer has a minimum conversion loss (which equates to noise figure — see the **RF Techniques** chapter) of 3.9 dB. Typical high-level diode mixers have a conversion loss of 6-7 dB and noise figures 1 dB higher than the loss. The Tayloe detector has less than 1 dB of conversion loss, remarkably. How can this be? The reason is that it is not really a mixer but a sampling detector in the form of a quadrature track-and-hold

circuit. This means that the design adheres to discrete-time sampling theory, which, while similar to mixing, has its own unique characteristics. Because a track and hold actually holds the signal value between samples, the signal output never goes to zero. (See the **DSP and Software Radio Design** chapter for more on sampling theory.)

This is where aliasing can actually be used to our benefit. Since each switch and capaci-

tor in the Tayloe detector actually samples the RF signal once each cycle, it will respond to alias frequencies as well as those within the Nyquist frequency range. In a traditional direct-conversion receiver, the local-oscillator frequency is set to the carrier frequency so that the difference frequency, or IF, is at 0 Hz and the sum frequency is at two times the carrier frequency. We normally remove the sum frequency through low-pass filter-

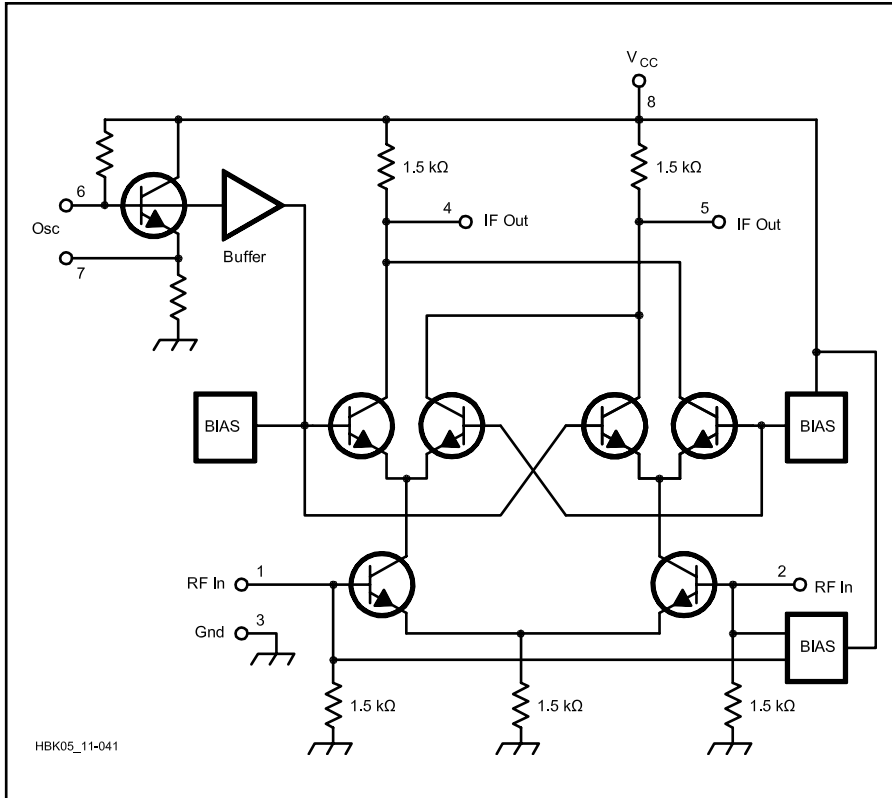


Fig 10.39 — The SA602/612's equivalent circuit reveals its Gilbert-cell heritage.

ing, resulting in conversion loss and a corresponding increase in noise figure. In the Tayloe detector, the sum frequency resides at the first alias frequency as shown in Fig 10.38. Remember that an alias is a real signal and will appear in the output as if it were a baseband signal. Therefore, the alias adds to the baseband signal for a theoretically lossless detector. In real life, there is a slight loss, usually less than 1 dB, due to the resistance of the switch and aperture loss due to imperfect switching times.

10.5.6 The NE602/SA602/SA612: A Popular Gilbert Cell Mixer

Introduced as the Philips NE602 in the mid-1980s, the NXP SA602/SA612 mixer-oscillator IC has become greatly popular with amateur experimenters for receive mixers, transmit mixers and balanced modulators. The SA602/612's mixer is a *Gilbert cell* multiplier. Fig 10.39 shows its equivalent circuit. A Gilbert cell consists of two differential transistor pairs whose bias current is controlled by one of the input signals. The other signal drives the differential pairs' bases, but only after being "predistorted" in a diode circuit. (This circuit distorts the signal equally and oppositely

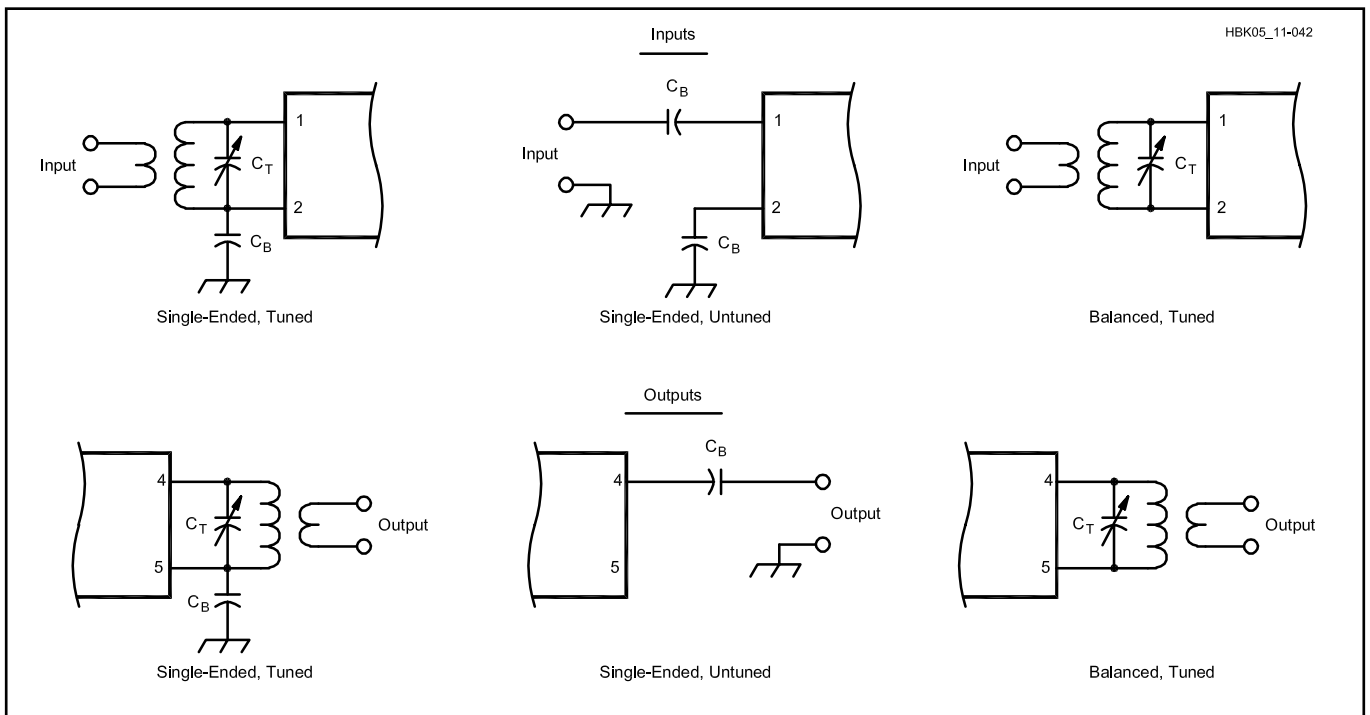


Fig 10.40 — The SA602/612's inputs and outputs can be single- or double-ended (balanced). The balanced configurations minimize second-order IMD and harmonic distortion, and unwanted envelope detection in direct-conversion service. C_T tunes its inductor to resonance; C_B is a bypass or dc-blocking capacitor. The arrangements pictured don't show all the possible input/output configurations; for instance, a center-tapped broadband transformer can be used to achieve a balanced, untuned input or output.

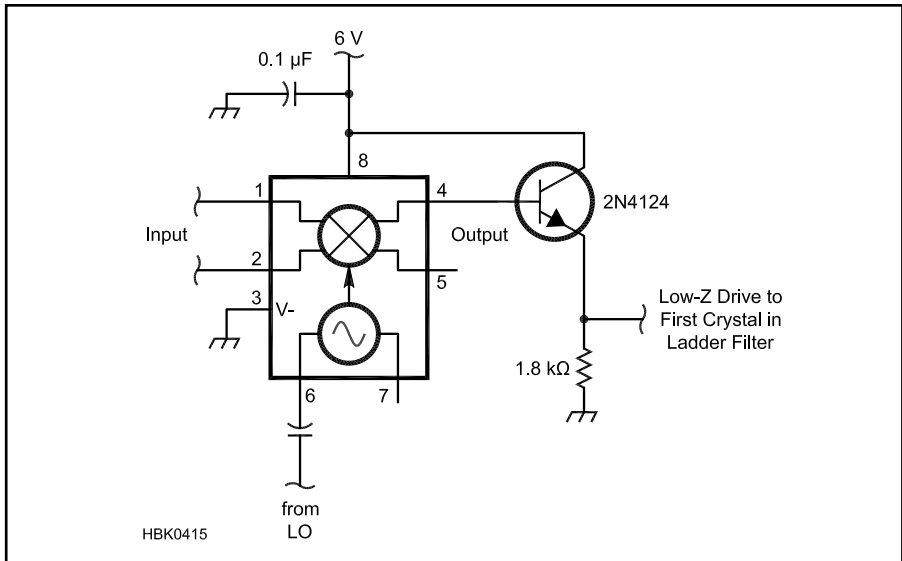


Fig 10.41 — An NPN transistor at the output of an SA602/612 mixer provides power gain and low-impedance drive for a 4.914-MHz crystal filter. A low-reactance coupling capacitor can be added between the emitter and the circuitry it drives if dc blocking is necessary. (Circuit from the Elecraft KX1 transceiver courtesy of Wayne Burdick, N6KR)

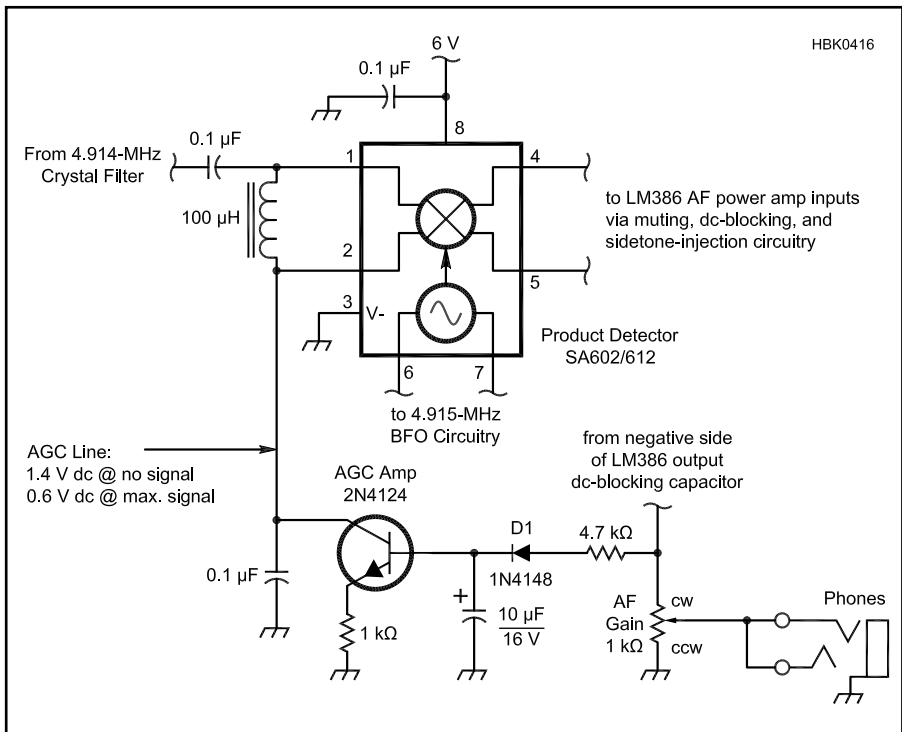


Fig 10.42 — SA602/612 product detector AGC from the Elecraft KX1 transceiver. Designed by Wayne Burdick, N6KR, this circuit first appeared in the Wilderness Radio SST transceiver with an LED used at D1 for simultaneous signal indication and rectification. The selectivity provided by the crystal filter preceding the detector works to mitigate the effects of increasing detector distortion with gain reduction, (Circuit courtesy of Wayne Burdick, N6KR, and Bob Dyer, K6KK)

to the inherent distortion of the differential pair.) The resulting output signal is an accurate multiplication of the input voltages.

SA602/612A VARIANTS

The SA602/612 began life as the NE602/SA602. SA-prefixed 602/612 parts are specified for use over a wider temperature range than their NE-prefixed equivalents. Parts without the A suffix have a slightly lower IP_3 specification than their A counterparts. The pinout-identical NE612A and SA612A cost less than their 602 equivalents as a result of wider tolerances. All variants of this popular part should work satisfactorily in most “NE602” experimenter projects. The same mixer/oscillator topology, modified for slightly higher dynamic range at the expense of somewhat less mixer gain, is also available in the mixer/oscillator/FM IF chips NE/SA605 (input IP_3 typically -10 dBm) and NE/SA615 (input IP_3 typically -13 dBm).

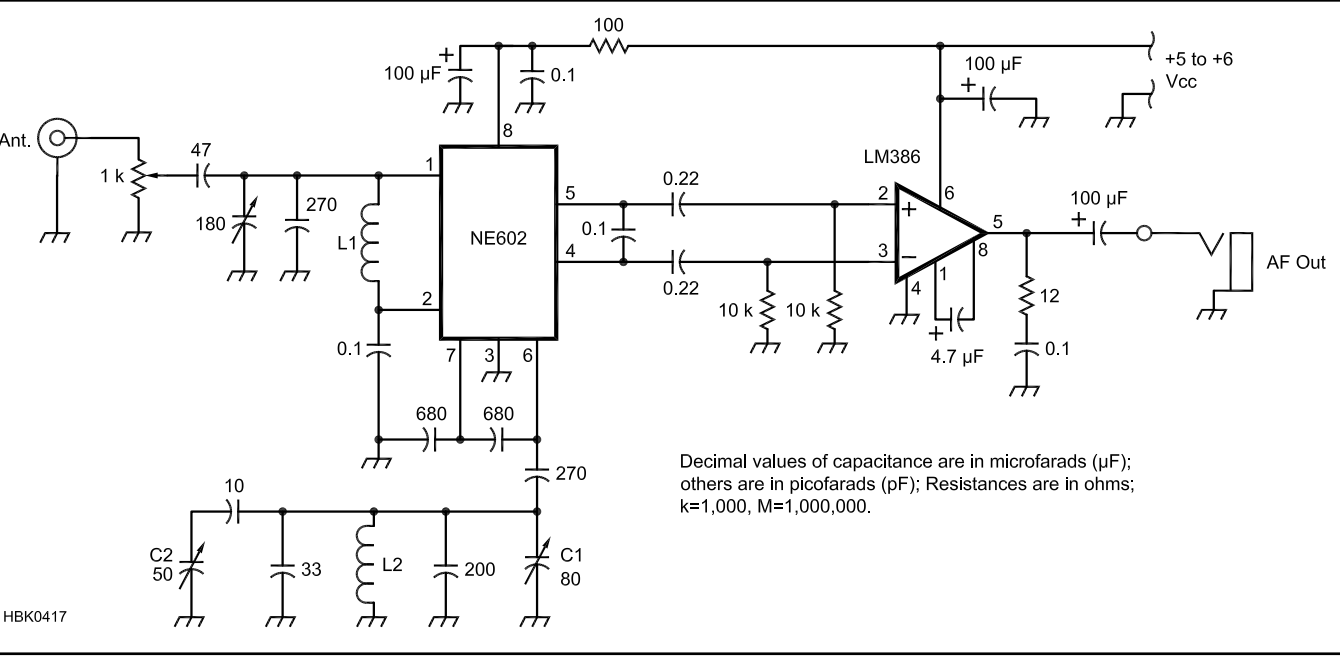
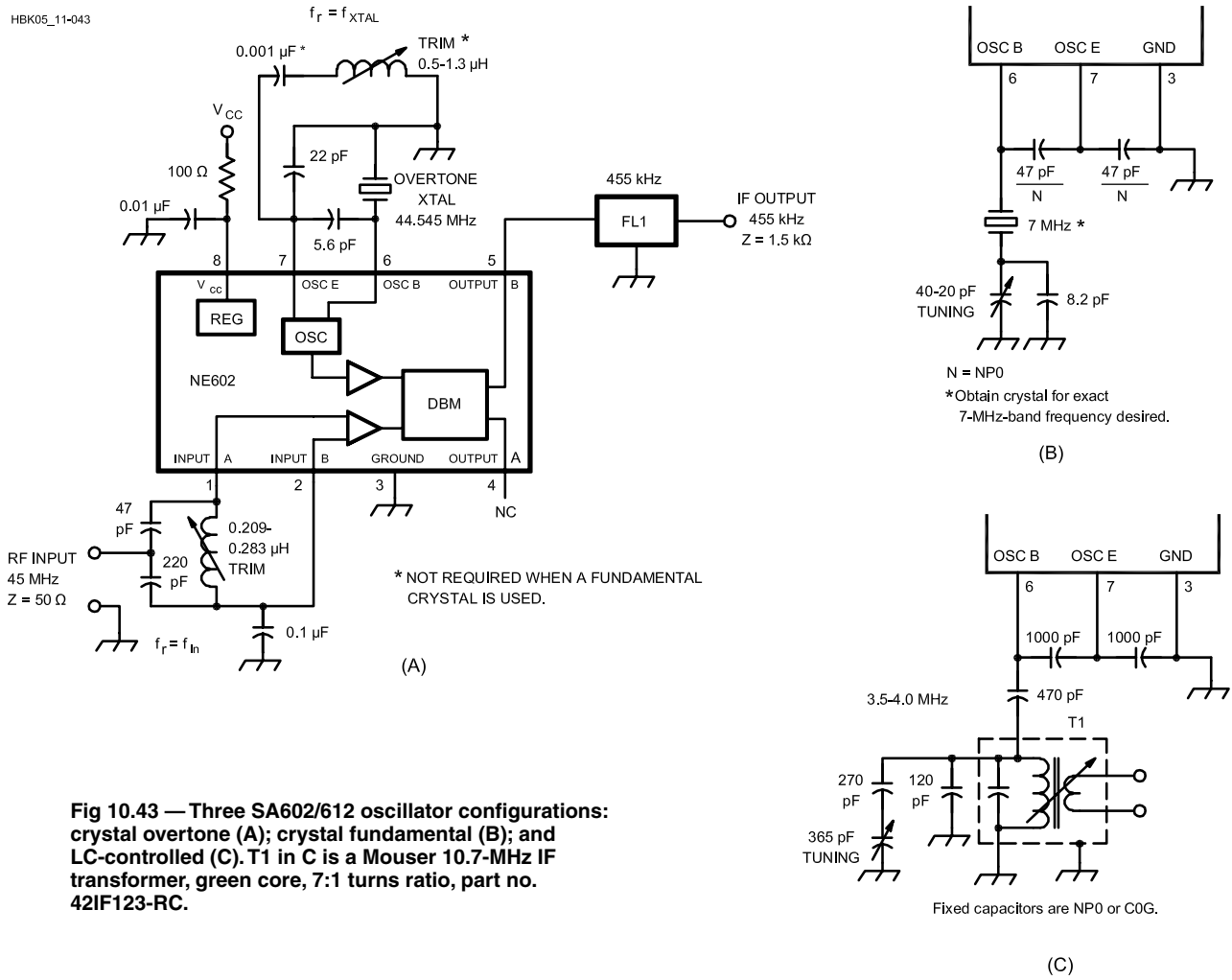
SA602/612 USAGE NOTES

The SA602/612’s typical current drain is 2.4 mA; its supply voltage range is 4.5 to 8.0 V. Its inputs (RF) and outputs (IF) can be single- or double-ended (balanced) according to design requirements (Fig 10.40). The equivalent ac impedance of each input is approximately 1.5 kΩ in parallel with 3 pF; each output’s resistance is 1.5 kΩ. Fig 10.41 shows the use of an NPN transistor at the SA602/612 output to obtain low-impedance drive for a crystal filter; Fig 10.42 shows how AGC can be applied to an SA602/612.

The SA602/612 mixer can typically handle signals up to 500 MHz. At 45 MHz, its noise figure is typically 5.0 dB; its typical conversion gain, 18 dB. Note that in contrast to the diode-based mixers described earlier, which have conversion loss, most Gilbert-cell mixers have conversion gain. Considering the SA602/612’s low current drain, its input IP_3 (measured at 45 MHz with 60-kHz spacing) is usefully good at -15 dBm. Factoring in the mixer’s conversion gain results in an equivalent output IP_3 of about 3 dBm.

The SA602/612’s on-board oscillator can operate up to 200 MHz in LC and crystal-controlled configurations (Fig 10.43 shows three possibilities). Alternatively, energy from an external LO can be applied to the chip’s pin 6 via a dc blocking capacitor. At least 200 mV P-P of external LO drive is required for proper mixer operation.

The SA602/612 was intended to be used as the second mixer in double-conversion FM cellular radios, in which the first IF is typically 45 MHz, and the second IF is typically 455 kHz. Such a receiver’s second mixer can be relatively weak in terms of dynamic range because of the adjacent-signal protection afforded by the high selectivity of the first-IF filter preceding it. When



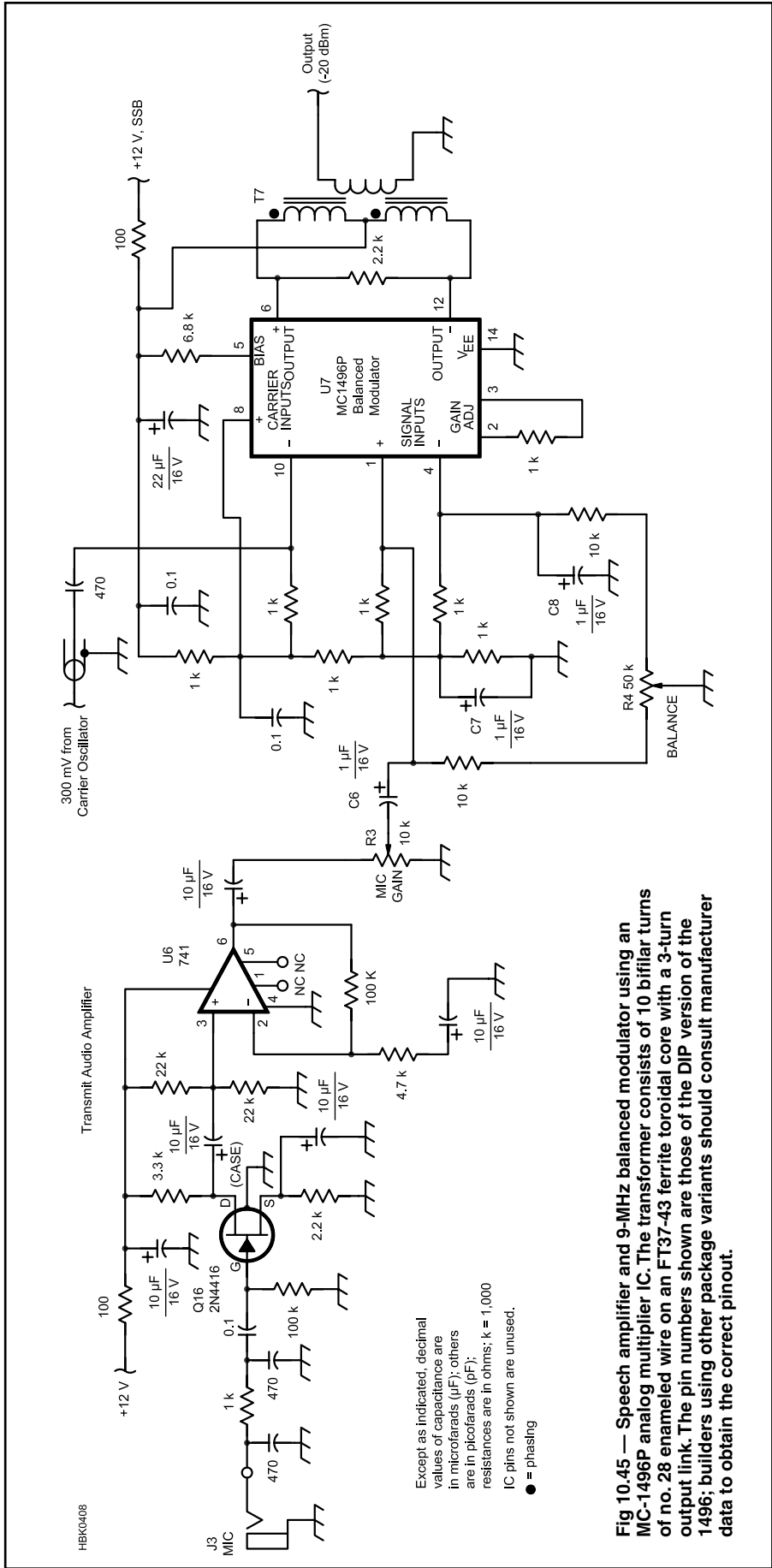


Fig 10.45 — Speech amplifier and 9-MHz balanced modulator using an MC-1496P analog multiplier IC. The transformer consists of 10 bifilar turns of no. 28 enameled wire on an FT37-43 ferrite toroidal core with a 3-turn output link. The pin numbers shown are those of the DIP version of the 1496; builders using other package variants should consult manufacturer data to obtain the correct pinout.

used as a first mixer, the SA602/612 can provide a two-tone third-order dynamic range between 80 and 90 dB, but this figure is greatly diminished if a preamplifier is used ahead of the SA602/612 to improve the system's noise figure.

When the SA602/612 is used as a second mixer, the sum of the gains preceding it should not exceed about 10 dB. An SA602/612 can serve as low-distortion (THD <1%) product detector if overload is avoided through the use of AGC and appropriate attenuation between the '602/612 and the IF strip that drives it.

The SA602/612 is generally not a good choice for VHF and higher-frequency mixers because of its input noise and diminishing IMD performance at high frequencies. There are applications, however, where 6-dB noise figure and 60- to 70-dB dynamic range performance is adequate. If your target specifications exceed these numbers, you should consider other mixers at VHF and up.

Fig 10.44 shows the schematic of a complete 7-MHz direct-conversion receiver based on the SA602/612 and the widely used LM386 AF power amplifier IC. Such simple product-detector-based receivers sometimes suffer from incidental envelope detection, which causes audio from strong, full-carrier-AM shortwave or mediumwave broadcast stations to be audible regardless of where the receiver LO is tuned. RF attenuation and/or band-limiting the receiver input with a double- or triple-tuned-circuit filter can usually reduce this effect to inaudibility.

10.5.7 An MC1496P Balanced Modulator

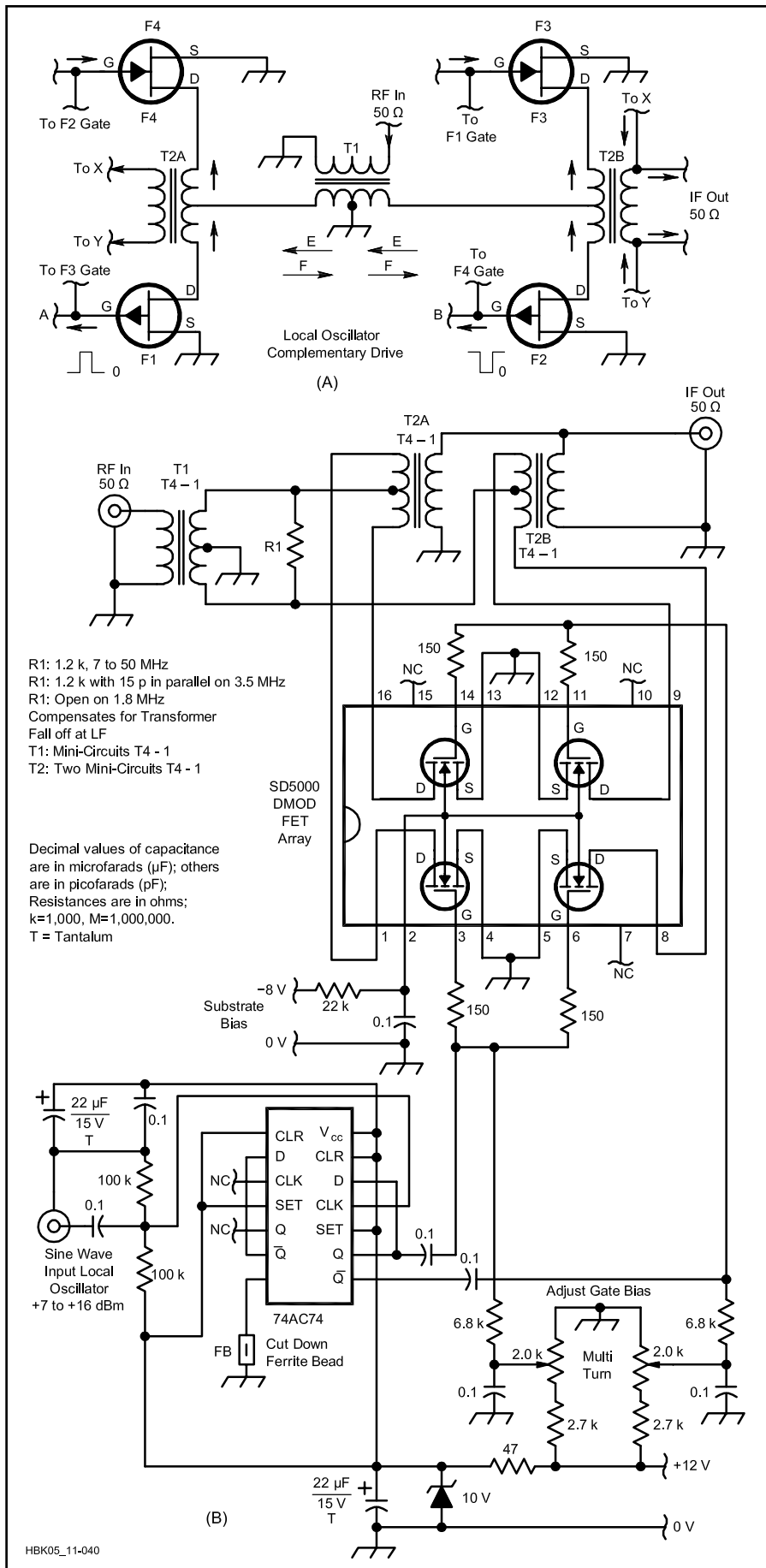
Although it predates the SA602/612, Freescale's MC1496 Gilbert cell multiplier remains a viable option for product detection and balanced modulator service. **Fig 10.45** shows an MC1496-based balanced modulator that is capable of a carrier suppression greater than 50 dB. Per its description in Hayward, Campbell, and Larkin's *Experimental Methods in RF Design*, its output with audio drive should be kept to about -20 dBm with this circuit. LO drive should be 200 to 500 mV P-P.

10.5.8 An Experimental High-Performance Mixer

Examining the state of the art we find that the best receive-mixer dynamic ranges are achieved with quads of RF MOSFETs operating as passive switches, with no drain voltage applied. The best of these techniques involves following a receiver's first mixer with a diplexer and low-loss roofing crystal filter, rather than terminating the mixer in a strong wideband amplifier.

Colin Horrabin's (G3SBI) experimenta-

Fig 10.46 — A shows the operation of the H-mode switching mixer developed by Colin Horrabin, G3SBI. B shows the actual mixer circuit implemented with the Linear Integrated Systems SD5000 DMOS FET quad switch IC and a 74AC74 flip-flop.



R1: 1.2 k, 7 to 50 MHz
 R1: 1.2 k with 15 p in parallel on 3.5 MHz
 R1: Open on 1.8 MHz
 Compensates for Transformer
 Fall off at LF
 T1: Mini-Circuits T4 - 1
 T2: Two Mini-Circuits T4 - 1

Decimal values of capacitance are in microfarads (μF); others are in picofarads (pF); Resistances are in ohms; k=1,000, M=1,000,000. T = Tantalum

tions with variations of an original high-performance mixer circuit by Jacob Mahkinson, N6NWP, led to the development of a new mixer configuration, called an H-mode mixer. This name comes from the signal path through the circuit. (See **Fig 10.46A**.) Horrabin is a professional scientist/engineer at the Science and Engineering Research Council's Darebury Laboratory, which has supported his investigative work on the H-mode switched-FET mixer, and consequently holds intellectual title to the new mixer. This does not prevent readers from taking the development further or using the information presented here.

Inputs A and B are complementary square-wave inputs derived from the sine-wave local oscillator at twice the required square-wave frequency. If A is ON, then FETs F1 and F3 are ON and F2 and F4 are OFF. The direction of the RF signal across T1 is given by the E arrows. When B is ON, FETs F2 and F4 are ON and F1 and F3 are OFF. The direction of the RF signal across T1 reverses, as shown by the F arrows.

This is still the action of a switching mixer, but now the source terminal of each FET switch is grounded, so that the RF signal switched by the FET cannot modulate the gate voltage. In this configuration the transformers are important: T1 is a Mini-Circuits type T4-1 and T2 is a pair of these same transformers with their primaries connected in parallel.

10.6 References and Bibliography

The following mixer references include books, journals and other publications as well as websites. They are arranged by publication date.

BOOKS

- E. E. Bucher, *The Wireless Experimenter's Manual* (New York: Wireless Press, Inc., 1920).
- F. E. Terman, *Radio Engineers' Handbook* (New York: McGraw-Hill, 1943).
- R. W. Landee, D. C. Davis and A. P. Albrecht, *Electronic Designer's Handbook*, 2nd ed, Section 22 (New York: McGraw-Hill, 1957).
- A. A. M. Saleh, *Theory of Resistive Mixers* (Cambridge, MA: MIT Press, 1971).
- L.G. Giacoletto, *Electronics Designers' Handbook*, 2nd ed (New York: McGraw-Hill 1977).
- P. Horowitz, W. Hill, *The Art of Electronics*, 2nd ed (New York: Cambridge University Press, 1989).
- RF/IF Designer's Handbook* (Brooklyn, NY: Scientific Components, 1992).
- RF Communications Handbook* (Philips Components-Signetics, 1992).
- W. Hayward, *Introduction to Radio Frequency Design* (Newington, CT: ARRL, 1994).
- L. E. Larson, *RF and Microwave Circuit Design for Wireless Communication*, (Artech House, 1996).
- S. A. Maas, *The RF and Microwave Circuit Design Cookbook* (Artech House, 1998).
- U. L. Rohde, D. P. Newkirk, *RF/Microwave Circuit Design for Wireless Applications* (New York: John Wiley & Sons, 2000). (Large number of useful references in the mixer chapter.)
- U. L. Rohde, J. Whitaker, *Communications Receivers: DSP, Software Radios, and Design*, 3rd ed (New York: McGraw-Hill, 2001). (Large number of useful references in the mixer chapter.)
- H. I. Fujishiro, Y. Ogawa, T. Hamada and T. Kimura, *Electronic Letters*, Vol 37, Iss 7, Mar 2001, pp 435-436. See IET Digital Library (www.ietdl.org).
- S. A. Maas, *Nonlinear Microwave and RF Circuits*, 2nd ed (Artech House, 2003).
- S. A. Maas, *Noise in Linear and Nonlinear Circuits* (Artech House, 2005).
- G. D. Vendelin, A. M. Pavio and U. L. Rohde, *Microwave Circuit Design Using Linear and Nonlinear Techniques* (New York: John Wiley & Sons, 2005). (Large number of useful references in the mixer chapter.)
- Synergy Microwave Corporation Product Handbook* (Paterson, NJ: Synergy Microwave Corporation, 2007).
- 1994, pp 29-32; Part 2, *QST*, Jun 1994, pp 27-31; Part 3, *QST*, Jul 1994, 42-45.
- U. L. Rohde, "Testing and Calculating Intermodulation Distortion in Receivers," *QEX*, Jul 1994, pp 3-4.
- B. Gilbert, "Demystifying the Mixer," self-published monograph, 1994.
- S. Raman, F. Rucky, and G. M. Rebeiz, "A High Performance W-band Uniplanar Subharmonic Mixer," *IEEE Trans MTT*, Vol 45, pp 955-962, Jun 1997.
- M. J. Roberts, S. Iezekiel and C. M. Snowdan, "A Compact Subharmonically Pumped MMIC Self Oscillating Mixer for 77 GHz Applications," *IEEE MTT-S Digest*, 1998, pp 1435-1438.
- M. Kossor, WA2EBY, "A Digital Commutating Filter," *QEX*, May/June 1999, pp 3-8.
- K. S. Ang, A. H. Barea, S. Nam and I. D. Robertson, "A Millimeter-Wave Monolithic Sub-Harmonically Pumped Resistive Mixer," *Proc APMC*, Vol 2, 1999, pp 222-225.
- C. H. Lee, S. Han, J. Laskar, "GaAs MESFET Dual-Gate Mixer with Active Filter Design for Ku-Band Application," *IEEE MTT-S Digest*, 1999, pp 841-844.
- H. Darabi and A. A. Abidi, "Noise in RF-CMOS Mixers: A Simple Physical Model," *IEEE JSSC*, Vol 35, Jan 2000, pp 15-25.
- P. S. Tsenes, G. E. Stratakos, N. K. Uzunoglu, M. Lagadas, G. Deligeorgis, "An X-band MMIC Down-Converter," *WOCSDICE 2000*, pp X.7-X.8
- M. T. Terrovitis and R. G. Meyer, "Intermodulation Distortion in Current-Commutating CMOS Mixers," *IEEE Journ of SSC*, Vol 35, No 10, October 2000.
- M. W. Chapman and S. Raman, "A 60 GHz Uniplanar MMIC 4X Subharmonic Mixer," *IEEE MTT-S Int Microwave Symp Dig*, 2001, pp 95-98, 2001.
- M. Sironen, Y. Qian and T. Itoh, "A Subharmonic Self-Oscillating Mixer with Integrated Antenna for 60 GHz Wireless Applications," *IEEE Trans MTT*, 2001, pp 442-450
- D. Tayloe, N7VE, "Letters to the Editor, Notes on 'Ideal' Commutating Mixers (Nov/Dec 1999)," *QEX*, March/April 2001, p 61.
- K. Kanaya, K. Kawakami, T. Hisaka, T. Ishikawa and S. Sakamoto, "A 94 GHz High Performance Quadruple Subharmonic Mixer MMIC," *IEEE MTT-S Int Microwave Symp Dig*, 2002, pp 1249-1252.

JOURNALS AND OTHER PUBLICATIONS

- R. Weinreich and R. W. Carroll, "Absorptive Filter for TV Harmonics," *QST*, Nov 1968, pp 20-25.
- B. Gilbert, "A Precise Four-Quadrant Multiplier with Sub Nanosecond Response," *IEEE Journ Solid-State Circuits*, Vol 3, 1968, pp 364-373.
- W. Sabin, "The Solid-State Receiver," *QST*, Jul 1970, pp 35-43.
- G. Begemann, A. Hecht, "The Conversion Gain and Stability of MESFET Gate Mixers" 9th EMC, 1979, pp 316-319.
- P. Will, "Broadband Double Balanced Mixer Having Improved Termination Insensitivity Characteristics", Adams-Russell Co, Waltham, MA, US Patent No 4,224,572, Sep 23, 1980.
- C. Tsironis, R. Meierer, R. Stahlmann, "Dual-Gate MESFET Mixers," *IEEE Trans MTT*, Vol 32, No 3, 04-1984.
- B. Henderson and J. Cook, "Image-Reject and Single-Sideband Mixers", Watkins-Johnson Tech Note, Vol 12 No 3, 1985.
- H. Statz, P. Newman, I. Smith, R. Pucel and H. Haus, *IEEE Trans Electron Devices* 34 (1987) 160.
- J. Dillon, "The Neophyte Receiver," *QST*, Feb 1988, pp 14-18.
- B. Henderson, "Mixers in Microwave Systems (Part 1)", Watkins-Johnson Tech Note, Vol 17 No 1, 1990, Watkins-Johnson.
- B. Henderson, "Mixers in Microwave Systems (Part 2)", Watkins-Johnson Tech Note, Vol 17 No 2, 1990, Watkins-Johnson.
- R. Zavrel, "Using the NE602," *Technical Correspondence, QST*, May 1990, pp 38-39.
- D. Kazdan "What's a Mixer?" *QST*, Aug 1992, pp 39-42.
- L. Richey, "W1AW at the Flick of a Switch," *QST*, Feb 1993, pp 56-57.
- J. Makhinson, "High Dynamic Range MF/HF Receiver Front End," *QST*, Feb 1993, pp 23-28. Also see Feedback, *QST*, Jun 1993, p 73.
- J. Vermusvuori, "A Synchronous Detector for AM Transmissions," *QST*, pp 28-33. Uses SA602/612 mixers as phase-locked and quasi-synchronous product detectors.
- P. Hawker, Ed., "Super-Linear HF Receiver Front Ends," *Technical Topics, Radio Communication*, Sep 1993, pp 54-56.
- S. Joshi, "Taking the Mystery Out of Double-Balanced Mixers," *QST*, Dec 1993, pp 32-36.
- U. L. Rohde, "Key Components of Modern Receiver Design," Part 1, *QST*, May

- J. Kim, Y. Kwon, "Intermodulation Analysis of Dual-Gate FET Mixers," *IEEE Trans MTT*, Vol 50, No 6, Jun 2002.
- B. Matinpour, N. Lal, J. Laskar, R. E. Leoni and C. S. Whelan, "A Ka Band Subharmonic Down-Converter in a GaAs Metamorphic HEMT Process," *IEEE MTT-S Int Microwave Symp Dig*, 2001, pp 1337-1339.
- T. S. Kang, S. D. Lee, B. H. Lee, S. D. Kim, H. C. Park, H. M. Park and J. K. Rhee, *Journ Korean Phys Soc* 41, 2002, 533.
- D. An, B. H. Lee, Y. S. Chae, H. C. Park, H. M. Park and J. K. Rhee, *Journ Korean Phys Soc* 41, 2002, 1013.
- D. Metzger, "Build the 'No Excuses' Transceiver," *QST*, Dec 2002, pp 28-34.
- W. S. Sul, S. D. Kim, H. M. Park and J. K. Rhee, *Jpn Journ Appl Phys*, Vol 42, 2003, pp 7189-7193 (see [jjap.ipap.jp/link?JJAP/42/7189/](http://jap.ipap.jp/link?JJAP/42/7189/)).
- H. Morkner, S. Kumar and M. Vice, "An 18-45 GHz Double-Balanced Mixer with Integrated LO Amplifier and Unique Suspended Broadside-Coupled Balun," *2003 Gallium Arsenide Integrated Circuit Symp*, Nov 2003, pp 267-270.
- D. Tayloe, N7VE, "A Low-noise, High-performance Zero IF Quadrature Detector/Preamplifier", March 2003, *RF Design*.
- D. Tayloe, N7VE, US Patent 6,230,000, "A Product Detector and Method Therefore".
- M.-F. Lei, P.-S. Wu, T.-W. Huang, H. Wang, "Design and Analysis of a Miniature W-band MMIC Sub Harmonically Pumped Resistive Mixer," *2004 IEEE MTT-S Int Microwave Symp*, Vol 1, Jun 2004, pp 235-238.
- Ping-Chun Yeh, Wei-Cheng Liu and Hwann-Kaeo Chiou, "Compact 28-GHz Subharmonically Pumped Resistive Mixer MMIC Using a Lumped-Element High-Pass/Band-Pass Balun," *IEEE Microwave and Wireless Component Letters*, Vol 15, No 2, Feb 2005.
- J. Browne, "Wideband Mixers Hit High Intercept Points," *Microwave & RF Journal*, Sep 2005, pp 98-104.
- Chien-Chang H. and Wei-Ting C., "Multi-Band/Multi-Mode Current Folded Up-Convert Mixer Design," *Proc APMC 2006*, Japan.
- X. Wang, M. Chen and O. B. Lubecke, "0.25 um CMOS Resistive Sub threshold Mixer," *Proc APMC 2006*, Japan.
- Ro-Min Weng, Jing-Chyi Wang and Hung-Che Wei, "A 1V 2.4 GHz Down Conversion Folded Mixer", *IEEE APCCAS*, Dec 4-7, 2006, Singapore, pp 1476-1478.
- B. M. Motlagh, S. E. Gunnarsson, M. Ferndahl and H. Zirath, "Fully Integrated 60-GHz Single-Ended Resistive Mixer in 90-nm CMOS Technology," *IEEE Microwave and Wireless Component Letters*, Vol 16, No 1, Jan 2006.
- F. Ellinger, "26.5-30-GHz Resistive Mixer in 90-nm VLSI SOI CMOS Technology With High Linearity for WLAN" *IEEE Trans MTT*, Vol 53, No 8, Aug 2005.
- U. L. Rohde and A. K. Poddar, "High Intercept Point Broadband, Cost Effective and Power Efficient Passive Reflection FET DBM," *EuMIC Symposium*, 10-15 Sep 2006, UK.
- U. L. Rohde and A. K. Poddar, "A Unified Method of Designing Ultra-Wideband, Power-Efficient, and High IP3 Reconfigurable Passive FET Mixers," *IEEE/ICUWB*, Sep 24-27, 2006, MA, USA.
- U. L. Rohde and A. K. Poddar, "Low Cost, Power-Efficient Reconfigurable Passive FET Mixers", 20th *IEEE CCECE* 2007, 22-26 Apr 2007, British Columbia, Canada.

INTERESTING WEB SITES FOR MIXERS

- www.analog.com/en/content/0,2886,770%25F848%25F67465,00.html
- www.maximic.com/solutions/base_stations/index.mvp?CMP=3758&gclid=C1zn1J_lm40CFsGrgodD2Go6g
- www.pulsarmicrowave.com/products/mixers/mixers.htm
- www.synergymwave.com/products/mixers/?LocTitle=Mixers
- news.thomasnet.com/fullstory/507272
- www.wj.com/products/HighInterceptFETMixers.aspx