

# MULTIESTANDARD FM/AM CB-27 HANDPORTABLE TRANSCIEIVER

Downloaded from  
[www.cb-radio.ru](http://www.cb-radio.ru)

USER'S MANUAL



**JOPIX  
CB413**

**CE1313**

**!** In some EU countries there may be some restriction type on the use of this equipment. For more information contact with the telecommunications authorities of the member state of the European Union where do you want use the equipment.



This equipment is marked with the symbol of the selective relative classification to the waste of electric and electronic equipments. This means that this product should be retired mediating for an European system of selective collection according to the European Directive 2012/19/UE either with the purpose of being able to be recycled or dismantled to reduce any impact in the environment. For more information, it can contact with their distributor, salesperson or their local or regional administration.

The electronic products that have not been object of a selective collection are potentially dangerous for the environment and the public health due to the possible presence of dangerous substances.



**RoHS**

## INDEX

	Page no.
1.- INTRODUCTION	3
2.- MAINTENANCE AND SAFETY CAUTIONS	3
3.- CHARACTERISTICS	4
4.- PARTS, CONTROLS AND CONNECTORS	5
4.1.- DISPLAY ICONS DESCRIPTION	6
5.- OPERATION	6
5.1.- [ON/OFF/VOLUME] CONTROL	6
5.2.- CHANNEL CHOOSING	6
5.3.- KEY LOCK	7
5.4.- DISPLAY BACKLIGHT	7
5.5.- SCAN FUNCTION	7
5.5.1.- Scan channel list	7
5.5.2.- Adding a channel to the scanning list	7
5.5.3.- Deleting a channel from the scanning list	7
5.5.4.- Scanning ON/OFF	7
5.6.- PRIORITY EMERGENCY CHANNEL	8
5.7.- MONITOR FUNCTION	8
5.8.- TRANSMITTING AND RECEIVING	8
5.8.1.- Transmitting	8
5.8.2.- Receiving	8
5.9.- AM/FM SETTING	8
5.10.- TRANSMITTING POWER	8
5.11.- ROGER BEEP	9
5.12.- DUAL WATCH (SCAN)	9
5.13.- MENU FUNCTION	9
5.13.1.- Squelch level	9
5.13.2.- Battery power save	10
5.13.3.- Beep tone	11
5.14.- BATTERY INDICATOR	11
5.15.- TIME OUT TIMER	11
5.16.- TRANSCEIVER RESET	11
6.- MULTISTANDARD SELECTION MODE	11
7.- INSTALL/REMOVE AND BATTERY CHARGING	12
7.1.- INSTALL THE BATTERY PACK	12
7.2.- REMOVE THE BATTERY PACK	12
7.3.- BATTERY CHARGING	13
8.- TECHNICAL SPECIFICATIONS	13
9.- CHANNELS AND FREQUENCIES TABLE	14
10.- TROUBLESHOOTING	14
11.- DECLARATION OF CONFORMITY	15
12.- GUARANTEE	16

### Notes:

- This Instructions Manual has been elaborated trying to get the maximum it details in the described explanations. PIHERNZ COMUNICACIONES, S.A. it doesn't become responsible for some possible omission as well as of printing errors or of translation.
- © It is forbidden the total or partial reproduction of this Instructions Manual without previous authorization in writing of PIHERNZ COMUNICACIONES, S.A.

### PIHERNZ COMUNICACIONES, S.A.

with address at Avda. Doctor Ramón Solanich i Riera, 13-15. 08905 Hospitalet de Llobregat-BARCELONA (Spain).

Declares, under their responsibility that this apparatus compliance with the Directive 99/5/EC of the European Parliament and of the Council of March of 1999.

### 1.- INTRODUCTION:

- PIHERNZ COMUNICACIONES, S.A. he thanks him for the trust deposited in this multistandard CB-27 transceiver. Used correctly, this transceiver will provide years of service.
  - This equipment is given in a packing that muffles the blows and vibrations of the transport, guaranteeing this way an excellent state in the acquisition moment.
  - After remove the packing, verify that the equipment and their accessories are not damaged. In the event of doubt it doesn't use and contact the Technical Service or salesperson.
  - The manufacturer and the salesperson decline any responsibility for derived damages of an inadequate, incorrect or imprudent use of the equipment.
  - Read in a complete way this instructions manual in order to avoiding damages in the equipment or incorrect manipulations.
  - Attention to the notes included in the sections squares shady.
  - Make sure of understanding all the indications of this manual correctly.
  - Keep this manual for future consults.
  - Equipment internal manipulation performed by personal unaware to the Technical Service, it invalidates the guarantee.
- If you have any problems with this transceiver, or understand the functions incorporated, contact your dealer or distributor.
- Before using this CB-27 transceiver, check that is programmed in the frequency band allowed the country where it will be used. Otherwise, proceed to change the programming of the frequency band, as described in this manual.
  - This multistandard CB-27 transceiver can be used in the following EU countries:

AT	CY	EE	GB	IS	LV	PL	SI
BE	CZ	ES	GR	IT	MT	PT	SK
BG	DE	FI	HU	LT	NL	RO	
CH	DK	FR	IE	LU	NO	SE	

- If this transceiver is used without the necessary license (if it is necessary in the country of their use), is infringed legislation and it is incurred in legal responsibilities. In that case, you should consult with telecommunications authorities or salesperson to be informed of the obligations before the use of this transceiver.
- The inadequate use of this equipment is the proprietor's of the same one exclusive responsibility.

### Notes:

- The a transceiver use can be prohibited in certain places or enclosures, follow the use restrictions.
- Follow the requirements of your country in the use of this transceiver type.

### 2.- MAINTENANCE AND SAFETY CAUTIONS:

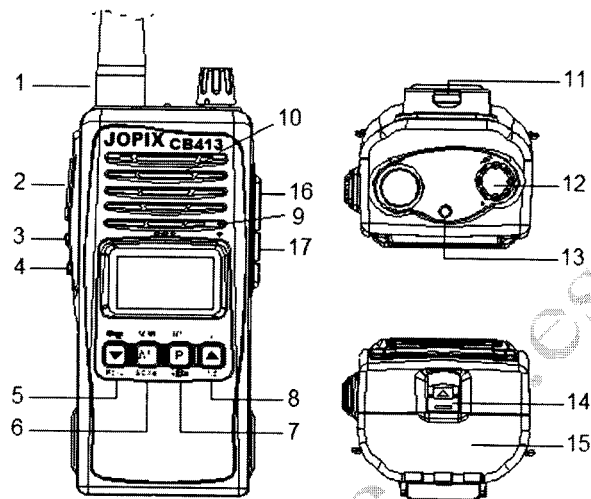
- Don't disassemble the transceiver in order to avoid damaging to the equipment, always call the Technical Service.
- Use only the battery and battery charger provided to prevent damage to the transceiver.
- Use only the supplied antenna to prevent damage to the transceiver.

- Don't transmit without first having connected the antenna properly.
- Don't expose the transceiver, their battery or the battery charger to the directly sunlight or very hot environments for an extended period of time.
- Do not operate the transceiver or their battery charger with wet hands.
- Keep the transceiver and their battery charger away from excessive dust and excess humidity.
- To clean the equipment and the battery charger being off, with an antistatic cloth (preferably) or a humid (not wet) cloth. Never use for their cleaning polish home products, detergents, alcohol or solvent. Don't use for the cleaning a dry cloth, it could cause static sock.
- If you detect any abnormal smell or smoke in the transceiver, battery pack or battery charger immediately turn it off, remove the battery from the transceiver and contact Technical Service.
- Only use this transceiver for the purpose that this has been manufactured. The manufacturer and the salesperson won't accept any responsibility and the guarantee will invalidity in the event of inadequate use of the transceiver.
- Connect the battery pack correctly, the antenna of the transceiver and the accessories, according to the indications given in this manual.
- Don't introduce any object for the grooves of the speaker or for the connectors of the equipment.
- Do not shortcircuit the battery terminals or charger battery terminals.
- If you use an external earphone (optional), reduce the maximum level of audio volume, avoid very high audio levels.
- If the transceiver caused interferences in the security systems and navigation of a vehicle, video recorder, DVD, radio and television receiver, or to any other electronic apparatus, take it away from the apparatus in question.
- Don't operate this transceiver while it is driving a vehicle, use hands free systems and follow the traffic authorities indications.
- Turn off and do not use this transceiver in areas where their use is restricted or prohibited (e.g. coal gas, areas with explosion environment, areas where it can interference the operation of other equipments, hospitals, on board airships, airports, etc.).
- Turn off and do not use this transceiver in the vicinity of other electronic equipments, especially next to medical equipments. It can cause interferences in other equipments.
- Don't replace and do not charge the battery pack in environments with risk of fire or explosion.
- The use of incompatible accessories with the transceiver they could limit their operation, and even to damages invalidating the guarantee.
- Risk of explosion if battery pack is replaced by an incompatible.
- As general safety cautions, the children should not operate any type of electric equipment.
- The packing materials (plastic bags, etc.), they should not be left within reach of the children, since they are a potential danger source.

### 3.- CHARACTERISTICS:

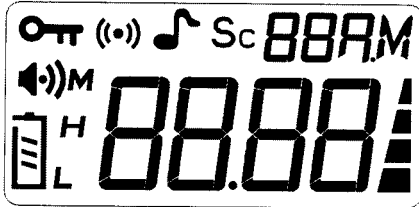
- Multistandard CB-27 transceiver, programmable for use in different countries of the European Union.
- Compact design and resistant to impacts.
- AM/FM modulation selectable.
- Backlit LCD display.
- 4 W maximum power transmission.
- IP-54 protection.
- 6 levels of squelch selectable.

### 4.- PARTS, CONTROLS AND CONNECTORS:



- 1) Antenna with TNC type connector.
- 2) [PTT]: Push to talk.
- 3) [F] key: It's used for activating multi functions.
- 4) [SQ] key: Squelch ON/OFF.
- 5) [Lock/▼/MENU] key: Key lock, decrease a channel and enter MENU when [F] key is held-pressed.
- 6) [SCAN/A/F/Sc. List] key: Scan function, AM/FM selection and edit the Scan Channel List.
- 7) [DW/P/Lamp] key: Dual Watch, priority emergency channel and LCD backlight.
- 8) [H/L/▲/RB] key: TX power switch, increase channel and Roger Beep.
- 9) Incorporated microphone.
- 10) Incorporated speaker.
- 11) Belt clip.
- 12) [ON/OFF/VOL] control: It used to turn on the power and adjusting the volume.
- 13) Led indicator: The indicator lights up red when transmitting and battery capacity (voltage) is low. The indicator lights up green when receiving or squelch is off.
- 14) Battery lock.
- 15) Battery pack.
- 16) External microphone jack.
- 17) External speaker jack.

#### 4.1.- DISPLAY ICONS DESCRIPTION:



ICON	DESCRIPTION
8888	Showing working channel (CH.01) or operating country mode.
8888 AM	Showing the AM or FM mode operation.
Key icon	Appears when equipad is locked.
Sc	Appears when the channel selected is in scanning list.
♪	Appears when Roger Beep tone is on.
(•)	Appears when the emergency priority channel is on.
Battery icon	Battery power level.
H/L	Showing transmitter output power high (H) or low (L).
M	Indicating the menu function.
Signal strength icon	Receiving signal level indicator and transmitting indicator.
Speaker icon	Show receiving signal.

#### 5.- OPERATION:

##### 5.1.- [ON/OFF/VOLUME] CONTROL:

Turn the [ON/OFF/VOL] knob clockwise to turn on the transceiver and increase the volume.  
Every time the transceiver is switched on, the LCD will show the active frequency for 3 seconds.  
Turn the [On/Off-Volume] knob anticlockwise for decreasing the volume and turn off the transceiver.

**Note:**

- When the transceiver is turned on, the display shall show the battery voltage status during the start up.

##### 5.2.- CHANNEL CHOOSING:

Press the [▲] / [▼] key to increase or decrease a channel number.

##### 5.3.- KEY LOCK:

Press the [▼] key more than 3 seconds for setting the key lock on or off. When key lock is on, the display will show "Key Lock" icon, and all keys will be locked except the [PTT].

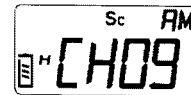
##### 5.4.-DISPLAY BACKLIGHT:

Press the [F] + [P] keys to set the display backlight on/off. When the display backlight is set on, the lightning time shall be 10 seconds. The 10 seconds lightning time shall be reset every time when a key is pressed, except the [PTT].

##### 5.5.- SCAN FUNCTION:

###### 5.5.1.- Scan channel list:

Before operating the scan function, users have to edit one channel (besides the default priority channel) in scan list. Channels at scan list shall be marked with "Sc" icon on the display. The channels at the scanning list shall be scanned when scanning and the "Sc" icon would blink.



###### 5.5.2.- Adding a channel to the scanning list:

Press the [▲] / [▼] keys to choose the channel that you want set. Press the [F] + [A/F] keys to add the channel to scan list. The channel in the list would have a "Sc" icon showing on the LCD display.

###### 5.5.3.- Deleting a channel from the scanning list:

Select a channel by [▲] / [▼] keys. Press the [F] + [A/F] keys to delete the channel from the scanning list. The "Sc" icon shall disappear to the LCD display.

###### 5.5.4.- Scanning ON/OFF:

Press and hold the [A/F] key more than 3 seconds to turn on the scanning. The transceiver start to scroll through the channels in scan list (the "Sc" icon should start blinking). It could scan minimum 5 channels per second. When signal received, it will stop at that channel and could hear the communication from transceiver speaker. When the signal disappear, it will continue to scan after 5 seconds (The 5 seconds shall be reset every time when the [PTT] is pressed or the transceiver receives a new communication). If there is no channel (besides the priority channel) in the scanning list, shall not be able to be set on. Press and hold the [A/F] key more than 3 seconds again to turn off the scanning, the transceiver will go back to the previous channel before scanning started.

**Note:**

- During the scanning, if the [P] key is pressed, it will stop scanning and go to the priority channel.

### 5.6.- PRIORITY EMERGENCY CHANNEL:

Press the [P] key to go to the priority channel. The display will show “(•)” icon.

Press the [P] key again to quit the priority emergency channel and go back to the operating channel before entering into priority channel.

Press the [▲] / [▼] key, it will go the previous or next channel to the priority channel.

**Note:**

- When operating in priority emergency channel, the scan function would be disable.

### 5.7.- MONITOR FUNCTION:

This function is used to setting the speaker volume level.

Press and hold the [SQ] key to turn the squelch off, it should hear the noise from speaker.

Turn the [ON/OFF/VOL] knob to adjust the suitable level.

Release the [SQ] key to turn on the squelch.

### 5.8.- TRANSMITTING AND RECEIVING:

#### 5.8.1.- Transmitting:

Pressing the [PTT] key, the transceiver will enter transmitting mode,

the red LED will be on, and the LCD will show the icon “▲”.

Will display one bar with low power transmission.

Will display two bars with high power in AM mode.

Will display four bars with high power in FM mode.

#### 5.8.2.- Recepción:

The green LED will be on if receiving a signal and the communication will be listen on the speaker of the transceiver, also the LCD will show

the “(•)” and “▲” icon.

### 5.9.- AM/FM SETTING:

There are AM/ FM operating system in this transceiver.

Press the [A/F] key to choose AM or FM.

The display will show “AM” or “FM” icon.

**Note:**

- Being a multistandard transceiver, if the channel is only AM (or FM), this key is disabled.

### 5.10.- TRANSMITTING POWER:

Press and hold the [▲] key 3 seconds (or more) to select transmitting output power.

In the FM mode: Low power (L) = 1 W; high power (H) = 4 W.

In the AM mode: Low power (L) = 1W; high power(H) = 3W.

Each time you press and hold this key, the power switch and it will show “H” or “L” icon on the LCD display.

### 5.11.- ROGER BEEP:

This function is used to remind to others listener the end of transmission (when the [PTT] is released), the transceiver will beep to confirm to other users that your transmission has finished.

Press the [F] + [▲] keys to turn on the ROGER BEEP, the LCD will show the “♪” icon.

Press [F] + [▲] keys to turn off this function, the LCD “♪” icon will disappear.

### 5.12.- DUAL WATCH (SCAN):

This function is used to alternately monitor the selected channel and the priority emergency channel.

Press and hold the [P] key for 3 seconds to turn on this function, the LCD will display “d” and “(•)” icons.

The transceiver will be scanning between the operating channel and priority emergency channel.



Press the [P] key for 3 seconds again to quit this function, it will go to the previous operating channel and the LCD “d” icon will be off.

**Notes:**

- During this operation mode, the transceiver will stop at the channel that receiving a signal. When the signal disappears, the transceiver will go back to dual watch mode after 5 seconds.

- During this operation mode, if the [PTT] is pressed, it will transmitting at that channel. When the [PTT] is released, it will go back to dual watch mode.

- When pressing the [SQ] key, it will have noise from the speaker even if there is no signal.

- During this operation mode, except the [PTT], [SQ] and [P] keys, other keys of the transceiver will be disable, and it will listened a error tone when are pressed this keys.

### 5.13.- MENU FUNCTION:

The function menu is used to transceiver settings.

Press the [F] + [▼] keys to enter into the setting menu, the LCD will display the “M” icon.

Press the [F] + [▼] keys to choose the desired setting. There are three setting menus, squelch level, battery saving and beep tone.

Then press the [▲] / [▼] keys to select the desired parameter, press the [F] key to store the parameter and go to next menu.

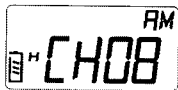
Press any other key except the [▲] / [▼] keys to exit without storing the setting

#### 5.13.1.- Squelch level:

It shall be possible to set the different squelch levels.

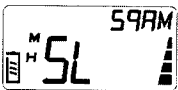
The selected level setting shall be for all selected channels.  
Selectable levels: 0-6.  
The squelch level setting shall directly control the receiver.  
Before storing the level, it shall be possible to hear that the squelch is closed.  
This is very useful for determining the level before storing it.

Selecting level:



➤ Start position.

Press the [F] + [▼] keys to set the squelch level.



➤ "SL 01" is show on the display and the "Sq" icon is blinking.

Press the [▲] / [▼] keys for selecting squelch level from 0-6.  
Press the [F] key to save the squelch level setting and go to "Battery power save" setting mode.

Press any other key except the [▲] / [▼] keys to exit without storing the setting.

Levels threshold setting squelch:

0: Squelch always open.

1: First level.

2 – 6: Levels shall be with 3 dB difference between the steps (1-6).

**Note:**

- A high level squelch setting, only let you listen the strong signals.

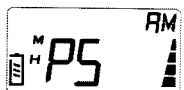
### 5.13.2.- Battery power save:



➤ Start position.

Press the [F] + [▼] keys to set the squelch level.

Press the [F] + [▼] keys again to set the battery power save.



➤ PS 01" and "🔋" icon are show on the display.

Press the [▲] / [▼] keys for selecting the power save setting 1, 2, 3 or 0 (for power saving disabled).

Press the [F] key to save the setting and go to "Beep tone" setting mode.

Press any other key except the [▲] / [▼] keys to exit without storing the setting.

### 5.13.3.- Beep tone:

Press the [F] + [▼] keys for enter to the squelch level.

Press and hold the [F] key, press the [▼] key two times to access the setting of the "beep" tone.

Press the [▲] / [▼] keys to turn on or off this function.

When this function is enabled, a beep tone shall be listen when a key is pressed except the [PTT], and [SQ] key.

Press the [F] key to save the setting and go to "Squelch Level" setting mode.

Press any other key except the [▲] / [▼] keys to exit without storing the setting.

**Note:**

- During the menu setting, if not pressed any key within 10 seconds, the transceiver will return to normal operating mode without storing the setting.

### 5.14.- BATTERY INDICATOR:

The "🔋" icon shows the capacity of the battery.

When the battery capacity is low, the battery icon "🔋" is displayed and the red LED shall start to blink.

**Note:**

- If the function "Beep Tone" is set on, a beep tone warns every 10 second, otherwise no beep tone from the speaker.

### 5.15.- TIME OUT TIMER:

This function is used to limit the transmission time when press and hold the [PTT], it will be stop transmission after times out, it has to release the [PTT] if you want to re-transmit.

**Note:**

- This function can only be programmed by software programming. For more information contact with your dealer or salesperson.

### 5.16.- TRANSCEIVER RESET:

This function allows you to restore the transceiver initial factory settings. With power off mode transceiver, press and hold simultaneously the [▼] and [A/F] keys and turn on the transceiver, the transceiver will return to the factory default settings.

### 6.- MULTISTANDARD SELECTION MODE:

The [F] key should be pressed during the transceiver is switched on. The display would display blinking the last country mode. With the [▲] / [▼] keys you can select the country you desired to use the transceiver. When the country is selected, the "F" key should be pressed again and as confirmation the displayed country would stop blinking. After switching off the transceiver and turn on again and the new country use would be enabled.

There are 7 different country use (frequency bands).  
Setting countries use in the multistandard equipment JOIPIX CB413.

Setting countries table				
Setting	Channels number	Modulation	TX Power	Frequency bands
EU	40 CH	FM/AM	4 W	26.965-27.405 MHz
EC	40 CH	FM	4 W	26.965-27.405 MHz
d	40 CH	CH 1~CH 40 AM/FM	4 W	26.965-27.405 MHz
	80 CH	CH 41~CH 80 FM	4 W	26.565-27.405 MHz
PL	40 CH	FM/AM	4 W	26.960-27.405 MHz
U	40 CH	FM	4 W	26.965-27.405 MHz
	40 CH	AM	4 W	27.60125-27.99125 MHz
IN	27 CH	AM/FM	4 W	26.965-27.275 MHz
IS	34 CH	AM/FM	4 W	26.965-27.225 MHz / 26.875-26.955 MHz

**Note:**

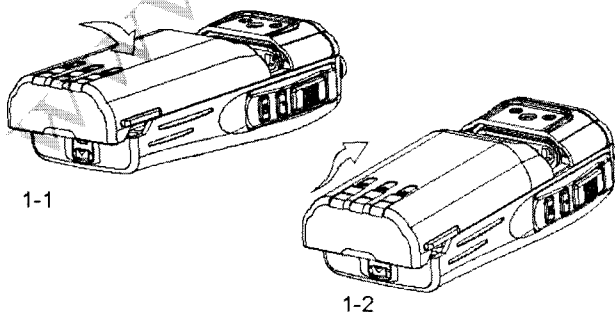
- In the "U" mode, press the [A/F] key to toggle between the two frequency bands (shown AM or FM).

### 7.- INSTALL/REMOVE AND BATTERY CHARGING:

The battery pack is not fully charged at the factory, you must charge the battery before first use with the transceiver.

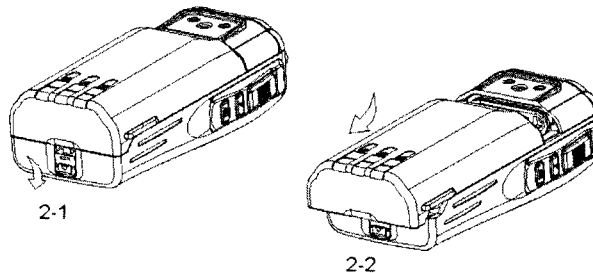
#### 7.1.- INSTALL THE BATTERY PACK:

- 1.- Match the four grooves at the edge of battery pack with the corresponding guides on the back of the transceiver (Figure 1-1).
- 2.- Slide the battery pack along the back of the transceiver until the release latch on the base of the transceiver locks, a "click" sound is listened (Figure 1-2).



#### 7.2.- REMOVE THE BATTERY PACK:

- 1.- To remove the battery, pull down the release latch on bottom of the transceiver (Figure 2-1).
- 2.- Slide the battery pack away from the transceiver (Figure 2-2).



**Note:**

- Do not use the battery pack if it is damaged, replace it with a new one of the same characteristics as that supplied with the transceiver.

### 7.3.- BATTERY CHARGING:

Use only the battery charger supplied with the transceiver. The battery pack can be charged while installed or uninstalled on the transceiver. If charging with the battery pack installed in the transceiver, ensure that the transceiver is off. Do not recharge the battery pack with the transceiver is on and never press the [PTT] to transmit while charging the battery pack.

**Charging procedure:**

- 1.- Connect the battery charger to a nearby 230 Vac wall outlet. The battery charger LED lights green.
- 2.- Lift the rubber cover at the back of the battery pack and insert the charger connector into the battery pack connector located below the rubber cover. The charger LED lights red. The charger LED lights green when the battery pack charge is complete.

### 8.- TECHNICAL SPECIFICATIONS:

**GENERAL:**

- Frequency range: 26.565 MHz to 27.99125 MHz (According programming of the country where you want to use the transceiver).
- Frequency control: Phase lock loop (PLL) synthesizer.
- Channel spacing: 10 kHz.
- Modulation type: AM/FM.
- Frequency stability: 0.005 %.
- Operating temperature range: -25 °C to +50 °C.
- Power supply: Li-Ion battery pack 7.4 Vdc/2200 mAh.
- Antenna impedance: 50 Ω.
- Dimensions (mm): 120 (H) x 54 (W) x 35 (D).
- Weight (gr): 250 gr (with battery pack).

**TRANSMITTER:**

- Maximum RF power: 4 W.
- Audio frequency response: 300 Hz to 2.5 kHz.
- Spurious emissions: ≤4 nW (-54 dBm).

**RECEIVER:**

- AM sensitivity: <1  $\mu$ V for 10 dB (S/N).
- FM sensitivity: <0.2  $\mu$ V for 12 dB (S/N).
- Image rejection ratio: >-65 dB.
- Adjacent channel selectivity: >-55 dB.
- Automatic gain control: 100 mV for 10 dB.
- Squelch adjustable: 6 levels.
- Audio output power: >0.5 W.
- Signal to noise ratio: >40 dB.
- Incorporated speaker: 8  $\Omega$ , 1 W.

**9.- CHANNELS AND FREQUENCIES TABLE:**

Setting countries table				
Setting	Channels number	Modulation	TX Power	Frequency bands
EU	40 CH	FM/AM	4 W	26.965-27.405 MHz
EC	40 CH	FM	4 W	26.965-27.405 MHz
d	40 CH	CH 1~CH 40 AM/FM	4 W	26.965-27.405 MHz
	80 CH	CH 41~CH 80 FM	4 W	26.565-27.405 MHz
PL	40 CH	FM/AM	4 W	26.960-27.405 MHz
U	40 CH	FM	4 W	26.965-27.405 MHz
	40 CH	AM	4 W	27.60125-27.99125 MHz
IN	27 CH	AM/FM	4 W	26.965-27.275 MHz
IS	34 CH	AM/FM	4 W	26.965-27.225 MHz /
				26.875-26.955 MHz

**Note:**

- If the country setting of the CB-27 transceiver use is not in the table above, contact your salesperson or with the Telecommunications Authority of your country.

**10.- TROUBLESHOOTING:**

Check the instructions detailed in the following table if operation of the transceiver is incorrect.

Problem	Cause/Possible solution
The transceiver does not turn on when operating the [ON/OFF/VOL] control.	<ul style="list-style-type: none"> <li>- The battery pack was not installed correctly. Remove and replace the battery pack in the transceiver.</li> <li>- The battery pack is discharged. Proceed to the battery charge.</li> <li>- The battery pack is damaged. Replace the battery pack for a new one of the same characteristics as that supplied with this transceiver.</li> </ul>
The battery pack is quickly discharged after charging.	- Battery life is finished. Replace the battery pack for a new one of the same characteristics as that supplied with this transceiver.
The status LED indicator lights green but do not hear the speaker.	The volume control is not set correctly. Adjust the volume properly.
The transceiver not receive.	<ul style="list-style-type: none"> <li>- The antenna is not properly installed. Remove and replace the antenna.</li> <li>- The received signal is too weak. Move the transceiver to receive the signal correctly.</li> </ul>
<b>Once carried out these previous confirmations, if it continues having problems with the transceiver, consult with the Authorized Technical Service.</b>	

**11.- DECLARATION OF CONFORMITY:****PIHERNZ****EC DECLARATION OF CONFORMITY**  
(Declaración de conformidad CE)

We: PIHERNZ COMUNICACIONES, S.A. CIF: A-08671638.  
 Nosotros: Avda. Doctor Ramón Solanch i Riera, 13-15. 08905 Hospitalet de Llobregat-Barcelona (ESPAÑA).

Declare under its sole responsibility that the product:  
 Declaramos bajo nuestra exclusiva responsabilidad la conformidad del producto

Equipment: MULTISTANDARD FM/AM CB-27 HANDPORTABLE TRANSCEIVER  
 Equipo: TRANSCCEPTOR PORTATIL CB-27 FM/AM MULTINORMA  
 Brand name: JOPEX  
 Marca: JOPEX  
 Model: CB413  
 Modelo:

To which this declaration relates is in conformity with the requirements of the following directives:  
 A la que se refiere esta declaración, con las normas u otros documentos normativos

- ETSI EN 300 433-2 V1.3.1 (07-2011)
- ETSI EN 301 489-13 V1.2.1 (08-2002)
- EN 60950-1 (2006) - A11 (2009) - A1 (2010) - A12 (2011)
- EN 62311 (2008).

the presumption of Conformity with the essential requirements regarding Council Directive 99/05/EC, de acuerdo con las disposiciones de la Directiva 99/05/CE del Parlamento Europeo y del Consejo de 9 de marzo de 1999, transpuesta a la legislación española mediante el Real Decreto 1390/2000, de 20 de noviembre de 2000.

**RoHS Declaration of Conformity**  
Declaración de conformidad RoHS

Declare under its sole responsibility that the product:  
 Declaramos bajo nuestra exclusiva responsabilidad la conformidad del producto

JOPEX. CB413

Referred to this statement, with the provisions of Directive 2011/65/EU of the European Parliament and the Council of 8<sup>th</sup> June 2011 on restricting the use of certain hazardous substances in electrical and electronic equipment.

A la que se refiere esta declaración, con las disposiciones de la Directiva 2011/65/UE del Parlamento Europeo y del Consejo de 8 de junio de 2011 sobre restricciones a la utilización de determinadas sustancias peligrosas en aparatos eléctricos y electrónicos.

**The restricted substances are:**

Las sustancias restringidas son:

Lead (Plomo) <0.1%, Mercury (Mercurio) <0.1%, Hexavalent chromium (Cromo hexavalente) <0.1%, PBB (Bifenil Polibrominados) <0.1%, PBDE (Bifenil Eter Polibrominados) <0.1%, Cadmium (Cadmio) <0.01%

Product complies with RoHS Directive  
 Producto conforme con la Directiva RoHS



Hospitalet-Barcelona (Spain), 23-07-2015



Jordi Pi Anton  
 PIHERNZ COMUNICACIONES, S.A.

**CE 13130**



## 12.- GUARANTEE:

<b>WARRANTY CERTIFICATE</b>			
PIHERNZ COMUNICACIONES, S.A. CIF: A-08671638. Avda. Doctor Ramón Solanich i Riera, 13-15. 08905 Hospitalet de Llobregat-Barcelona (España). Telephone no: 93-334 88 00 / 93-449 10 95. Fax no: 93-440 74 63 / 93-334 04 09 www.pihernz.es			
Brand name:	Model:	Serial no.:	
Purchaser name:			
Address:		Stamp and name of the establishment sales:	
Country:	Postal code:		
Telephone no.:	Date of purchase of the equipment:		
<b>WARNING:</b> The warranty is valid provided it is total and properly executed in a readable and clear way, presents the stamp and name of the establishment sales and has attached the ticket of purchase of the apparatus.			

The suitable equipment presently in this Certificate is warranty by a period of TWO YEARS to count from the sale date to the end user according to the Law 23/2003 of warranties in the Sale of Goods of Consumption. This Certificate of warranty is only and nonnegotiable, not being able to be emitted again neither in original neither in copy. The substitution for damage of the equipment or of any piece of the same one it won't imply extension of the warranty.

The warranty covers the substitution and gratuitous reinstatement of all the pieces that present defects in the materials and components employees in the production and/or assembly of the equipment.

The warranty doesn't cover the possible damages caused by accidents, installation and inadequate use, discharge electric (e.g. lightning's), connection of a voltage different to the suitable one, investment of polarity in the power supply, neither due reclamations to deterioration in the external aspect for the normal use, neither to the quantity or condition of the accessories.

The confirmation of the accessories is the acquirer responsibility in the moment of the purchase of the equipment.

The warranty doesn't cover the rechargeable batteries neither although these are part of the acquired equipment since they are considered fungible material; its possible deterioration should be communicated in a maximum term of 15 counted DAYS starting from the date of purchase of the equipment.

The warranty will be annulled in the following suppositions:

- 1.- Equipment that have been manipulated by third people or for personal unaware to the Technical Authorized Service.
- 2.- Equipment and accessories in those that the serial number has been modified, erased or show up illegible.
- 3.- I use of the equipment different to which is dedicated.

To make use of the warranty it is necessary to surrender in the establishment sales or in some of the Technical Authorized Services the equipment damaged together with their accessories and the following documentation:

- 1.- Properly executed and sealed warranty certificate.
- 2.- Original ticket in the one that is identified the apparatus and the purchase date clearly.
- 3.- Description of the damage or opposing defects.

The contained warranty terms presently in this Warranty Certificate doesn't exclude, they modify or they restrict the right that legally has the acquirer for application of the effective Laws in the moment of the purchase, but rather they are added to the same ones.