

85 cents

hr

focus
on
communications
technology . . .

ham radio

magazine

MARCH 1974

this month

- repeater access system 22
- six-meter frequency synthesizer 26
- vertical antenna characteristics 34
- digital readout system 42



simple ssb
TRANSMITTER
AND RECEIVER
for 40 meters

Savoy

BASSETT

High efficiency mobile and portable antennas for all amateur bands, CAP, MARS, CB, SECURITY, PUBLIC SERVICE, MARINE, AND GOVERNMENT USE.

- 2-6-10-15-20-40-75
- Identical size, cost, and appearance
- FULLY ADJUSTABLE TO FREQUENCY IN FIELD
- Low weight, low drag, high strength fiberglass
- Polished chrome brass standard 3/8-24 thread
- High gain collinear on 2 meters

MODEL DGA-2M
\$29.50 postpaid
in U.S.A.



\$3.75

Postpaid in U.S.A.

TYPE 900 A

TYPE 901



HIGH ACCURACY CRYSTALS FOR OVER 30 YEARS

Either type for amateur VHF in Regency, Swan, Standard, Drake, Varitronics, Tempo, Yaesu, Galaxy, Trio, Sonar, Clegg, SBE, Genave.

Quotes on request for amateur or commercial crystals for use in all other equipments.

Specify crystal type, frequency, make of equipment and whether transmit or receive when ordering.



BASSETT VACUUM TRAP ANTENNA SYSTEM

Complete packaged multi-band antenna systems employing the famous Bassett Sealed Resonators and Balun from which air has been removed and replaced with pure helium at one atmosphere. Operating bands are indicated by model designation.

MODEL DGA-4075	\$59.50
MODEL DGA-204075	\$79.50
MODEL DGA-2040	\$59.50
MODEL DGA-152040	\$79.50

BASSETT VACUUM BALUN



The famous sealed helium filled Balun employed with the DGA Series Antenna Systems. Solderless center insulator easily handles more than full legal power while reducing unwanted coax radiation. Equipped with a special SO-239 type connector and available either 1:1 or 4:1.

MODEL DGA-2000-B . . . \$12.95
Postpaid in U.S.A.

CONTACT YOUR DISTRIBUTOR OR WRITE FOR DATA

Savoy Electronics, Inc.

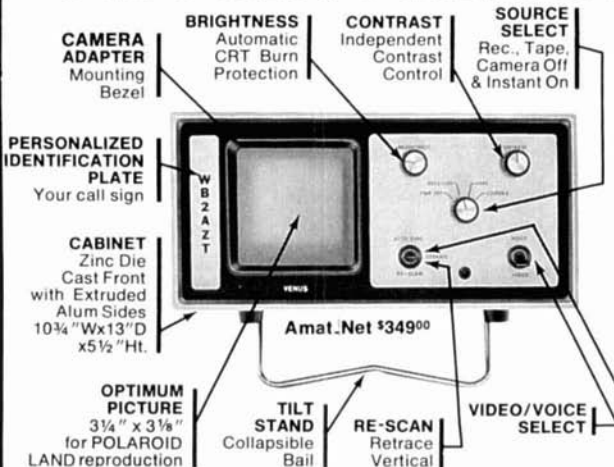
P.O. Box 5727 - Fort Lauderdale, Florida - 33311

Tel: 305-563-1333 or 305-947-9925

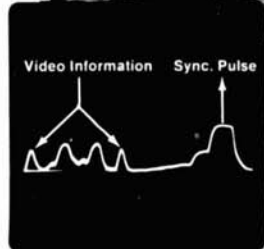


2nd generation slo-scan system

Venus Slo-Scan TV monitor



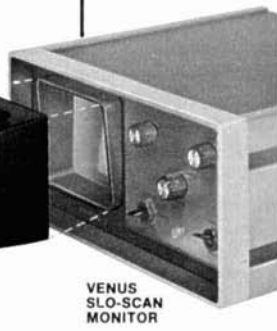
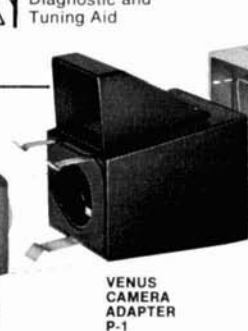
Actual unretouched photo taken from the Venus SS2 using a Polaroid Color Pack II Camera mounted on the Venus P-1 Camera Adapter



ACCU SYNC[Ⓞ]
Diagnostic and Tuning Aid

CAMERA ADAPTER P-1 enables you to take photographs "right-off-the-air" and accepts a Polaroid Color Pack or a Polaroid Square Shooter.

Allows photographing in a lit room
Simple-snap mounting for quick and accurate picture taking
Simultaneous hood viewing of picture being taken by camera
Instant QSL via SSTV
Amat. Net \$34⁵⁰



VENUS' SLO-SCAN CAMERA *has arrived!*

SEE IT AND US AT THE DAYTON HAMVENTION
IN APRIL

ORDER DIRECT FROM FACTORY OR AUTHORIZED DISTRIBUTOR AS FOLLOWS

NEW YORK (Metropolitan Area) Barry Radio • MASS. (Medford) A. W. Electronics • CALIFORNIA (Burlingame) Ham Radio Outlet • FLORIDA (Pensacola) Goldstein's • FLORIDA (Miami) Argon Electronic • NEBRASKA (Omaha) Radiosmith

Venus Scientific Inc.

The company that put high voltage on the moon, now brings you expanding amateur radio technology.

399 Smith Street
Farmingdale, N.Y. 11735
Phone 516-293-4100
TWX 510-224-6492

NEW DRAKE TR-72

2-Meter FM Transceiver



- 23 Channels
- Superior Selectivity
- Completely Solid State

\$320⁰⁰

Including dynamic microphone, DC power cord, mobile mount and desk mount brackets, microphone hanger, auxiliary connector, and external speaker plug

GENERAL: • Frequency coverage: 144-148 MHz • 23 channels, 2 supplied (.52/.52 and .34/.94) • Completely solid state • Current drain: Rcv 0.4 A, Xmit 2.7 A (Hi power) or 1.2 A (Lo power) • Voltage required: 13.8 VDC • Antenna impedance: 50 ohms • Frequency adjusting trimmers on every crystal • Size: 7 $\frac{1}{16}$ "W x 2 $\frac{3}{8}$ "H x 9 $\frac{7}{16}$ "D (18 x 6 x 24 cm) • Weight: 5 $\frac{1}{2}$ lbs. (2.5 kg).

TRANSMITTER: • RF output power: 10 W min. (Hi power) or 1 W (Lo power) at 13.8 VDC • Frequency deviation: adjustable to ± 15 kHz max., factory set to ± 6.5 kHz • Automatic VSWR protection

RECEIVER: • Crystal-controlled, double conversion superhet • Sensitivity: Less than .35 μ V for 20 dB quieting • Selectivity: 20 kHz at -6 dB (± 30 kHz and adjacent channel rejection at least 80 dB down) • Audio output: 1 W • Audio output impedance: 8 ohms • Modulation acceptance: ± 7 kHz • Image rejection: -65 dB • Intermodulation and other spurious responses: at least 70 dB down.



AC-10 POWER SUPPLY
for 115 VAC operation
\$39.95

For complete details contact:

R. L. DRAKE COMPANY

540 Richard St., Miamisburg, Ohio 45342
Phone: (513) 866-2421 Telex: 288-017

March, 1974
volume 7, number 3

staff

James R. Fisk, W1DTY
editor-in-chief

Joseph Schroeder, W9JUV
editor

Patricia A. Hawes, WN1QJN
assistant editor

J. Jay O'Brien, W6GDO
fm editor

Alfred Wilson, W6NIF
James A. Harvey, WA6IAK
associate editors

Wayne T. Pierce, K3SUK
cover

T.H. Tenney, Jr. W1NLB
publisher

Hilda M. Wetherbee
assistant publisher
advertising manager

offices

Greenville, New Hampshire 03048
Telephone: 603-878-1441

ham radio magazine is
published monthly by
Communications Technology, Inc
Greenville, New Hampshire 03048

Subscription rates, world wide
one year, \$7.00, three years, \$14.00
Second class postage
paid at Greenville, N.H. 03048
and at additional mailing offices

Foreign subscription agents
United Kingdom
Radio Society of Great Britain
35 Doughty Street, London WC1, England

All European countries
Eskil Persson, SM5CJP, Frotunagrand 1
19400 Upplands Vasby, Sweden

African continent
Holland Radio, 143 Greenway
Greenside, Johannesburg
Republic of South Africa

Copyright 1974 by
Communications Technology, Inc
Title registered at U.S. Patent Office
Printed by Wellesley Press, Inc
Framingham, Massachusetts 01701, USA

ham radio is available to the blind
and physically handicapped on magnetic tape
from Science for the Blind
221 Rock Hill Road, Bala Cynwyd
Pennsylvania 19440
Microfilm copies of current
and back issues are available
from University Microfilms
Ann Arbor, Michigan 48103



contents

6 ssb and CW transceiver

W. J. Weiser, M. D., VE3GSD

22 open repeater access system

R. B. Shreve, W8GRG

26 six-meter frequency synthesizer

Kenneth W. Robbins, W1KNI

34 vertical antenna characteristics

Robert E. Leo, W7LR

38 lowpass filters for solid-state linears

G. Kent Shubert, WA0JYK

42 simplified digital readout system

Harold W. Thompson, W6OIS

50 how to bias fets

Courtney Hall, WA5SNZ

4 a second look

56 ham notebook

94 advertisers index

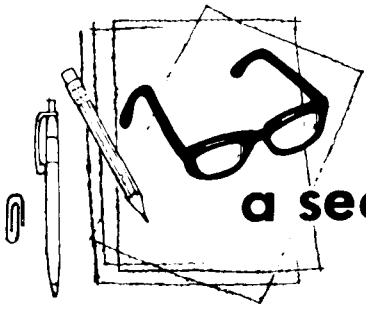
58 new products

54 comments

94 reader service

83 flea market

64 short circuits



a second look

by Jim
fisk

A few months ago, down in Oklahoma, several old-time radio amateurs, each now retired, attended an auction of the electronics equipment and *junk* collection of a prominent local amateur. From all reports, it was quite a collection, filling four large warehouses. Except for the huge volume (and original cost) the collection resembled the typical "hell box" of every amateur who lived through the halcyon days when building your own transmitter was conventional practice and everyone eagerly added to his junk collection at every possible opportunity. The same is still true to a somewhat lesser extent, with amateurs maintaining large collections of old and new electronic goodies for some, yet unplanned, project. Talk to any amateur who has been around for a few years and you're sure to find a garage, an attic or a basement full!

However, there was one big difference in the Oklahoma collection. Where most radio amateurs painfully part with dollars, this amateur had painlessly parted with thousands of dollars. The contents of the four warehouses vividly reflected this difference. Think back a few years — what was the most delectable piece of radio gear you could imagine? It was probably in the Oklahoma collection. And not just one, but several. Parts, radio sets, test equipment, you name it, it was all there in unimaginable profusion. One whole warehouse floor was crammed full of big transmitters, spark coils and rotary gaps for 1920-style transmitters, spider-web coils and thousands of variable capacitors of every possible make and description. The list could go on for pages.

Now here's the tragedy: These priceless articles, which belong in a museum, were grouped in huge lots with utter junk and sold to the only people who can handle large lots of junk — junk dealers! The probability that these dealers have

the background to differentiate between the valuable antique and the valueless junk is frighteningly small. Antiques that can never be replaced, items not preserved in any collection, are going to be bulldozed under at a county landfill dump, and that's a bloody shame.

This scene, on a much more modest scale, is probably repeated many times a year. Without getting morbid, each one of us should realize that we are not immortal. Each of us has a collection of electronic gear that we've acquired over the years that will, if someone doesn't know any better, be bulldozed under with the trash at the city dump when we join the list of Silent Keys. Each item, when you acquired it, represented a jewel to be treasured and was carefully put away. If you were ever so careless as to toss out one of these treasures, you could be sure you would have an almost immediate pressing need for an identical article. I know, because it's happened to me everytime I've cleaned house!

The point is this: Talk to your heirs. Clue them in as to what items belong in a museum. Better yet, make arrangements with the executor of your estate to donate certain prized items to the museum of your choice. This applies not only to equipment, but to your library of old electronics books. The same sort of foresight applies to your newer equipment as well. Give your executor the names of several trusted amateur friends who will help dispose of modern radio gear and test equipment. They will know the fair market value — the executor may not. There have been more than a few cases where an amateur's survivors have been ripped off to the tune of thousands of dollars. Don't let it happen to your family.

Jim Fisk, W1DTY
editor-in-chief



A YEAR OLD... and ALREADY A WORLD TRAVELER

The Raytheon 1230A is in daily use at locations throughout the world. We think it's significant that the 1230A has been chosen for use in places where day-in and day-out reliability are a must — from mid-Pacific to central Africa. Reliability and performance are two important reasons for choosing the Raytheon 1230A — our data sheet lists many more. Send for it.

\$3930

RAYTHEON

RAYTHEON COMPANY
MARKETING DEPT. (SP)
P. O. BOX 1542
GOLETA, CALIFORNIA 93017
AREA CODE 805 967-5511

simple ssb transmitter and receiver for 40 meters

Complete construction
information for a
no-frills ssb and CW
transceiver system
that offers
high performance
at low cost

This article describes a simple, high-performance 40-meter ssb and CW receiver and transmitter. The receiver incorporates a very stable vfo and incremental tuning while the transmitter features 180-watt PEP input. Although the receiver was designed to operate in conjunction with a companion 40-meter exciter, it can also be used with any number of separate exciters.

Furthermore, the basic design can be used on any of the amateur bands from 80 through 10 meters by simply using the appropriate tuned circuits in the rf and mixer stages, and by changing the frequency of the vfo so it tunes 455 kHz below the desired band. For maximum stability vfo pre-mixing should be con-

sidered for the two higher-frequency bands, 10 and 15 meters.

the receiver

A look at the block diagram in **fig. 1** shows that the basic receiver circuit is a rather conventional single-conversion super-heterodyne. The incoming 7-MHz signal is coupled to the first rf amplifier, Q1, amplified, and applied to gate 1 of the mixer, Q2 (**fig. 2**). The dual-gate mosfets used in the rf amplifier and mixer stages provide high gain, low noise and a minimum of cross-modulation problems. These particular devices are also internally gate protected, a significant bonus when the receiver is used in strong rf fields. Diodes CR1 and CR2 are included in the input circuit as additional protection to the first rf stage.

The 6.545- to 6.845-MHz vfo signal is injected at gate 2 of the mixer. The 455-kHz difference frequency is selected by the i-f transformer, T1. The very stable vfo circuit features incremental tuning and output buffering, and is a modification of an earlier design (**fig. 3**).¹ Output buffering is provided by the emitter-follower stages Q6 and Q7. Transistor Q7 also serves as a power amplifier, allowing the vfo to drive a 7360 balanced mixer tube used in the companion exciter.

The incremental tuning circuit uses a Motorola MV1654 varactor diode, CR3. This circuit permits an approximately 10-kHz offset to either side of the vfo frequency. The control voltage on the varactor is set by R3, the offset tuning control. Resistor R4 compensates for differences in varactors and allows the vfo to be adjusted to zero offset.

W.J. Weiser, M.D., VE3GSD, 98 Banstock Drive, Willowdale, Ontario, Canada

Switch S2 allows the receive offset to be activated manually; receiver offset is automatically turned off by relay K1 when the receiver is placed in the transmit or standby mode. This particular type of switching is necessary because a 1.5-kHz frequency difference between the transmitted and received signal exists at my station. This frequency difference resulted from the use of a 455-kHz mechanical filter in the exciter and a 453.5 kHz filter in the receiver. If you are building from scratch, I recommend that

described receiver (fig. 6).² The use of a CA3028A as the product detector allows significant conversion gain in this stage. The high-impedance output of the CA3028A is matched to the base of the audio preamplifier transistor, Q8, through transformer T5. Although the Motorola MC1454 provides more than sufficient audio output, an MC1554 or HEP593 may be substituted for even more audio. Alternately, a Motorola MFC9010 can be used to replace both Q8 and U2 and deliver about 2-watts of audio.³

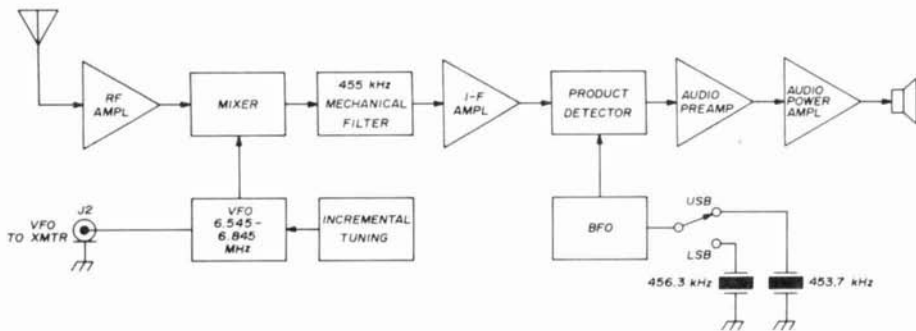


fig. 1. Block diagram of the single-conversion 40-meter receiver ssb and CW receiver.

you use a 455-kHz filter in the receiver, such as the Collins FA21-7102.

The two-stage i-f amplifier, Q3 and Q4, is relatively straightforward and provides more than enough i-f gain (fig. 4). For the sake of simplicity I did not include an agc system in the receiver — if you want to include agc, it should be connected to gate 2 of the rf and i-f amplifier stages, Q1, Q3 and Q4.

An MPF102 fet is used in a simple bfo circuit which is based on the old tuned-grid, tuned-plate vacuum-tube circuit (fig. 5). Bfo output is taken from the secondary of transformer T4. For optimum performance of the CA3028A product detector, U1, the amplitude of the bfo injection voltage should be 2 to 3 volts rms. The sideband crystals are selected by switch S1. The crystal frequencies shown in the diagram are for use with a Collins 455-kHz mechanical filter.

The product detector and audio stages used here were adapted from a recently

In my receiver with the audio gain control, R2, adjusted for maximum gain, the MC1454 was driven into oscillation by transistor Q8. This was corrected by bypassing a small amount of the input audio signal to ground through C7 (0.1 μ F). Because of component differences, and differences in circuit layout, you may not require this bypass capacitor.

Any well-regulated power supply with an output of 12 to 13.5 volts may be used with this receiver. Excellent voltage



Homebrew 40-meter receiver uses all solid-state circuits.

at the output of the mechanical filter. Since a reading of 0.1 volt is typical here, a sensitive rf probe and voltmeter is required.

To align the i-f amplifier a 455-kHz signal is applied to gate 1 of transistor Q3 and transformers T2 and T3 are tuned for maximum signal at the output of T3. The bfo should require no adjustment although T4 may be tuned, as required, if the bfo fails to oscillate.

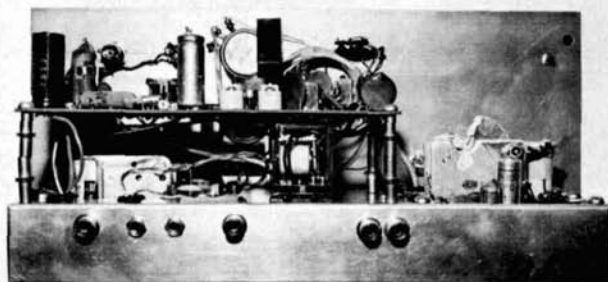
After each of the individual boards has been tested and aligned, and the receiver has been assembled, final peaking can be

the midpoint of this dc voltage swing. With the incremental tuning turned off, vfo output is centered at its mid-frequency point with R4, and resistor R3 will move the vfo about 10 kHz to either side of this center point.

receiver performance

The performance of the receiver is most rewarding. It appears to be as sensitive as my FTDX-401, and its frequency stability is excellent. No significant vfo warmup drift has been noted, the audio is apparently distortion free,

Rear view of the 40-meter receiver. The product detector and audio board is mounted on 1-3/4" spacers. Relay K1 is underneath the board while the vfo tuning capacitor is on the right.



accomplished with an on-the-air signal. The rf amplifier, mixer and i-f stages are tuned for maximum receiver gain. To obtain good tracking with C1 it is necessary to alternately re-tune the mixer and rf amplifier coils, L1 and L3, several times. The vfo inductor, L4, is accurately adjusted and the tuning dial calibrated with the aid of a communications receiver equipped with a crystal calibrator.

To align the incremental tuning system, monitor the received frequency, adjust resistor R3 and note the amount of frequency change. A 40% change in the resistance of R3 should result in an approximate 20-kHz shift in the vfo frequency. The dc voltage range coinciding with this frequency shift is measured at the wiper of R3 and should be in the range from zero to about 2.5 volts.

When the dc voltage required for a 20-kHz frequency shift has been determined, the wiper of resistor R4 is set to

and the set provides more than enough gain. One very pleasing feature of the mosfet stages is their very low noise figure. The ambient noise level in this receiver is the lowest of any comparable receiver I have ever used.

the transmitter

The 180-watt PEP ssb transmitter may be used as a separate unit, or with the receiver. The unit is completely self-contained and incorporates a stable vfo, power supply and all the necessary control functions for antenna switching and receiver muting. The use of an RCA 7360 beam-deflection tube for the balanced modulator and balanced mixer stages provides excellent carrier suppression and local-oscillator rejection, two requirements that are difficult to achieve in single-conversion ssb exciters which use a 455-kHz i-f.

A block diagram of the transmitter is

shown in fig. 8. The output of the high-impedance microphone is amplified by V101, and applied to one of the deflection electrodes of V102, the 7360 balanced modulator. The crystal-controlled carrier signal is injected at the cathode (see fig. 9). The 455-kHz

grid 1 and grid 2) serves as a self-oscillatory carrier generator, with switch S101A selecting either Y101, a 455-kHz crystal for tuneup or CW, or Y102, 456.25-kHz crystal for lower-sideband operation. For tuneup or CW one of the deflection plates of V102 is grounded by

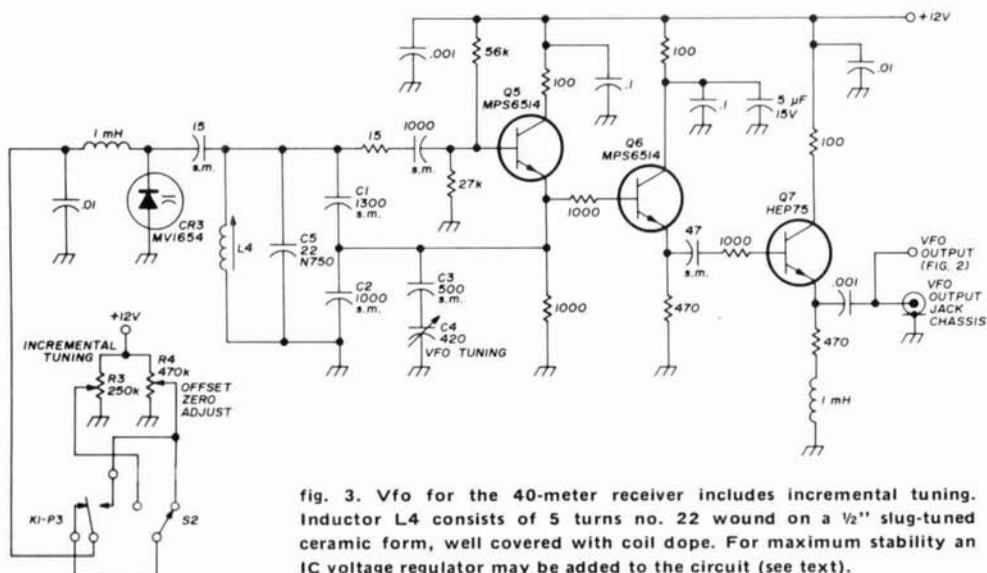


fig. 3. Vfo for the 40-meter receiver includes incremental tuning. Inductor L4 consists of 5 turns no. 22 wound on a 1/2" slug-tuned ceramic form, well covered with coil dope. For maximum stability an IC voltage regulator may be added to the circuit (see text).

double-sideband output signal is coupled into a Collins mechanical filter.

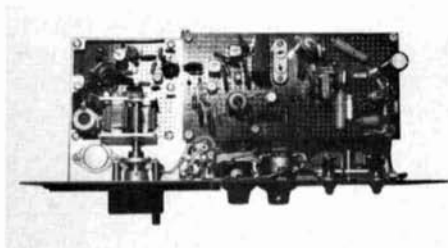
One of the absolute requirements of a modern single-sideband exciter is adequate carrier suppression. By using a 7360 beam-deflection tube up to 60-dB of carrier suppression can be achieved if careful construction and layout have been followed, and the circuit has been properly adjusted.

The triode section of V120 (cathode,

switch S101B, effectively unbalancing the modulator so that a 455-kHz carrier signal appears across the output network. In ssb service the audio signal applied to one of the deflection plates unbalances the modulator.

Another requirement for effective and courteous single-sideband operation is adequate suppression of the unwanted sideband. The Collins mechanical filter can provide up to 60-dB of sideband attenuation if careful attention is given to mechanical layout, and stray coupling is prevented between the input and output of the filter. The filter also attenuates the 455-kHz carrier signal by an additional 20 dB. The 120-pF capacitor across the output of the filter helps match the output impedance of the filter to the input impedance of the 6BA6 i-f amplifier, V103 (see fig. 10).

The ssb signal from the output of the 6BA6 i-f amplifier is coupled through



Top view of the receiver chassis. The vfo board is to the left, the product detector and audio board to the right.

transformer T101 to V104, the 7360 balanced mixer. The triode section of V104 is used in a Colpitts-type internal vfo. Capacitor C102 is the main tuning capacitor and C103 and C104 serve both as frequency-trimming and temperature-compensating capacitors. For transceiver

short as possible and the input and output must be sufficiently isolated; the 33-ohm non-inductive resistor in series with the grid serves as a parasitic suppressor.

The screen bypass capacitor is soldered directly across the base of the 6GK6

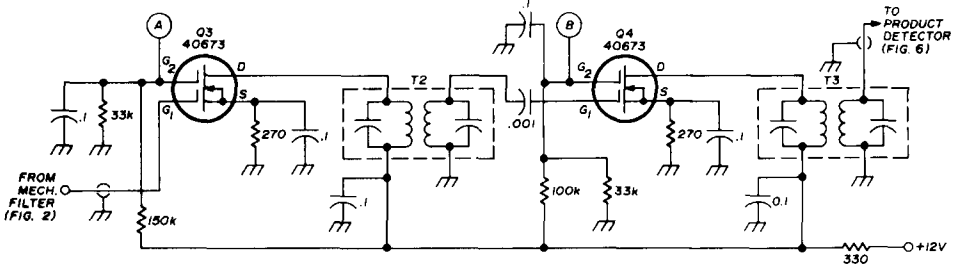


fig. 4. Two-stage 455-kHz i-f amplifier. Transformers T2 and T3 are miniature 455-kHz input i-f transformers.

operation the internal vfo is bypassed and an external vfo coupled into grid 1 through switch S102.

One problem when designing a 40-meter ssb exciter using a 6.545-MHz vfo and a 455-kHz i-f in a single-conversion system is inadequate vfo suppression. Since the vfo frequency is only separated from the desired output frequency by 455 kHz, a single-tuned resonant circuit in the output of a conventional mixer stage would probably not be adequate to sufficiently attenuate the vfo signal.* However, by using a 7360 beam-deflection tube as a balanced mixer, up to 40-dB of vfo rejection is possible.

The 7.0- to 7.3-MHz ssb output from V104 is coupled through L102-L103 to the 6GK6 driver stage, V105, fig. 11. A 6GK6 was selected as the driver because it offers considerable gain and can safely handle a 300-volt plate supply. However, because of its high gain, care must be taken to prevent instability and self-oscillation. All leads must be kept as

socket between the input and output pins and the ground end is also soldered to the central pin of the socket. This technique provides an effective grounded shield between the input and output circuits of the driver stage.

The output of the 6GK6 driver is coupled into the grids of V106 and V107, the 6146B power-amplifier tubes through C106 and L104. Capacitor C106 should be pruned by removing plates from a miniature variable capacitor until the tuned circuit resonates from 7.0 to 7.3 MHz with one full revolution of the shaft. Fix-tuning the power amplifier's grid circuit to the desired band makes tuneup simple and prevents the operator from inadvertently tuning the final amplifier to some unwanted spurious signal that may appear at the output of the high-gain

*Both single- and double-tuned bandpass circuits were tried by the author. The double-tuned bandpass arrangement was workable with a conventional 6BA7 mixer stage, but it allowed an unacceptably high level of vfo signal to feedthrough to the driver stage.

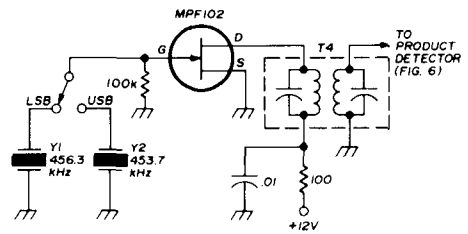


fig. 5. The 455-kHz bfo stage. T4 is a miniature 455-kHz i-f input transformer.

driver stage. Resistor R105, a 5000-ohm, 5-watt wirewound potentiometer, serves as the driver gain control.

A pair of 6146Bs in parallel are used as a power amplifier (fig. 12). These tubes are still among the best power amplifier tubes for ssb service, offering good linear-

the cathode keying line to prevent self-oscillation. Parasitic suppressors Z101 and Z102 help minimize any high-frequency instability. With these techniques, I did not find it necessary to neutralize either the driver or PA stages. Both are extremely stable.

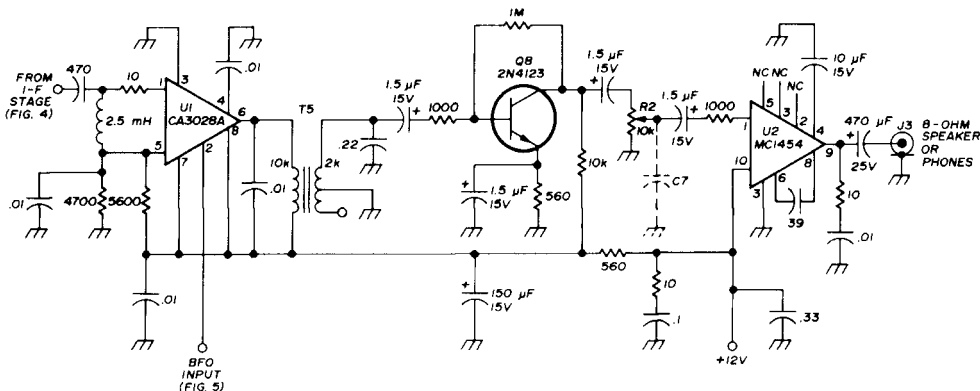


fig. 6. Product detector, audio preamplifier and audio output stage. Capacitor C7 (0.1 μ F) may be required to suppress an oscillating output stage (see text).

ity, excellent IMD characteristics and good power sensitivity. They can also withstand considerable abuse during groggy-eyed, early morning DX chasing tune ups.

As with the driver stage, considerable care must be taken in keeping leads short around the PA stage sockets, separating input and output circuits, and shielding

The final-amplifier tank circuit is a standard pi network. Capacitor C108 is a surplus, high-voltage 400-pF variable. With the values specified for C107 and L105, the stage loads nicely into a 50-ohm resistive load. You may wish to change the value of L105. In that case an additional capacitance (C109, 100-400 pF) may be needed in parallel with C108 to load properly. Or, if you wish, a triple-section 365-pF broadcast variable, with all sections in parallel, may be substituted for C108.

In the interest of simplicity and thriftiness, a grid and plate current metering system was excluded in favor of a simple rf output indicator. A sample of the output rf is applied to a 1N34A diode through a voltage-dividing network; the rectified dc is filtered and read on a 0-1 millimeter. Resistor R106 serves as a sensitivity control.

transmitter control circuits

Since this exciter was intended to work in conjunction with the matching receiver, antenna switching and receiver muting functions were included in the

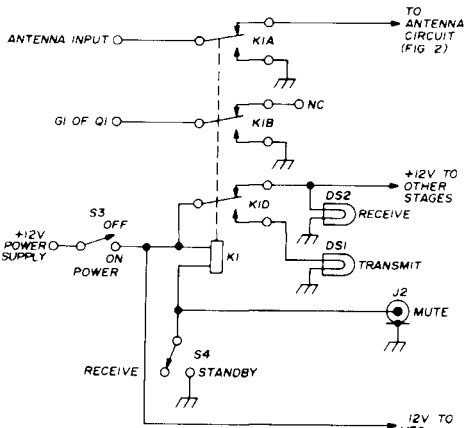


fig. 7. Switching and control circuits for the 40-meter receiver. Relay K1 is a miniature 4-pole relay with a 12-volt coil.

design. All control functions are provided by two surplus, 6800-ohm, 55 Vdc relays. One relay, K101, switches antennas and functions in receiver muting while the other, K102, is used for B+ switching between transmit and standby (see fig. 13).

ternal vfo, to talk himself on frequency using the companion receiver as a monitor.

power supply

The 350-0-350-volt center-tapped winding of transformer T102 is used in a

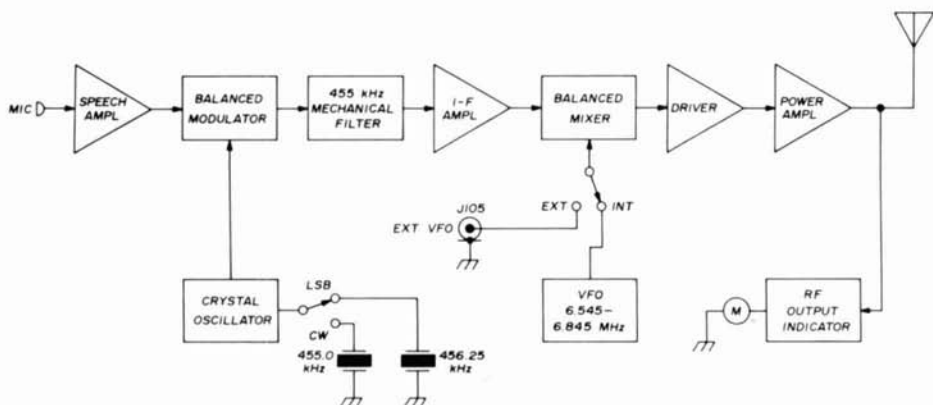


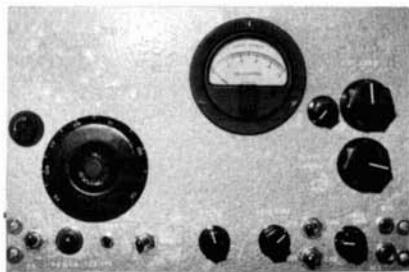
fig. 8. Block diagram of the 40-meter ssb and CW transmitter. Power input is about 180-watts PEP.

One relay section, K101A, switches the antenna between the receiver and exciter while K101B grounds the exciter output during standby. A third section, K101C, activates the receiver's muting relay during transmission.

The second relay switches the 210- and 310-volt B+ supplies to the final-amplifier tubes and the driver, respectively, via K102C and K102A. Another section, K102B, switches 210-volts to the speech amplifier, V101, and i-f amplifier, V103, during transmit. This B+ switching is paralleled by a second manual switching network, S104, which is used as a spotting switch.

With S104 in the *transmit* position, activating the PTT switch through S101 or the manual transmit/tune switch, S103 picks up the relays and switches the exciter from standby to transmit. With S104 in the *spot* position the PTT switch and S103 are interrupted and no relay switching can occur, but B+ is applied to the speech amplifier and i-f amplifier through S104B. This spotting function allows the operator, when using the in-

conventional full-wave bridge circuit to provide 750-volts dc for the final amplifier (see fig. 14). The 310-volt supply for the driver is obtained from the center tap after choke-input filtering. The regulated 210-volt supply is provided by a pair of OB2 regulators in series. Bias voltage for the 6146Bs was acquired by reversing a 6.3-volt filament transformer and rectifying the 117-volt winding. A 50k, 10-watt wirewound potentiometer, R5, is used as the bias voltage adjust control (see fig. 14).

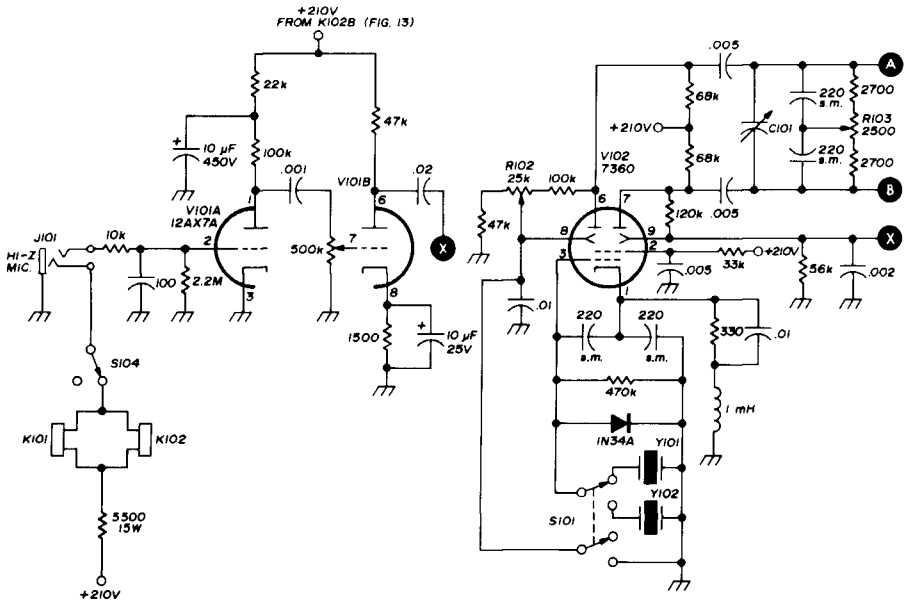


Front panel of the 40-meter ssb and CW transmitter. Power input is approximately 180 watts.

transmitter construction

The eternal frustration of any ardent home-constructor today is finding the needed parts. Most of the values given in this design can be varied; all the tuned-circuit inductors and capacitors of the tuned circuits, with the exception of the vfo, can be changed, of course, if required

closes the final-amplifier tubes and the pi network and is made of 1/16-inch-thick aluminum siding with a ventilated top cover. The plate-tuning and antenna-loading capacitor shafts are brought out to the front panel with 1/4-inch couplers and shaft-extenders. For the sake of neatness and compactness I used a rather



C101	5-25 pF NPO ceramic trimmer (phase balance control)
K101,K102	surplus 4-pole relays, 55-volt, 6800-ohm coil
R102	25k potentiometer (carrier amplitude control)
R103	2500-ohm potentiometer

S101	d.p.d.t. toggle switch (lower-sideband, carrier)
S104	d.p.d.t. toggle switch (spotting switch)
Y101	455.0-kHz crystal (carrier)
Y102	456.25-kHz crystal (lower side-band)

fig. 9. Speech amplifier and balanced modulator circuits. Complete relay switching system is shown in fig. 12.

resonant frequencies are maintained. The seasoned builder may have his own scheme of chassis layout and wiring, and neither is particularly critical.

My transmitter was built into a 12x10x2-inch aluminum chassis. The photographs show the layout. In any chassis layout a straight-line approach is usually best and that is what I used, with the speech amplifier followed by the balanced modulator, the mechanical filter, the i-f amplifier and so on.

The power amplifier cage entirely en-

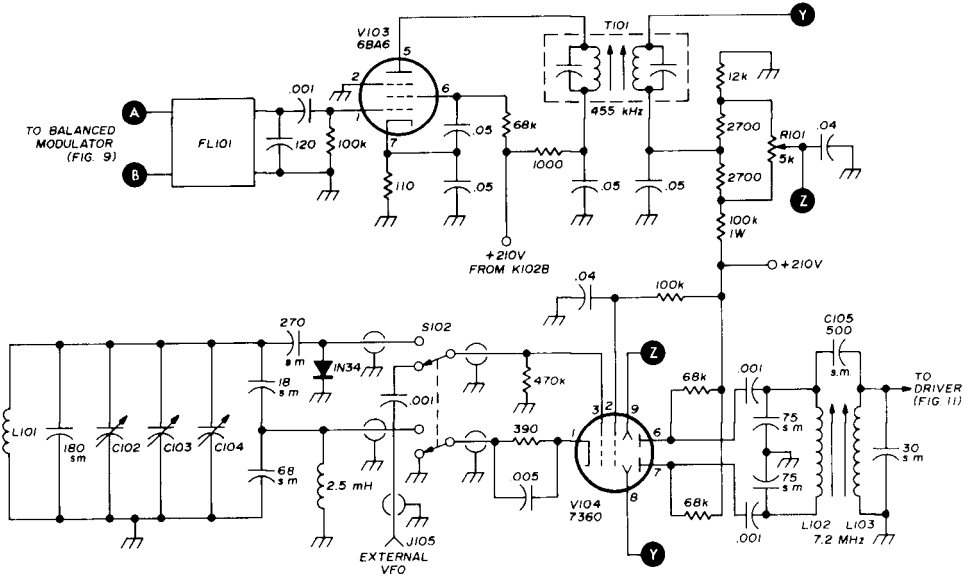
elaborate system of universal joints and gears to angle the shaft of capacitor C107 away from the speech amplifier tube, V101. This system can be avoided if you use a larger chassis or disrupt the straight-line layout by moving V101's socket closer to the edge of the chassis.

Two variable capacitors, C106 and C102, were modified for use in this design. The grid-tuning capacitor, C106, was originally a 25-pF miniature variable; all but one rotor plate was removed to achieve the desired resonance range of 7.0

to 7.3 MHz for one complete rotation. A small L-shaped bracket is used to mount C106 underneath the chassis.

The vfo main-tuning capacitor, C102, is a modified variable from a surplus ARC-5 receiver. The gear train and gear reduction ratio used on these capacitors make them ideal for amateur vfo applica-

switch S102. The vfo tank coil was closewound on a 1/2-inch diameter ceramic form and Q-doped several times. Finally, the entire vfo was enclosed by an aluminum shield. The mechanical precautions were justified by the excellent vfo frequency stability characteristics I obtained.



- C102 modified ARC-5 receiver tuning capacitor (see text)
- C103 4-25 pF NPO ceramic trimmer
- C104 4-25 pF N500 ceramic trimmer
- C105 500-pF silver mica (see text for other values)
- FL101 455-kHz mechanical filter (collins 455 FA21 7102)

- L101 12 turns no. 22 enamelled on 1/2" diameter ceramic form
- L102,L103 29 turns no. 22 enamelled on 1/2" diameter, slug-tuned form
- S102 dpdt toggle switch (internal/external vfo)
- T101 455-kHz i-f input transformer

fig. 10. Transmitter vfo, i-f and balanced mixer circuits. Colpitts-type vfo circuit tunes from 6.545 to 6.845 MHz.

tions. Only one capacitor section is used in the vfo. Each capacitor section had about 100-pF capacitance, and plates were removed until the entire excursion of C102 yielded a vfo range of 6.545 to 6.845 MHz with C103 and C104 set to midrange.

All the vfo components were securely soldered with short leads to firm tie points. Miniature shielded cable, soldered to frequent ground lugs, was liberally used in the switching circuitry around

As mentioned previously, great care should be taken to isolate the input and output circuits of all rf stages. Particular attention should be paid to circuit isolation around the mechanical filter as stray capacitive coupling between the input and output circuits here can significantly reduce sideband and carrier suppression.

transmitter alignment

Aligning the exciter is simple and should be done in stages, with each stage

being built and aligned before the next one is started. The speech amplifier needs no adjustment and can be checked by connecting an ac voltmeter between the plate of V101 and ground through a series blocking capacitor. Speaking into a high-impedance microphone should produce a swing of several volts on the meter.

maximum carrier suppression. With a typical rf probe virtually no rf voltage should be recorded at the plate of V103 when the balanced modulator is properly adjusted.

Final adjustment of the i-f amplifier is now accomplished with switch S101 in the *carrier* position. Move the rf probe to the secondary of T101 and alternately

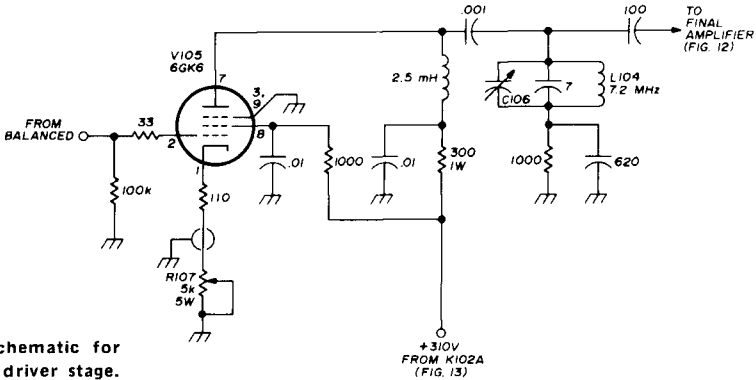


fig. 11. Schematic for the 6GK6 driver stage.

C106	approximately 5 pF (25-pF air variable with all plates removed except one)
L104	28 turns no. 26 enamelled on 1/4" slug-tuned form
R107	5000-ohm, 5-watt wirewound potentiometer

Since the mechanical filter has noticeable insertion loss, adjusting the balanced modulator is best done by monitoring the signal at the output of the 6BA6 i-f amplifier, V103. A vtm with an rf probe is coupled to the plate of V103, and switch S101 is placed in the *carrier* position. This unbalances the modulator and allows the 455-kHz carrier oscillator signal to pass through the mechanical filter. About 5- to 10-volts rf should be recorded by the probe. Next, tune the primary of transformer T101 for maximum rf voltage.

adjust the primary and secondaries of the i-f transformer for maximum rf voltage indication (typically 10 to 15 volts).

To adjust the balanced modulator for optimum carrier suppression, switch S101 is switched to the *lower-sideband* position. This switches in the 456.25-kHz carrier oscillator crystal, Y102, and any rf voltage measured at the plate of V103 is due to carrier. Alternately adjusting R102 and C101, the amplitude and phase balance controls, for minimum rf voltage sets the balanced modulator, V102 for

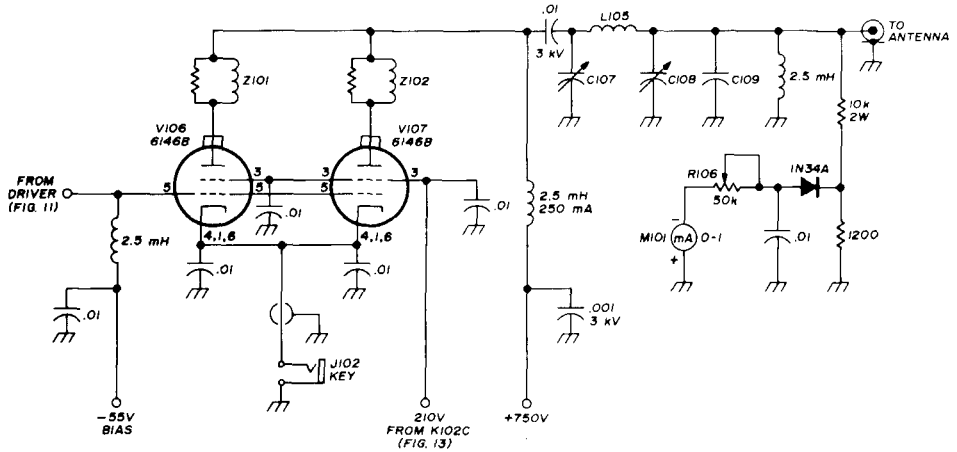
Putting the vfo on frequency can be most easily done by using a well-calibrated general-coverage receiver. If one is unavailable, a reasonably accurate grid-dip meter can be used to place the vfo within the proper general operating range. With capacitors C102, C103 and C104 set approximately at midexcursion, identify the vfo signal using a general-coverage receiver. Inductor L101 may have to be decreased or increased in value (by changing the number of turns) if the vfo signal is far from the desired range of 6.545 to 6.845 MHz. Now, with C102 at midrange, adjust C103 (and C104, if necessary) to bring the vfo frequency to 6.695 MHz. Temperature compensation was found to be unnecessary in my exciter as vfo warmup drift was quite acceptable and the frequency stability is excellent.

If you experience any excessive fre-

frequency drift during warmup, this may be minimized by experimentally adjusting C104 to an increased value while checking on the frequency stability. Generally speaking, an uncompensated vfo will drift to a lower frequency as the temperature rises; adding a negative coefficient capacitance will minimize this. If it is necessary to increase the value of C104, be certain

required, values of 10 to 100 pF can be used for C105, while still maintaining adequate mixer output.

Once the vfo has been set on the desired frequency, the balanced mixer can be easily aligned. During these adjustments, be certain that the internal vfo has been switched into the circuit. Place an rf probe on pin 2 of the empty driver socket



- C107, C108 400-pF, 1000-volt air variable (see text)
- C109 see text
- L105 23 turns no. 22 enamelled, close-wound on 1" ceramic form

- M101 0-1 mA meter
- R106 5000-ohm, 5-watt potentiometer (rf sensitivity control)
- Z101, Z102 parasitic suppressors, 8 turns no. 16 enamelled, wound around 10-ohm, 1-watt carbon resistors

fig. 12. Power amplifier and rf output meter. Grid and plate current metering may be added if desired.

to reduce the value of C103 to keep the vfo within the proper operating range.

Tuned circuits L102 and L103 were not adjusted in the conventional bandpass manner as there was more than enough drive from the mixer when its output circuit was peaked at 7.2 MHz to fully power the 6GK6 driver across the entire 7.0- to 7.3-MHz range of the exciter. The coupling capacitor, C105, connected across L102 and L103 is 500 pF. The 7360 balanced mixer offered so much carrier oscillator rejection that I opted for maximum mixer output by heavily coupling L102 and L103 at the expense of decreased selectivity of these tuned circuits. However, if more vfo rejection is

and, with S101 in the *tune* position and S104 in the *spot* position, alternately adjust L102 and L103 for maximum rf voltage. I measured more than 5 volts rf on the grid of V105 in my unit.

Maximum vfo carrier oscillator rejection is achieved in a similar fashion. Leaving the rf probe on pin 2 of V105, place S101 in the *lower-sideband* operating position, adjust R101, the rejection control, for minimum rf voltage. The 7360 balanced mixer is capable of about 40-dB carrier rejection and the measured voltage should be 0.05 volts or less with the proper adjustment of R101.

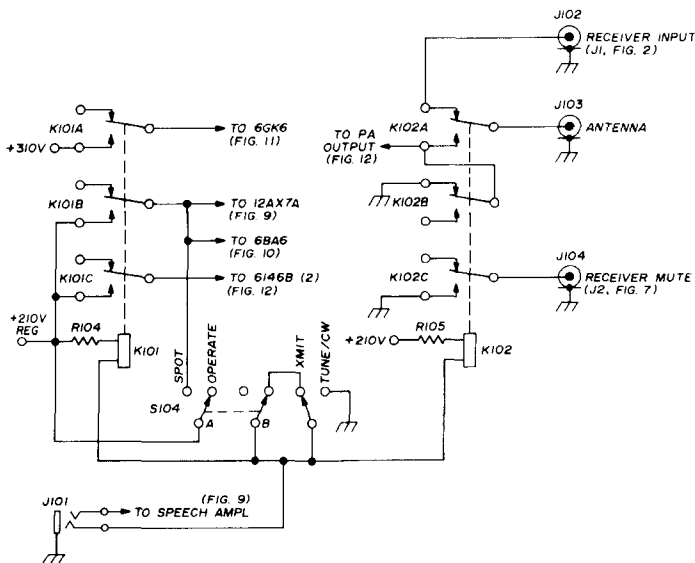
Before aligning the 6GK6 driver stage, be sure the final amplifier tubes, V106

and V107, are removed from their sockets. Place the rf probe on pin 5 of V106 (or V107) and set the driver control, R107, at midrange. Now place the exciter in the tune mode by switching S101 to the *tune* or *carrier* position and S104 to the *transmit* position. Move S103, the manual tune/transmit switch to the *tune* position, and with C106, the grid-tuning capacitor, at midrotation, adjust L104 for maximum rf voltage. Turning the driver output control, R107, should increase the

volts rf on voice peaks. The monitored, detected audio should be clear and crisp and without distortion.

Finally, switch the monitoring receiver to the upper sideband mode and check sideband suppression. No intelligible upper-sideband signal should be heard. With the sideband suppression check completed, all the low-level stages of the transmitter have been aligned and only the power amplifier and relative power output metering stages need be adjusted.

fig. 13. Voltage switching and transmitter and receiver control circuitry. Relays are shown in the standby (receive) position. Resistors R104 and R105 are voltage-dropping resistors, value chosen to reduce 210-volts dc to proper relay operating voltage.



measured output to a maximum of about 60 volts rf. Tuning C106 should further peak the driver output rf voltage.

As a final check of proper alignment, the exciter's single-sideband signal should be monitored with an amateur-band receiver. Keep the 6146Bs out of their sockets during this testing. Place S101 in the *lower sideband* position, S104 in the *transmit* positions and switch S102 to *internal vfo*.

Keep the rf probe on the grids of V106 and V107 and loosely couple the receiver to L104. With the PTT switch closed and without modulation, virtually no rf voltage should register, indicating good carrier and vfo oscillator suppression. Speaking into the microphone should give readings of about 35 to 40

When adjusting the PA stage remember that more than 750 volts exists there, and if touched inadvertently, that's more than enough to prematurely end a promising career. Place the 6146B power tubes in their sockets and connect a high-wattage 50-ohm dummy load to J104. Adjust R105 to supply about -55 volts bias to the grids of V106 and V107. Set the drive control, R107, to about midrange and the relative power output sensitivity control, R106, to about one-third. All the other operating controls should be set as previously described when monitoring the exciter's signal, except that switch S101 should be in the *carrier/tune* position. With the PTT switch or S103 closed, adjust C107 and C108, the plate-tuning and antenna-loading capacitors, for maxi-

imum deflection of the relative power output meter, M101. Resistor R106, the output meter sensitivity control, should be adjusted to keep the meter at about two-thirds deflection at maximum power output.

Finally, insert a dc milliammeter in the 750-volt line, and with S101 in the *lower-sideband* position and the PTT switch closed, adjust R107, if necessary, to bring the final amplifier idling current to about 60 mA. As an alternative, a

50-ohm dummy load wattmeter or an in-line monitoring oscilloscope can be used to tune the PA stage and adjust the rf output meter. Capacitors C107 and C108 are then simply adjusted for maximum rf output as read on the wattmeter, or as seen by maximum deflection of the carrier envelope on the scope. R106 is then adjusted for two-thirds meter deflection at maximum power output.

operating

Operating in either the ssb or CW modes is extremely simple. For both ssb and CW transmission the transmitter is initially tuned up as previously described for full carrier output. To use the exciter independently, S102 is switched to the *internal vfo*. With S101 in the *lower-sideband* position, placing S104 in the *spot* position will allow you to "talk" yourself on frequency while monitoring your signal with the station receiver. Once on frequency, simply switch S104 to *transmit* and all operating functions are controlled by the PTT switch.

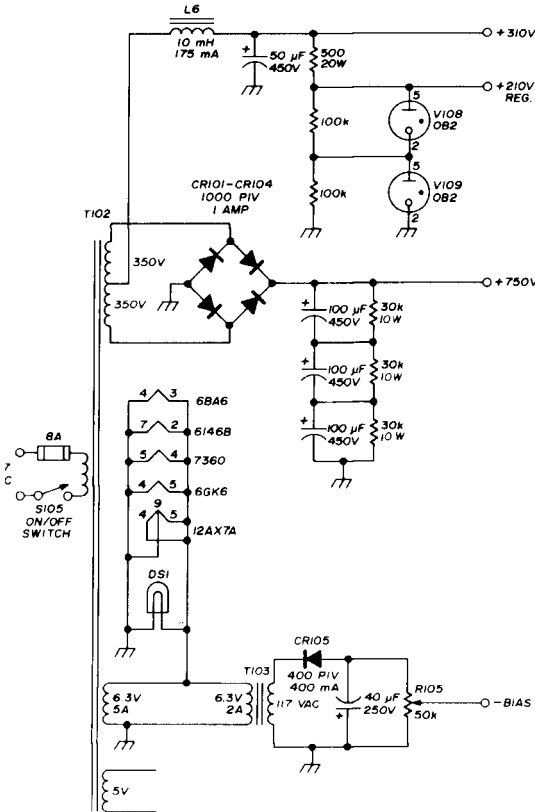
To operate in the transceive mode, connect the receiver vfo output to J105 using a shielded cable and switch S101 to the external vfo position. The exciter and receiver are now slaved to the receiver's vfo frequency, and ssb operation is the same as in the split function.

Although this exciter is primarily designed as an ssb unit, it puts out an excellent CW signal. To operate CW, simply tune up for maximum carrier output, then insert a key into J102. Switch S102 is left in the *carrier* position and S103 is used as a manual *CW/standby* switch.

circuit improvements

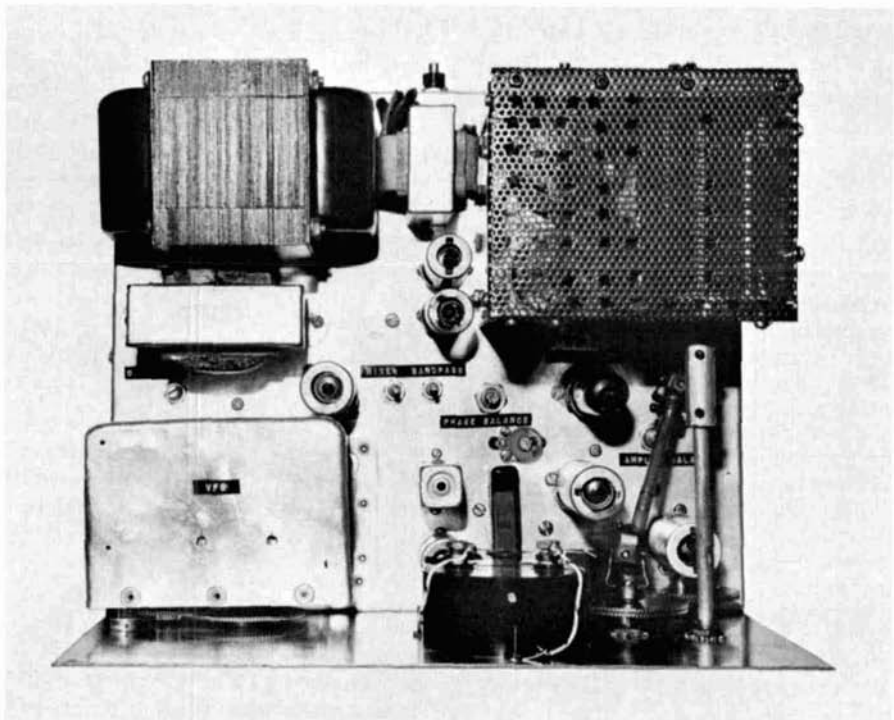
You may be surprised by the omission of some operating luxuries in this exciter. This was intentional — to keep design and alignment as simple as possible and to keep cost at a minimum. However, vox and sidetone circuitry could be easily added for voice-operated ssb operation and semi-break-in CW operation.

For those of you who may want to use upper sideband on 40 meters, switch



- | | |
|------|--|
| I101 | 6-volt lamp (power on) |
| L106 | 10-mH, 175-mA filter choke (Hammond 193J or similar) |
| R105 | 50k, 10-watt potentiometer (bias control) |
| T102 | 117-Vac power transformer, 350-0-350, 6.3 Vac secondary (Hammond 273BX or similar) |
| T103 | 117-Vac filament transformer, 6.3-Vac secondary (Hammond 166L6 or similar) |

fig. 14. Power supply for the 40-meter ssb and cw transmitter.



Top view of the transmitter chassis. Power amplifier cage is upper right, next to the power supply. Vfo enclosure is lower left, next to the front panel. Speech amplifier tube is underneath the antenna-loading capacitor shaft to the extreme right.

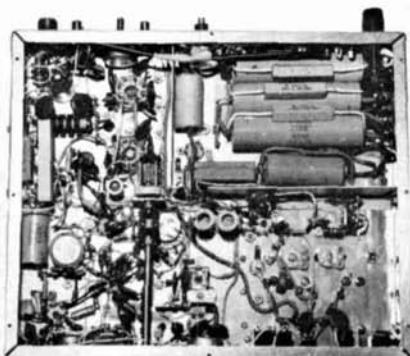
S101 could be changed to a 3-pole unit to switch in the required 453.75-kHz crystal. If you thrive on the sight of swinging meter needles, appropriate switching and metering could easily be

added to monitor final plate current, plate voltage and grid current. And, for the few courageous builders who seek still more, multibanding this exciter might even be considered. Changing vfo frequencies and switching in separate mixer and driver coils would be the most simple means of adding 80- and 20-meter operation. For the higher frequencies, a second frequency conversion scheme would probably offer the best results.

references

1. Doug DeMaw, W1CER, "Building a Simple Two-Band VFO," *QST*, June, 1970, page 20.
2. Doug DeMaw, W1CER, "A 40-Meter CW Receiver," *QST*, January, 1973, page 11.
3. *The Radio Amateur's Handbook*, 50th edition, 1973, ARRL, Newington, Connecticut, page 258.
4. James Trulove, WB5EMI, "Three-Terminal Voltage-Regulator ICs," *ham radio*, December, 1973, page 26.

ham radio



Underneath the transmitter chassis. Front of chassis is at bottom. Power supply components are in upper right-hand corner.

**ONLY ONE
TRANSMITTER
SELLS FOR
LESS THAN
A DOLLAR
PER WATT —**



THE SWAN 600T!

There are five transmitters available to amateur radio operators today providing 5-band coverage in SSB, CW and AM modes. Of these five, only SWAN's 600T supplies 600 watts P.E.P. input. Among the others, one has 240 watts P.E.P.; two have 200 watts P.E.P. (one of these requiring an accessory power supply); and one is a kit capable of a mere 180 watts P.E.P. input.

Compare the cost per watt, then judge for yourself as to which is the best value: The kit retails at \$1.67 per watt; the 240 watt unit

is \$1.41 per watt; the 200 watt rig with the power supply built-in runs \$2.30 per watt, while the other 200 watt transmitter costs \$2.65 per watt by itself or \$3.15 per watt if you buy the power supply recommended.

Now consider the economical SWAN 600T — it gives you a full 600 watts P.E.P. input, about three times the power of the others, for **JUST 98¢ PER WATT!**

The brand YOU should buy is obvious. Visit your authorized SWAN dealer and order your 600T.

WHEREVER THERE'S VALUE IN AMATEUR RADIO, YOU'LL FIND SWAN ELECTRONICS

600T	Transmitter	\$589.95
600R	Custom Receiver	\$549.95
600R	Custom Receiver with SS-16B filter	\$599.95
600S	Speaker	\$ 21.95
600SP	Deluxe Speaker with FP-1 phone patch	\$ 64.50
510X	Crystal Oscillator	\$ 53.95
VX-2	Automatic Voice Control	\$ 35.95
MARK II	Linear Amplifier (2000 watts P.E.P.)	\$679.95

DEALERS THROUGHOUT THE WORLD
or order direct from

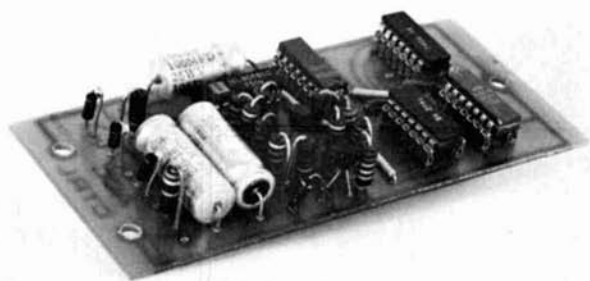


**SWAN
ELECTRONICS**

A subsidiary of Cubic Corporation

Home Office: 305 Airport Road • Oceanside, CA 92054
Telephone: (714) 757-7525

THE BEST PRACTICAL DEVELOPMENTS IN AMATEUR RADIO



automatically controlled access to open repeaters

A control system
that automatically guards
against interference
while allowing
open repeater operation

Anyone trying to operate an open repeater on one of the popular frequency pairs such as 146.16/76 in an area like northern Ohio is increasingly faced with a difficult choice: guard the input, and shut out the visitor or occasional user who lacks the required means of access, or leave it unguarded and expose the repeater to a lot of plucking and other

unwanted transmissions. Even if the input frequency is less popular, the growing availability of synthesizers puts an unguarded repeater at the mercy of the operator who can't resist seeing how many squelch tails he can generate and how many identifiers he can trigger each time he pushes the button on his microphone.

WR8ABC, the 146.16/76 repeater serving the Cleveland area, is located on the crest of a ridge southeast of the city. There are 16/76 repeaters to the east, at Ashtabula, to the south at Newcomertown and Columbus, and across Lake Erie in Detroit. Even without a band opening, mobiles in the fringe areas between repeaters often key more than the machine — with only a slight propagation enhancement the situation can become chaotic.

The Detroit repeaters, Great Lakes on 146.16/76, and DART on 146.04/64, have adopted sub-audible tone access, or full-time private-line. The Ohio 16/76 repeaters have established secondary inputs on discrete tertiary frequencies (for

R.B. Shreve, W8GRG, 2842 Winthrop Road, Cleveland, Ohio

example, 146.355 in Cleveland) to permit base stations and high-powered mobiles in the fringe areas to select the repeater they want to access.

the problem

The group that operates WR8ABC has consistently voted to keep the repeater as open as possible. When conditions made it necessary to guard the 146.16-MHz input, provision was made for access with

made it possible for a fringe area station to picket-fence the repeater indefinitely as long as his signal was strong enough to open the receiver squelch once every five seconds, which was hard on the equipment and even harder on the control operator. More than once the repeater has been out of service for several hours because a control operator switched it off and forgot to turn it on again when the interfering signal disappeared.

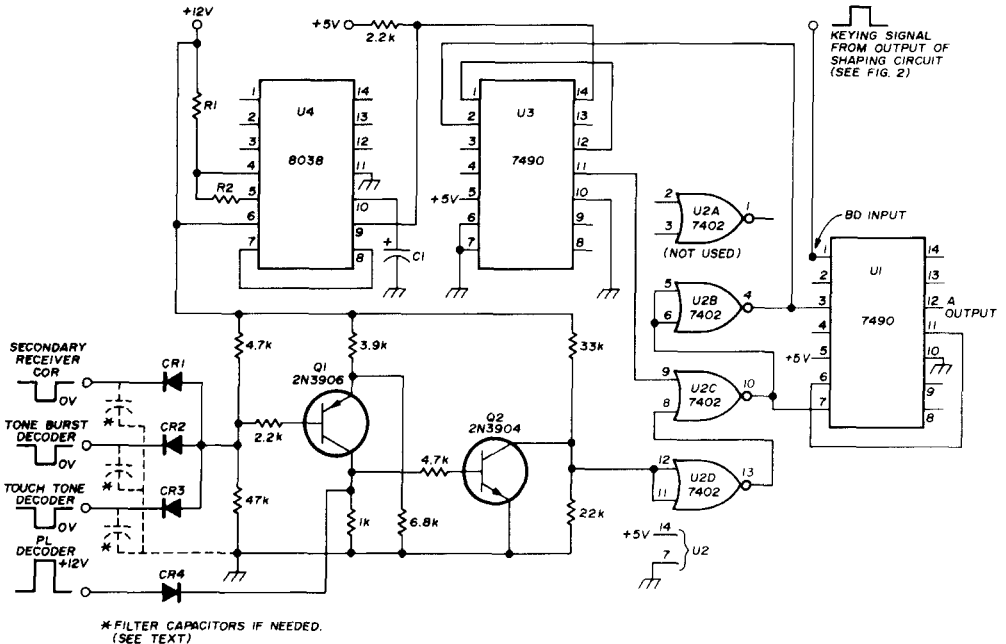


fig. 1. Timing circuit and counter for the repeater control system. For values of R1, R2 and C1, see text. All diodes are general-purpose silicon types such as the 1N914.

private-line (110.9 Hz), tone burst (2000 Hz) and the 1336-Hz tone generated by a Touch-Tone pad. In addition, once the guard was opened by one of these means, the repeater remained open to access by any on-frequency carrier for the duration of each transmission and five seconds thereafter.

Permitting "tail-ending" in this way effectively opened the machine to use by any number of stations, with or without private-line or tone generators, as long as one of them could whistle the machine up in the first place. Unfortunately it also

the solution

In an attempt to overcome some of the disadvantages of the previous method, a new system to control access to the 146.16-MHz input has been installed which leaves the input open until it is repeatedly keyed by a signal which is not modulated by any of the access tones recognized by the decoder. When the receiver squelch is operated three times in succession by such a signal the input is automatically guarded. The guard is opened, also automatically, by a timer in approximately 15 minutes; it opens

sooner if the repeater is keyed by a station using an accepted access tone, or by one using the unguarded secondary input.

The circuit is shown in **fig. 1**. The BD input of an SN7490 decade counter, U1, is toggled by a signal source that goes high each time the guarded receiver COR

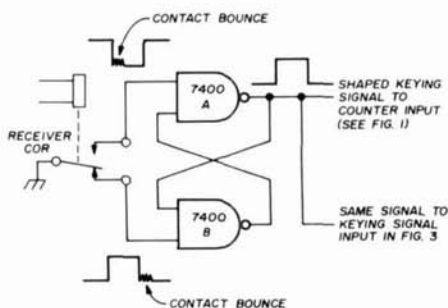


fig. 2. Shaping circuit for the keying signal.

is triggered by a signal. It counts the pulses generated by a signal with no access tone, and latches in the "binary 9" condition on the fourth count. This generates a logic 1 at the A output, pin 12, until the counter is reset to zero.

To make the counter operate in this manner the D output, pin 11, is wired to one of the R_9 reset inputs, and the other R_9 input and one R_0 input are controlled by an SN7402 NOR gate, U2. So long as one R_0 and one R_9 input are low, U1 counts the receiver COR cycles. On the fourth count the D output at pin 11 carries the R_9 input at pin 6 high. If pin 7 is also high, the counter latches with both A and D outputs in the high state. It will remain in this condition until the second R_9 input, pin 7, is switched to the low state by gate U2C. The same signal that does this switches the output of gate U2B high and U1 resets to zero.

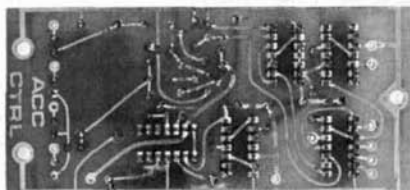
The impulse to reset the counter to zero can come from any one of the four sources connected to the resistor-transistor network through diodes CR1 through CR4. The private-line (PL) output from the WR8ABC PL decoder is low when the receiver is squelched and high when the squelch is opened by a private-

line tone. The inputs to the other three diodes are normally high, and are switched to ground potential when an activating signal is received.

If no signal is received from any of the four sources connected to the diodes for a predetermined interval, the timer connected to the second input of gate U2C will reset the output counter. The timer is another decade counter, U3, driven by the square-wave output of an Intersil 8038 precision waveform generator, U4. The rate at which the 8038 cycles is controlled by the values of C1, R1 and R2. As installed at WR8ABC, C1 = 100 μ F, R1 = 47k, and R2 = 100 ohms. The generator cycle is just under two minutes, and U3 reaches the count of 8 in 15 minutes, at which time it resets itself and U1.

construction

Note that the 2.2k load resistor connected to pin 9 of the 8038 is returned to +5 volts rather than to +12 volts to make the square-wave output TTL compatible. Some precautions in construction are advisable. Rf shielding is essential if the unit is to be installed near a transmitter, although there should be no problem with a split-site repeater. The count and reset inputs are all sensitive to short pulses. Signals connected to the PL and

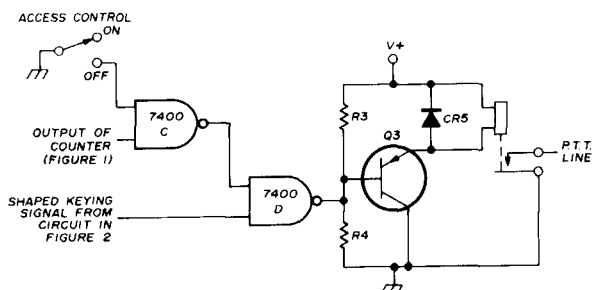


Front and rear views of the printed-circuit board used for the repeater access system. The relay is not mounted on the board.

tone inputs that reset the unit should be filtered to suppress response to transients, and so should the signal from the secondary receiver COR. A small electrolytic capacitor or a resistor and capacitor should suffice.

The keying signal to the counter input is more critical. COR relay contact bounce can cause erratic counting. The

fig. 3. Transmitter control relay circuit. Values of R3 and R4 are selected as described in text. Transistor Q3 is a pnp silicon transistor capable of switching the relay current and voltage. Diode CR5 must have a PIV rating higher than the positive voltage supply.



best way I have found to shape the COR signal is shown in fig. 2. This system uses two sections of an SN7400 NAND gate and a double-throw COR relay on the receiver.

The unit was designed to work with the solid-state control logic described in an earlier article,¹ but the output can be used to drive any TTL-compatible logic, or to operate a transmitter keying relay with a transistor driver. A circuit to do this using the other two sections of the SN7400 is shown in fig. 3. Transistor Q3 is a pnp silicon switching transistor capable of handling the keying relay current and voltage. Resistor R3 should be selected to limit the current through it to approximately 10 mA when the junction of R3 and R4 is at ground potential.

Resistor R4 should limit the voltage at this junction to between 3.5 and 5 volts when the junction is ungrounded. Diode CR5 protects Q3 against surges when the relay opens. The *access control on/off* switch, which can be a remotely controlled flip-flop or relay, permits the operator to inactivate the guard circuit if a completely open operation is desired at any time.

The original unit in service at the

WR8ABC repeater is built on a home-made PC board approximately 2x4 inches, which provides for all the components in figs. 1 and 2 except the COR relay. Boards for the later model shown in the photographs, which includes the optional input filters, and/or complete assembled units are available from the author.*

conclusion

To summarize operation of a repeater with this system of access control, so long as no more than three successive signals without access tones key the transmitter through the guarded receiver in any 15-minute period, the guard will remain open indefinitely. It will close immediately, however, when the guarded input is plucked three times, accidentally or on purpose. A visitor to the area, without tone access, never has to wait more than 15 minutes for the repeater to open up, and since he is usually answered by a station using PL, tone, or the secondary receiver, can carry on a conversation indefinitely in most instances as though the repeater was unguarded.

reference

1. R.B. Shreve, W8GRG, "Integrated-Circuit Sequential Switching for Touchtone Repeater Control," *ham radio*, June, 1972, page 22.

ham radio

*Epoxy printed-circuit boards can be purchased from the author for \$5.00, postpaid. Prices on complete units, with any reset time interval up to 30 minutes, and designed to interconnect with the user's equipment, will be quoted on request.

six-meter frequency synthesizer

Complete
construction details
for a
frequency synthesizer
that covers the entire
50-MHz band
in 1-kHz steps

Although I have been relatively inactive on 6 meters in recent years, this band has always been a favorite. This is no doubt due to an austere but exciting ham beginning on 5 meters during the 1930s when modulated oscillators, superregen receivers and Pickard antennas were common. After World War II modulated oscillators were phased out by stability

regulations, and crystal control became mandatory.

Rock-bound transmitters forced development of improved vacuum-tube vfos over the years, and these gradually gave way to solid-state circuits. Heterodyne versions improved on them in turn and now, with the "galloping IC Technology," synthesizer frequency control is coming on strong. Widely used in military and commercial equipment for many years, until recently frequency synthesis has been too costly for general ham use. However, two-meter units are now on the market and a number of construction articles have appeared in print for the do-it-yourselfers.

Recently, I had a go at working up one of these exotic channelizing vfos for a 50-MHz a-m rig. New and unusual circuit problems had to be solved before success was attained. For the unwary homebuilder who is or will be building an indirect synthesizer, this article will endeavor to point out some constructional pitfalls, offer a few guidelines and, hopefully, aid in maximizing proper operation on your first try.

design

Following a modest literature search, a 6-meter IC frequency synthesizer was blocked out that tuned from 50.000 to 54.000 MHz in 1.0-kHz steps. Considera-

Kenneth W. Robbins, W1KNI, Sperry Research Center, Sudbury, Massachusetts

tion was given to minimum steps of 5 or 10 kHz, knowing it would ease the task of phase-locking and reduction of spurious outputs, but this less desirable trade-off was finally overcome by intensive debugging. To be useful as an 8-MHz crystal replacement, output frequency runs from 8,333,333 to 9,000,000 Hz. An electronic calculator made quick work

enamed wire, a handy enamed hookup wire with insulation which melts back from hot solder to leave a nicely tinned end ready for connection. Feeding in clock pulses having a configuration called for by the chip manufacturer at a 8,333,330 Hz rate resulted in an output that closely resembled a pseudo-random bit stream! "Oh well!" said I, "probably

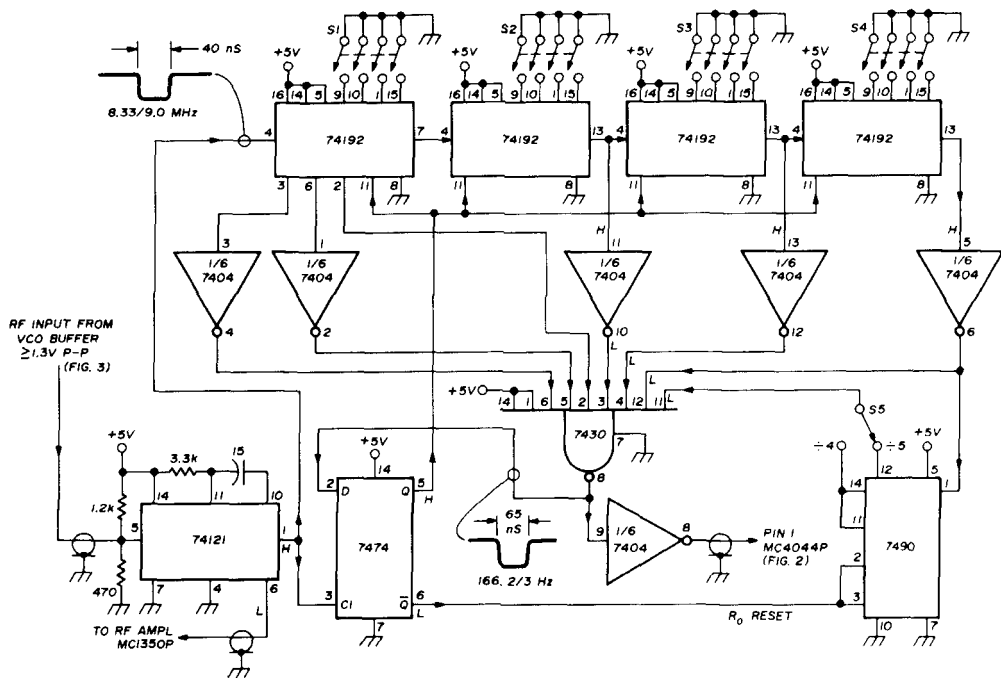


fig. 1. Programmable divider divides from 50,000 to 54,000 in steps of 1. The thumbwheel switch assembly (S1, S2, S3 and S4) is an EccoSwitch type 4R177612G. Switch S5 provides divide-by-4 for MARS netting (see text).

of the math. Frequency increments of 166.2/3 Hz, when multiplied by 6, yield 1.0-kHz steps on 6 meters; the required division is 50,000 to 54,000. A 1.0-MHz reference crystal divided by 6000 produced the necessary 166.2/3 Hz comparison signal for phase detection.

First off, a string of five 74192 programmable divider ICs were plugged into sockets Duco cemented to perfboard and wired to divide by 50,000 as shown in fig. 1. This wiring consisted of no. 28 Beldsol

just a wiring error, maybe a stray oscillation or a bit more B+ bypassing."

Three weeks later, the output wasn't quite so random but counting down to zero from a given input frequency never agreed with the divider truth table. Even getting close to 166 Hz required a higher input frequency than theory said was necessary. The B+ supply from a three-terminal IC regulator had to exhibit very low impedance. Miniature axial-lead tantalum capacitors added for supply voltage

bypassing helped a little, but it was just impossible to obtain a stable, fixed division ratio.

About this time K2OAW described his programmable divider.¹ After some reading, the operating principles of K2OAW's circuit became clear. Since I only had transmitter frequency control in mind, his circuitry for receiver LO use could be deleted. Also, since the most significant

extra counts. My skinny little magnet wire must have looked like kilohms!

Not wishing to process double-clad printed-circuit board, and with low cost always in mind, the socket/perfboard layout was modified to accommodate 3M's 1181 half-inch wide, copper-foil adhesive tape, one pattern stuck down for ground and the same pattern directly opposite for B+. This formed a low dc resistance,

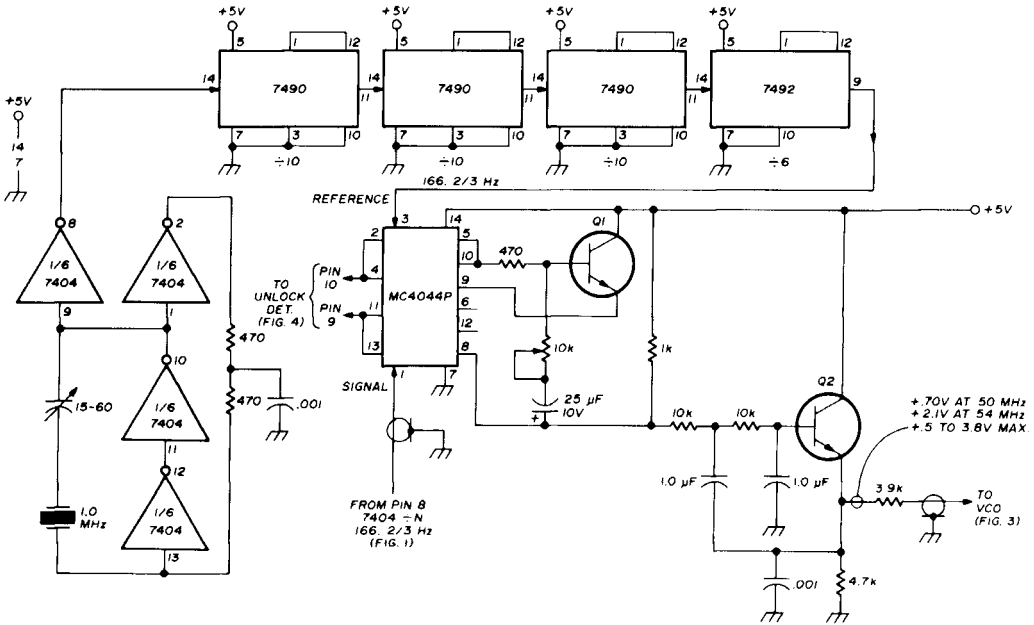


fig. 2. Circuit for the 1-MHz reference oscillator, divide-by-6000 and MC4044P phase detector. Transistors Q1 and Q2 may be any small npn transistors with current gain of at least 100 such as the 2N4124 or 2N5130.

digit never changed, a 7490 wired bi-quinary could divide by five.

This new circuit replaced the first version and at least got me into the ballpark, meaning division was off by only scores of numbers instead of hundreds! Many troubleshooting tricks were tried and failed. Finally, a fruitful discussion with WA1CTS yielded a nugget generally known to computer builders but seemingly little known among amateurs: B+ and ground for TTL logic should use ground-plane techniques with a 100-ohm transmission line built in for power distribution. Neglect of this basic design requirement was manifested in

low inductance and distributed bypass capacitance power feed system that also made socket wiring easier. When fired up once again, the long sought after magic numbers appeared!

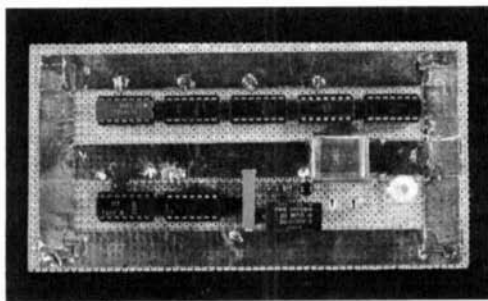
Dividing 8,333,330 by 50,000 gave 166.6 Hz, and dividing 9,000,000 by 54,000 also gave 166.6 Hz. Various in-between divisions were tried; all came out correctly. This without *any* B+ bypassing to ground, too. Success was so sweet, the foil transmission line impedance never did get measured. However, 4.2 pF per half square inch of foil was measured and with 20 inches per board this is 168 pF. As a rule of thumb,

pulse rise time can be related to one cycle of rf in the same period, so the 5-nano-second transitions correspond to 200 MHz where 168 pF has a reactance just under 5 ohms. Obviously, this is quite effective in shunting pulses whose source impedance is 10 to 20 times higher.

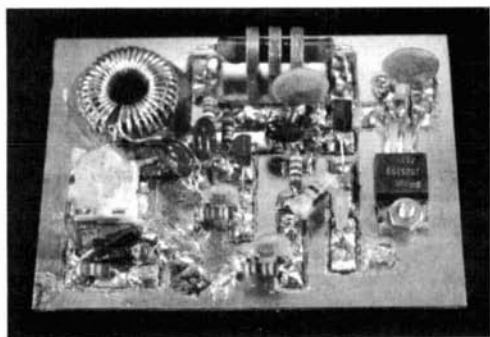
With an idealized clock pulse obtained from a lab pulse generator the next item of business was to simulate it inexpensively. A 74121 one-shot, timed to deliver 40-ns negative-going pulses, was found to be perfectly adequate. Proceeding next to the reference circuit and again using copper foil for power distribution, a 1.0-MHz crystal oscillator divided by 6000 was constructed (fig. 2) and never failed to operate properly from first turn-on.

VCO

As other writers have indicated, the vco must be inherently stable by itself before electronic frequency control is fed back. A Vackar oscillator circuit was chosen for three reasons: it is frequency and amplitude stable, and, like the Clapp, has one connection where small capacitance variations result in large frequency shifts. The circuit, fig. 3, was built on a bit of double-clad printed-circuit stock to insure mechanical integrity and simplify shielding. It was then tested by feeding in varactor bias from a 10-turn 10k pot tied across 5 volts of B+. Tuned-circuit component values were juggled to obtain the



Layout of the reference divider, showing the use of 3M adhesive-backed copper tape to achieve the low-impedance B+ and ground leads required for proper operation of the TTL logic. Circuit board for the programmable divider (fig. 1) uses the same technique.



Small size of the circuit boards used in this synthesizer results in a very compact package.

graphed tuning curve shown in fig. 4. This check should always be made to get an idea of linearity and voltage swing required for a given configuration.

When tuned in on a CW receiver, the carrier jumped in discrete steps as the pot wiper moved along individual turns of winding resistance which is understandable when it is realized that slew sensitivity is about 500 Hz per millivolt. Slow frequency drift is not important during this test but any audio rate burble must be eliminated. Some rectifier diodes work well as tuning devices but be careful of ambient light effects; one diode I tried had a translucent plastic case which caused 60 Hz fm from an overhead light until the device was wrapped in black plastic tape.

Oscillator B+ must be essentially battery-pure and stable, and a separate 7805 IC voltage regulator is recommended. No doubt a μ A723 regulator could be used, but these new three-terminal voltage regulators are so easy to wire in, they spoil you for anything else.

Unilateral amplification is necessary to prevent spurious vco pulling by logic pulses sneaking back through the gain chain. The resultant pulsed fm generates a wide spectrum of hash that is impossible to cure without redesign. A Darlington emitter follower has worked well in this regard and is able to properly fire the one-shot. Additional isolation and gain is provided by a MC1350P which drives the transmitter multiplier.

phase detector

Next on the agenda was selecting and optimizing a phase detector circuit. Perhaps it would be helpful to set up an idealized specification and then see what can be done to meet it in the real world. This black box would detect the slightest difference in phase of incoming 166-Hz pulses, change this information into a precise step of dc control voltage and instantly slew the vfo back into exact synchronism with its reference. In truth, since nothing works in zero time, there

during a second effort. After considerable playing around with component values, sidebands were down to about 20 kHz. One bad feature was the lack of drive toward sync if the vco happened to get outside one end of lock range. For all its faults, a MC4044 IC always drove towards lock, no matter where the vco was initially.

Since W1UYK's circuit³ worked on 41-Hz pulses I decided to give it a try. It was wired in per his schematic and showed promise right away; sidebands

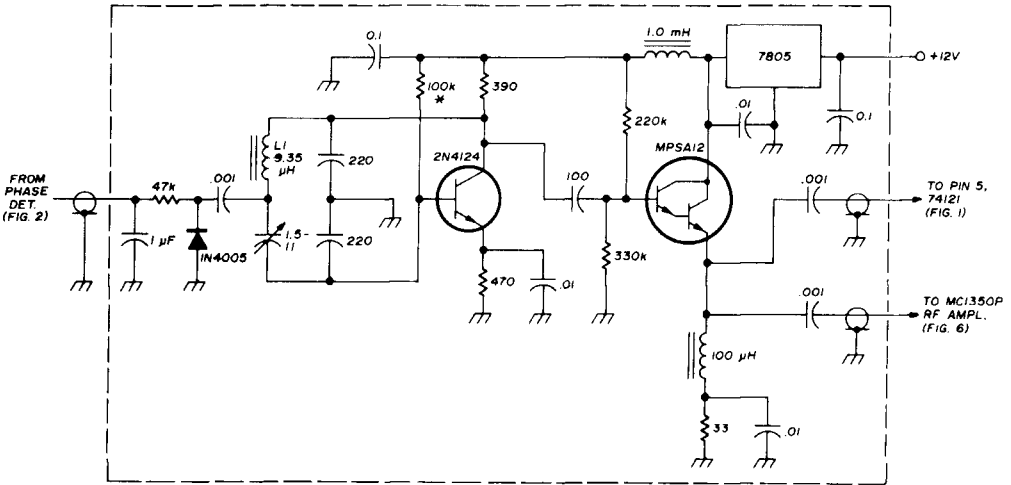


fig. 3. Circuit for the vco used in the 6-meter frequency synthesizer. The 9.35 μH inductor, L1, consists of 37 turns no. 22 enamelled on a T-68-2 Amidon toroid core.

would have to be *some* phase difference to produce a correction voltage, and steps of dc voltage generate wideband transients. Therefore, a real world circuit will necessarily have time delays, small error signals and low pass filtering as minimum requirements.

The first circuit I tried² was totally unsuited for low-frequency use; the vco put out a spectrum of hash many hundreds of kHz wide and optimization only reduced this to about 90 kHz. For audio-frequency phase detectors, many designers have gone to sample-and-hold circuits as a means of reducing pulse feedthrough, but since I didn't have any enhancement-mode fets on hand, a pair of MPSA12 Darlington transistors were substituted

came down to about 10 kHz. Another period of testing commenced in an attempt to modify the circuit for this particular synthesizer. The final result is similar with one interesting exception — the use of a 10k variable for adjusting loop lock-up rate.

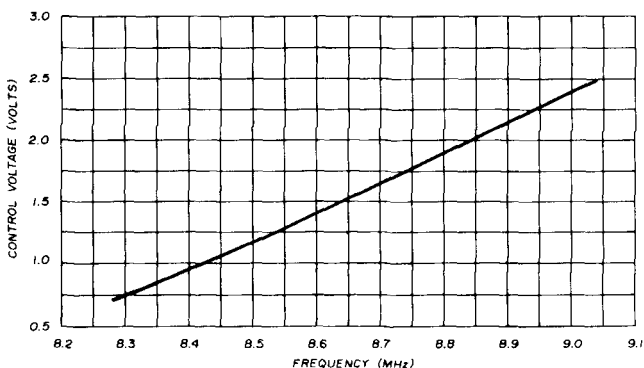
As resistance is progressively reduced, vco slew response changes from over to critical to under damping and eventually into sustained hunting. It's quite easy to hear this effect on a CW receiver and adjust for a rapid settling time (about 2 seconds) by placing a finger momentarily on the vco tank coil to force it far out of lock. Do this at 8.33 MHz where loop gain is highest.

Settling time is a little longer at 9 MHz

due to slightly lower voltage sensitivity and is a tradeoff made for non-linear varicap pull range. A low leakage electrolytic must be used for the 25- μ F capacitor (20 megohms on a Simpson 260) because it connects between a possible maximum 4 volts and a dc amplifier having a current gain of about 50,000. Only ac coupling is wanted. An RC filter follows the active filter to reduce sidebands to essentially zero and at 40 dB over S9, the carrier sounds perfectly quiet.

In a lab check using a special oscilloscope, varicap control voltage showed 10 microvolts pulse and about 30 microvolts random dc on a plus 1.0-volt pedestal at 8.5 MHz.

fig. 4. Frequency of vco vs control voltage, using a Sylvania 1N4005 rectifier as a varactor.



This equates to an average carrier uncertainty of ± 7 Hz or six times that on 6 meters, an acceptable figure for most transmission modes. These small error voltages remain unchanged, but the major dc voltage will lie between 0.5 and 3.8 volts, depending on frequency and trimmer capacitor adjustment (0.7 at 50 MHz and 2.1 at 54 MHz used here).

A simple but revealing test can be made by tuning in the reference crystal's 9th harmonic at 9.0 MHz, then setting in a division of 53,999 to produce a 166-Hz heterodyne. Servo loop limitations will be evidenced by a small burble or beat note instability. Any circuit modifications should be aimed at minimizing this randomness without degrading sideband levels or lock-up action.

unlock detector

If the synthesizer becomes unlocked for any reason, transmission of off-

frequency signals could take place. To prevent this, a simple pulse-width comparator, timer and relay deactivate the transmitter and hold it off until sync is regained (see fig. 5). Two NAND gates make up a one-shot whose timing capacitor produces one microsecond for every 770 pF, so .01 μ F gives about 12 microseconds. This is longer than the normal up-to-5 microseconds out of the first gate. These two signals take turns keeping inputs low on a third gate and its output stays high. Should the vco suddenly shift

frequency more than 10 kHz at 6 meters, the 5-microsecond pulse briefly becomes longer than the 12, gate output drops, firing the timer and energizing the relay for 4 seconds. Consequently, a frequency change of several kHz is possible without initiating action.

A desired frequency shift tolerance may be set in by variation of the one-shot capacitor while off time is changed by appropriate shift of R or C in the NE555 timer. Start-up, long settling times or hunting will keep the relay on; it will not reset until phase lock is effected.

construction

If you decide to build this six-meter frequency synthesizer, there are several important points to keep in mind. First of all, use a ground plane or copper strip for logic B+ and ground power distribution. Strive for battery-pure dc supplies for the oscillator and buffer. Use at least

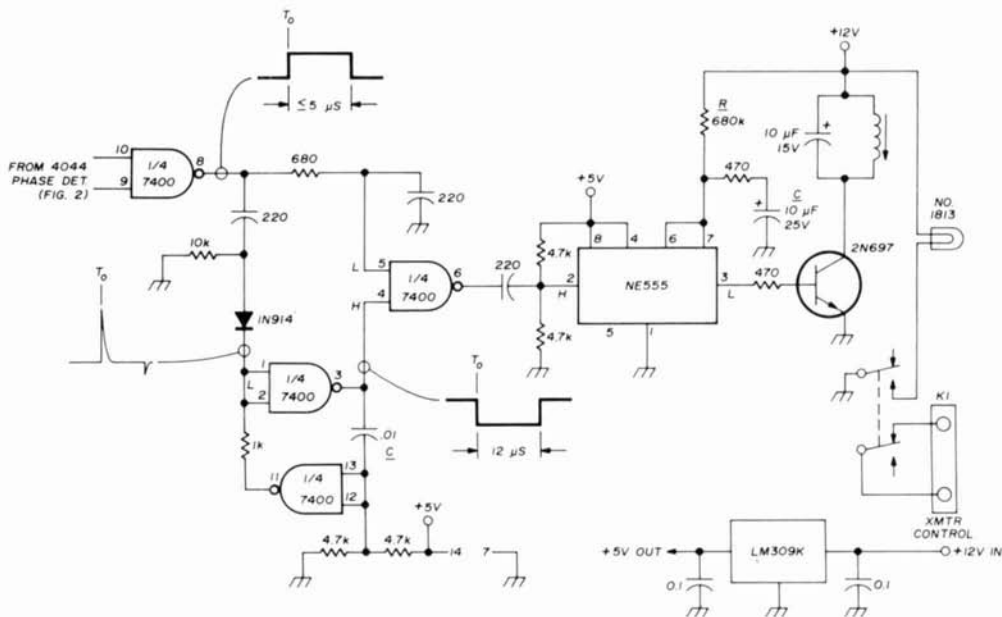


fig. 5. Circuit of the unlock detector and timer. Relay K1 is a Sigma 62R2-12DC. Simple three-terminal five-volt voltage regulator for the entire synthesizer is shown at right, below.

two voltage regulators: One for logic, one for the vco. Zener diodes have too high impedance and unregulated B+ is out of the question.

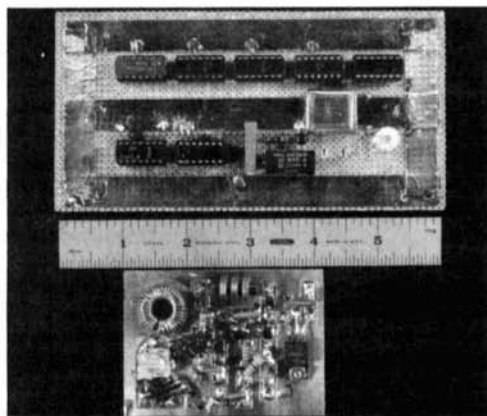
Keep the dialed logic wiring short and direct to its respective IC terminal. Optimize the base-bias resistor in the vco using the 9-MHz burble test (use a 22k isolating resistor and 250k pot in series to determine the proper value). Follow the vco with one-way rf amplification.

Shield the entire synthesizer. Shield the oscillator separately, and use feed-through capacitors and shielded cable. Beware of ground loops — non-reducible sidebands usually result. All construction must be mechanically secure. Anything that moves will cause phase shifts that the detector tries to correct for. Think of phase as a change of less than one-half Hz at 8 MHz!

Stray capacitance at the varicap connection will have considerable affect on the capacitor values required to bracket 8.33/9.00 MHz with a given tuning diode and bias voltage swing. A frequency counter is convenient, but a well-calibrated communications receiver will

do fine. If only the first MHz on six meters is of interest, adjustment is that much easier. Experiment with different voltage-variable capacitors. A Sylvania 1N4005 rectifier diode produced less frequency jitter than a Motorola Epicap MV2209.

For a real eye-opener, try placing a battery-powered broadcast radio next to the programmable divider board to pick up its amazing spectrum of signals. Then,



Construction of the vco. The 9.35-μH inductor is in the upper left-hand corner of the board.

"finger test" the vco — the result is hard to believe!

summary

Troubleshooting this synthesizer was a real challenge but definitely worthwhile once it began to operate correctly. There is tremendous satisfaction in having a 6-meter crystal-stable rf generator with 4000 discrete frequencies. Great for nets, receiver calibration and avoiding interference. When asked to move "up a couple," you'll shift *exactly* two kHz. Schedules on a prearranged frequency will be right on. Other vfos can be

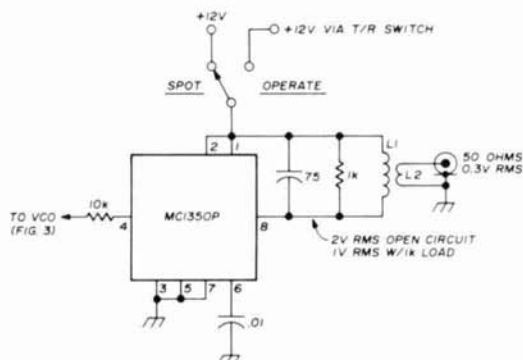


fig. 6. MC1350P rf amplifier provides 0.3-volt rms output into 50 ohms. L1 is 19 turns no. 28 on 3/6" diameter iron-core form, 3/4" long. L2 is 6 turns no. 28 over center of L1.

calibrated by your dialing in spot frequencies to zero in on. MARS netting is possible by adding a toggle switch on the 7490 bi-quinary to divide by four; see the schematic in fig. 4. Narrow-band fm is possible by adding modulation to the vco control voltage, but hum will be a problem as only tens of microvolts can be tolerated.

references

1. P.A. Stark, K2OAW, "Frequency Synthesizer for Two-Meter FM," 73, October, 1972, page 15.
2. K.W. Robbins, W1KNI, "Tunable Six- and Ten-Meter Phased-Locked Loop," *ham radio*, January, 1973, page 40.
3. D.H. Stevens, W1UYK, "A 4000-Channel Two-Meter Synthesizer," *QST*, September, 1972, page 17.

ham radio

NEW RINGO RANGER

for Amateur FM

Get extended range with this exciting new antenna. A one eighth wave phasing stub and three half waves in phase combine to concentrate your signal at the horizon where it can do you the most good.

6.3 dB Gain over 1/4 wave whip

4.5 dB Gain over 1/2 wave dipole

ARX-2 146-148 MHz
\$22.50

ARX-450 435-450 MHz
\$22.50

ARX-220 220-225 MHz
\$22.50

Extend your present AR-2 Ringo with this RANGER KIT. Simple installation.

ARX-2K\$8.95

IN STOCK AT
YOUR LOCAL DISTRIBUTOR

Cush
Craft
CORPORATION

621 HAYWARD STREET
MANCHESTER, N.H. 03103

performance characteristics of vertical antennas

A discussion of
matching networks,
network losses
and bandwidth of
vertical antennas
of various heights

I've been interested in antennas for 80-meter DX that were simple, inexpensive and effective, so I've been reading a lot of the vertical antenna literature prior to putting up a vertical or a phased vertical array. I chose verticals early in this effort since antenna books show that the low angle radiation from vertical monopole antennas is considerably better than from horizontal dipoles unless the dipoles are unreasonably high, at least for 80 meters.

The first question was, "What vertical height should be used?" A recent article¹ shows that short verticals do a pretty good job, which I agree with. Although some antenna articles have indicated that

tall verticals have much better low angle radiation than short ones, reference to antenna books such as those written by Kraus² or Jordon³ show that the low-angle radiation pattern is essentially the same for a wide range of vertical heights. More on this later.

My studies show that earth and network losses are the most important factors. These losses are greater for short verticals than they are for tall verticals.

I've indicated a few considerations, but there are still a number of questions to consider and answer, and in more detail. How high should the vertical be? Is a tall vertical better than a short one? If so, how much better? What does better mean, or what factors or tradeoffs are important, and what is their relative importance?

You will find that there is quite a bit of choice in the height that may be used for a single vertical. If two or more verticals are to be part of a phased array, then there is less choice as to which antenna height may be used.

Some of the factors that must be considered are self-impedance; mutual impedance in arrays; earth, radial, and network losses; bandwidth and vswr versus height; vertical radiation pattern; type of tuning network required; type of transmission line used; physical or mechanical factors; and the radial ground system.

How can you make sense out of so many interrelated factors? You don't want to reinvent the wheel, so I will make use of material such as that from early

Robert E. Leo, W7LR, Electronics Research Laboratory, Montana State University

issues (1930s) of the *Proceedings of the IRE*, and from standard antenna textbooks. Today there are a number of new tools at our disposal such as digital computers, pocket electronic calculators, etc., and these were used to develop answers to some of the questions.

Rather than try to answer all of the questions at once, several articles are planned, with only a few topics in each. The data and examples will cover a range

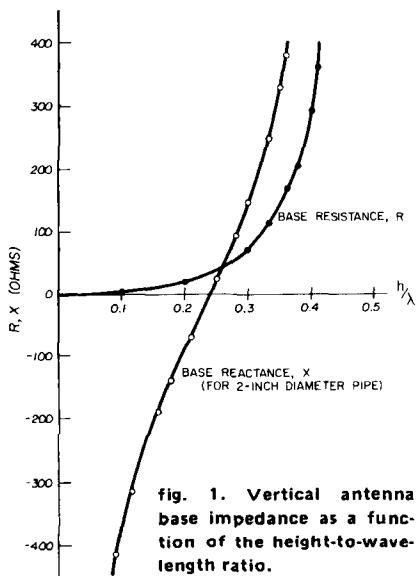


fig. 1. Vertical antenna base impedance as a function of the height-to-wavelength ratio.

of values which are practical for average amateur situations. The graphs will be large enough to serve as useful reference data for amateurs who wish to work out other examples.

This first article will deal with the self impedance of a single vertical, and indicate what networks (if any) are required for various heights of verticals, what losses occur in these networks, and what bandwidths result.

The second article will compare the vertical radiation patterns of various height verticals. The third article will discuss ground losses, and answer the remaining questions posed here. The last article will present mutual impedance data, and will analyze a particular phased array.

antenna self impedance

The electromagnetic field produced by an antenna results from certain current distributions on the antenna which vary with time. Many cases are analyzed in the literature, from the elementary current element, to the elementary dipole, to a full-length dipole with sinusoidal current distribution. Various steps in the analysis show that induction, radiation and electrostatic fields result, all of which fall off differently with distance. All of these fields (the near field) must be considered to determine either the reactance of a single antenna, or the mutual impedance between two or more antennas.

The radiation field is sufficient when considering the radiation patterns. These theories were used by authors of antenna books and articles to develop equations used to make calculations here. I used the appropriate formula from Jordan² for antenna self impedance (one for resistance and one for reactance). Each formula is a long complex expression consisting of many sine and cosine integral terms, and they are also functions of antenna height.

Antenna self impedance, as used here, consists of the antenna base resistance, R, and the antenna base reactance, X. You must be careful when using such formulae to be sure that loop or base values are used consistently and properly. The base impedance values are those seen at the

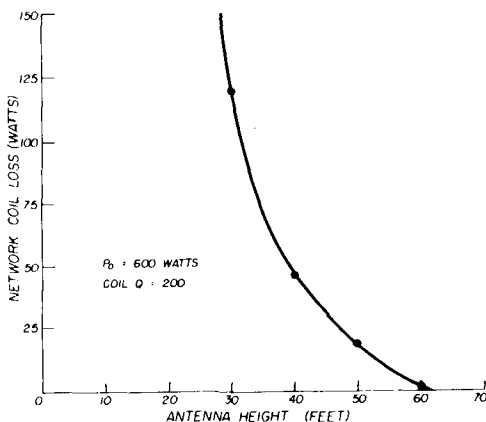


fig. 2. Network coil loss vs antenna height (see text).

base of a vertical antenna. Loop values result from considering the current loop up on the antenna. It is easy to convert from one set of values to another, as for example

$$R_{\text{base}} = R_{\text{loop}} / \sin^2(\beta h)$$

Antenna textbook data is sometimes given for loop values, and sometimes for base values. Base values are used here.

$$\beta = \frac{2\pi}{\lambda}$$

where λ is the wavelength, and h is the electrical length of the antenna in wavelengths.

antenna height

Another time you must be careful is when you calculate the physical length of the antenna. For antennas of the diameter of interest (2-inch diameter conduit was used here), the physical length should be 5% less than the electrical length. The computer calculations were made using the electrical length in order to compare my results with standard antenna textbook data, but the physical lengths given here will have the 5% shortening included. A handy formula for this is

$$HA = \frac{984 \times h/\lambda}{F_{\text{MHz}} \times 1.05} \quad \text{feet}$$

where HA is the physical antenna length in feet, and h/λ is the electrical length in fractions of a wavelength. For example, if $F_{\text{MHz}} = 3.8$, then $HA = 246 h/\lambda$. Then, if $h/\lambda = 0.25$, $HA = 61.5$ feet.

The results of the first computer program I wrote gave values of R and X vs h/λ . This standard data is reproduced in **fig. 1** for use in selecting some examples of practical heights of verticals.

The antenna lengths selected for consideration were even multiples of 10-foot pieces of conduit, and specifically were 30-, 40-, 50-, 60- and 70-foot long. Some special lengths were also selected, and these were lengths which were easily matched to RG-8/U or RG-11/U coaxial cable.

table 1. Calculated vertical antenna characteristics vs height, and vswr performance with three different types of matching systems.

1. No matching network (center of coax connected directly to antenna base).

HA (feet)	h/λ	R	X	coax	vswr
80.0	0.325	90.6	+230.0	RG-11/U	8:1
76.0	0.31	75.0	+180.0	RG-11/U	8:1
60.0	0.243	33.8	+ 5.7	RG-11/U	2.2:1
70.0	0.285	55.0	+108.0	RG-8/U	6:1
69.0	0.28	52.0	+ 95.0	RG-8/U	5:1
61.5	0.25	36.6	+ 21.3	RG-8/U	1.8:1
60.0	0.243	33.8	+ 5.7	RG-8/U	1.5:1
59.3	0.241	32.0	0	RG-8/U	1.6:1

2. Series capacitor, C, between coaxial transmission line and antenna base.

HA (feet)	h/λ	R	X	coax	C,pF	vswr
80.0	0.325	90.6	+230	RG-11/U	182	1.2:1
76.0	0.31	75.0	+180	RG-11/U	233	1.0:1
70.0	0.285	55.0	+108	RG-8/U	388	1.06:1
69.0	0.28	52.0	+95	RG-8/U	441	1.0:1
61.5	0.25	36.6	+21.3	RG-8/U	1966	1.4:1

3. Type-C L-network (see fig. 3) used with RG-8/U coaxial cable. Vswr 1.0:1.

HA (feet)	h/λ	R	X	L, μH	C,pF
60.0	0.2433	33.8	5.7	0.80	591
50.0	0.2028	20.7	-86.5	4.69	991
40.0	0.1622	12.1	-183.8	8.62	1467
30.0	0.1216	6.3	-303.0	13.41	2164

4. Type-A L-network (see fig. 3) used with RG-8/U coaxial cable. Vswr 1.0:1.

HA (feet)	h/λ	R	X	L, μH	C,pF
70.0	0.285	55	+105	4.33	637

Table 1 lists these choices, the network used (if any) and the resulting vswr calculations made at 3.8 MHz. This data shows that with no network and RG-11/U transmission line, the lowest vswr is 2.2:1 with $HA = 60$ feet. With no network and RG-8/U coax, the lowest vswr is 1.5:1 with $HA = 60$ feet. If the proper series capacitor is used, the vswr is 1.0:1 for RG-8/U at $HA = 69$ feet, and for RG-11/U at $HA = 76$ feet.

For antennas of other heights the vswr is 1.0:1 if the proper L-networks are used. The L-networks were calculated using the methods outlined in my *QST*

article,⁴ or from the methods detailed in *ham radio*.⁵

network losses

The next topic to explore is that of matching network losses. Of course, there

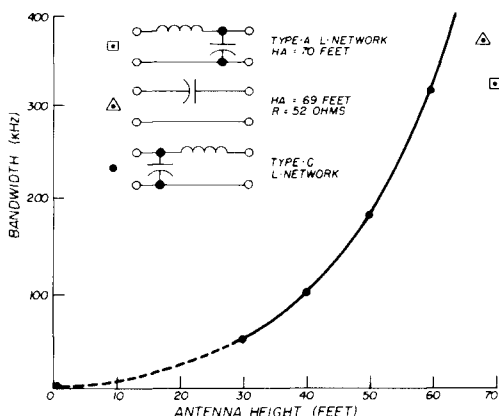


fig. 3. Bandwidth of vertical antennas vs height. Bandwidth edges defined by frequencies at which vswr increases to 2.0:1.

is no network loss for cases not using a matching network, and I will also assume that there are no losses in any of the network capacitors. However, there are coil losses, and these can be significant for matching networks for short vertical antennas. Assuming that the power output to the matching network is 600 watts, and that the Q of the network coil is 200, coil losses are as shown in fig. 2. On the basis of this graph you can select a height of vertical depending upon the amount of network loss that you are willing to accept.

As an example of these calculations, consider a 30-foot vertical, where HA = 30 feet, R = 6.3 ohms, and $X_L = 320$ ohms. If there are no capacitor losses, the 600 watts delivered by the coax feedline to the network must be divided between the network coil and the antenna. There are earth losses too, but I will consider these in a later article, and assume that they are zero now in order to examine network losses. The coil loss resistance, r, is X_L/Q , or $320/200 = 1.6$ ohms. The

current in the coil and antenna is then

$$I = \sqrt{\frac{P}{R+r}} = \sqrt{\frac{600}{6.3+1.6}} = 8.71 \text{ amps}$$

Thus, the coil loss is $I^2 R = 121.5$ watts, and $I^2 R = 478.5$ watts delivered to the antenna.

antenna bandwidth

The last topic for this article is that of the bandwidth for the antenna examples given. For each of these examples the network was designed to make the input impedance seen by the coax feedline to be 52 ohms for a vswr of 1.0:1 at an arbitrary frequency of 3.8 MHz. Another computer program was written which calculated the input impedance versus frequency for the same network and same height vertical. The previous program furnished the changing antenna self impedance versus frequency. The changing input impedance versus frequency was plotted on a Smith chart for 30-, 40-, 50- and 60-foot verticals using one type of L-network; the 69-foot vertical using a series C network; and the 70-foot vertical using a different type of L-network. Bandwidth was arbitrarily defined as being the difference between those frequencies having a vswr of 2.0:1. These bandwidths are shown in fig. 3. As expected, the shorter antennas have a smaller bandwidth. Use of this graph will help you to select an antenna height depending upon what bandwidth is acceptable to you.

references

1. Jerry Sevick, W2FMI, "The W2FMI Ground-Mounted Short Vertical," *QST*, March, 1973, page 13.
2. Edward C. Jordan, "Electromagnetic Waves and Radiating Systems," Prentice-Hall, New York, 1950, chapter 11 (impedance).
3. John R. Kraus, *Antennas*, McGraw-Hill, New York, 1950.
4. Robert E. Leo, W7LR, "An Impedance-Matching Method," *QST*, December, 1968, page 24.
5. Robert E. Leo, W7LR, "How to Design L-Networks," *ham radio*, February, 1974, page 26.

ham radio

lowpass filters

for solid-state linear amplifiers

Complete low-power,
lowpass filter designs
for 160, 80, 40,
20, 15 and 10 meters

Semiconductors have finally found their way into high-frequency linear amplifiers. Broadband, untuned amplifiers that were seldom practical with vacuum tubes have become the best approach with semiconductors. Along with the advantages of rapid QSY and circuit simplicity comes

the problem of unwanted harmonics. It is a recognized fact that a lowpass filter is a necessity with this type of amplifier.¹ Many of the broadband amplifier designs use push-pull circuitry, which may suppress the second harmonic by 50 dB, but the third harmonic is suppressed only 12 dB.²

I have selected an elliptic function filter design that provides low insertion loss, low vswr and attenuation peaks at the second and third harmonics. It is assumed that a linear amplifier will be used in the phone portion of the bands but adequate suppression is obtained for CW operation too.

Several listings of normalized filter data have been printed and are quite simple to use.^{3,4} Unfortunately, these publications are seldom in the average amateur's library. The theoretical design has been compromised only slightly to allow use of standard mica capacitors (either compression molded or dipped) that can be purchased from Allied, Newark or other suppliers. Five-hundred-volt capacitors will handle several hundred watts if the vswr of the antenna is near unity and are a wise choice unless low power and miniaturization is contemplated. The Micrometals toroidal cores listed are readily available from Amidon Associates.

G. Kent Shubert, WAØJYK, 1308 Leevue Drive, Olathe, Kansas 66061

fig. 1. 160-meter lowpass filter. L1 is 26 turns number-18 on Amidon T80-2 toroid ($4.2 \mu\text{H}$). L2 is 23 turns number-18 on Amidon T80-2 toroid ($3.13 \mu\text{H}$). Insertion loss is 0.1 dB over the 160-meter band.

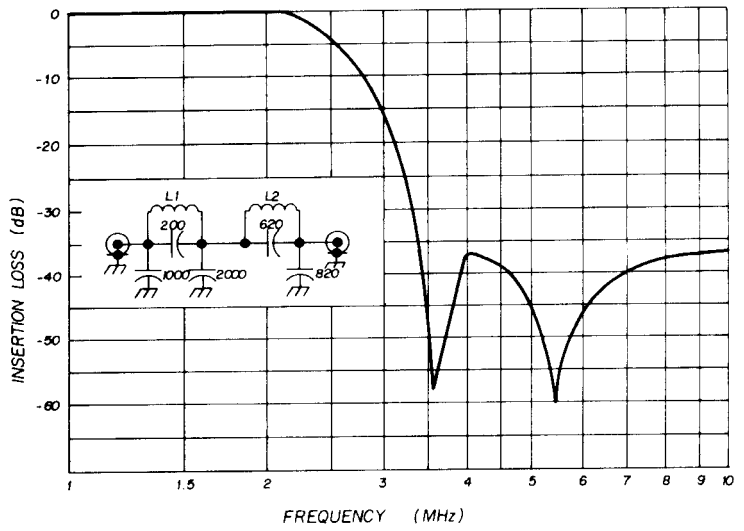


fig. 2. 80-meter lowpass filter. L1 is 18 turns number-16 on an Amidon T80-2 toroid ($1.9 \mu\text{H}$). L2 is 16 turns number-16 on an Amidon T80-2 toroid ($1.46 \mu\text{H}$). Insertion loss is 0.12 dB over the 80-meter band.

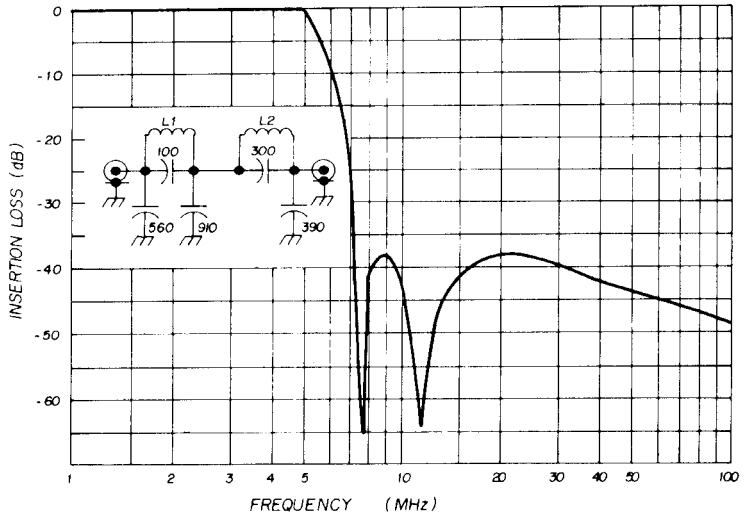
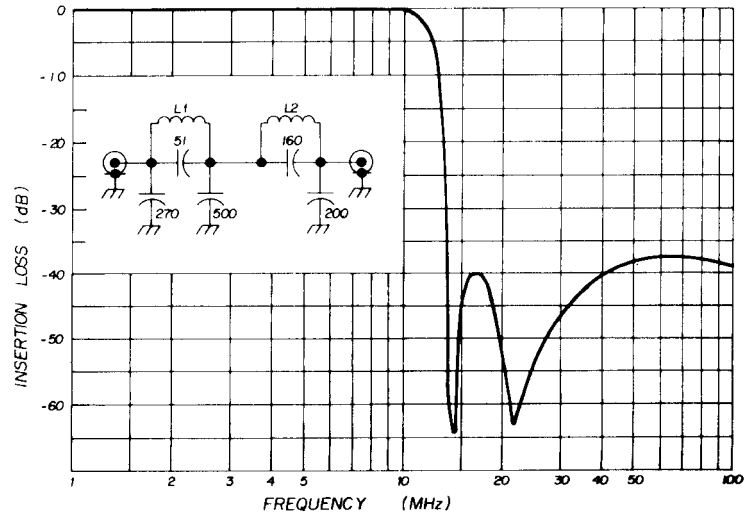


fig. 3. 40-meter lowpass filter. L1 is 10 turns number-16 on an Amidon T80-6 toroid ($0.57 \mu\text{H}$). L2 is 9 turns number-16 on an Amidon T80-6 toroid ($0.41 \mu\text{H}$). Insertion loss below 18 MHz is 0.17 dB.



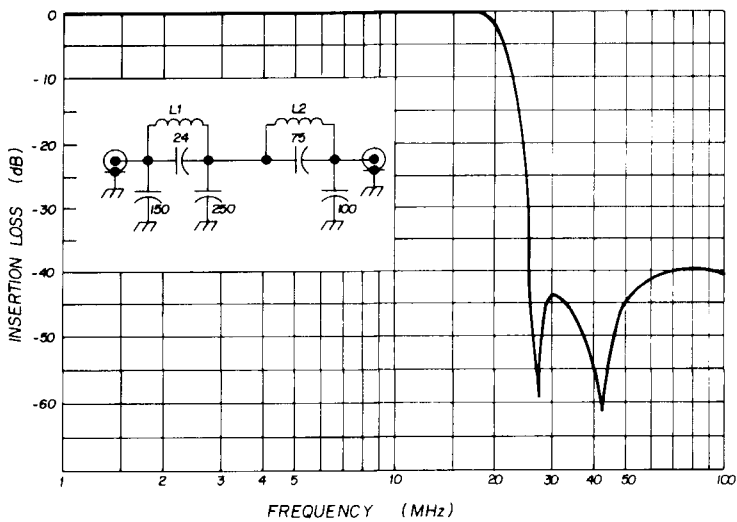


fig. 4. 20-meter lowpass filter. L1 is 10 turns number-16 on an Amidon T80-6 toroid ($0.57 \mu\text{H}$). L2 is 9 turns number-16 on an Amidon T80-6 toroid ($0.41 \mu\text{H}$). Insertion loss below 18 MHz is 0.17 dB.

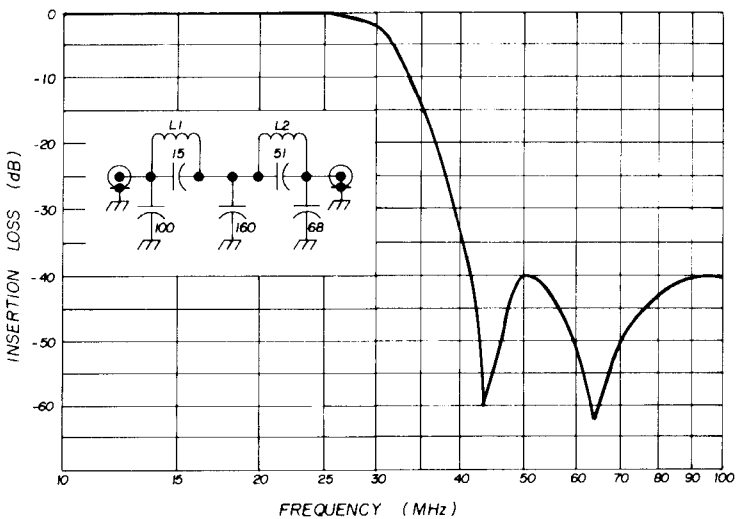


fig. 5. 15-meter lowpass filter. L1 is 9 turns number-16 on an Amidon T80-6 toroid ($0.41 \mu\text{H}$). L2 is 8 turns number-16 on an Amidon T80-6 toroid ($0.27 \mu\text{H}$). Insertion loss below 24 MHz is 0.25 dB.

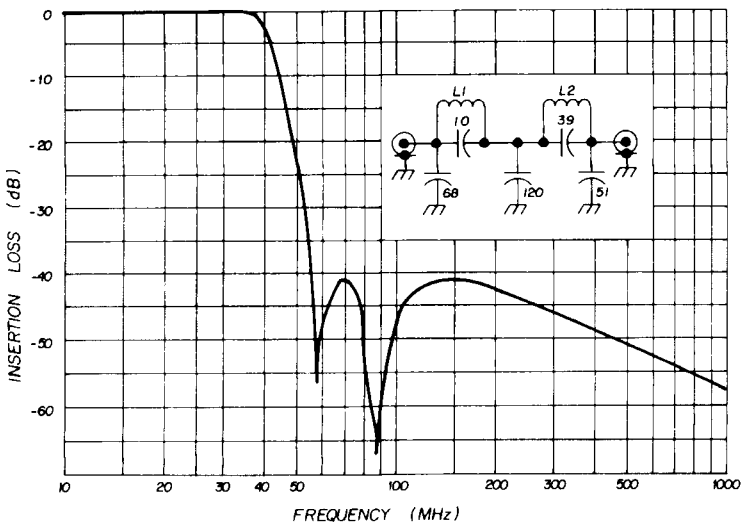


fig. 6. 10-meter lowpass filter. L1 is 8 turns number-16 on an Amidon T80-6 toroid ($0.33 \mu\text{H}$). L2 is 7 turns number-16 on an Amidon T80-6 toroid ($0.19 \mu\text{H}$). Insertion loss below 35 MHz is 0.3 dB.

Bathtub cans from old oil-filled capacitors make good cases with BNC or RCA Phono connectors soldered in the ends. If you are going solid state those old 1000-volt, oil-filled capacitors won't be needed anymore, so salvage the cases.

Designs and winding information are given for the top six amateur bands. The response curves were obtained by computer analysis with actual testbench verification of the 80- and 40-meter filters (those are the two bands I'm now working). The filters perform well without tuning, but a little adjustment of the resonant frequency will help assure 60-dB suppression of the second and third harmonics. There are several ways to tune the toroidal resonators.⁵ In all six filters inductor L1 will resonate at the third harmonic and L2 will be resonated at the second harmonic.

Please join me in fighting air pollution. Keep the bands upstairs clean for the other operators!

references

1. Timothy P. Hulick, W9MIJ, "A Medium-Power HF SSB CW Transmitter, Part II," *QST*, June, 1973, page 37.
2. "TRW Application Note CT-113-71," TRW Semiconductors, 14520 Aviation Blvd., Lawndale, California 90260.
3. Von R. Saal, *Der Entwurf Von Filtern Mit Hilfe Des Kataloges Normierter Tiefpasse*, Telefunken, GMBH, West Germany.
4. Anatol I. Zverev, *Handbook of Filter Synthesis*, John Wiley & Sons, New York, 1970.
5. G. Kent Shubert, WA0JYK, "Tuning Toroidal Inductors," *ham radio*, April, 1972, page 24.

ham radio



"That's Dave's bad habit!"



NEW YAESU FT-101-B still \$649

includes new 8-pole filter, LED indicators on the clarifier and external vfo switch.

The selling dealer is responsible for warranty and service on Yaesu equipment. We have a factory trained Japanese service technician for expert service and quick return.

FTDX-401 transceiver	\$599
FL-2100 linear	\$339
FL-dx-400 transmitter	\$339
FR-dx-400SD receiver	\$399

Most items in stock

FT-101 and FTDX-401 shipping will be prepaid in continental U.S.A. on cash orders

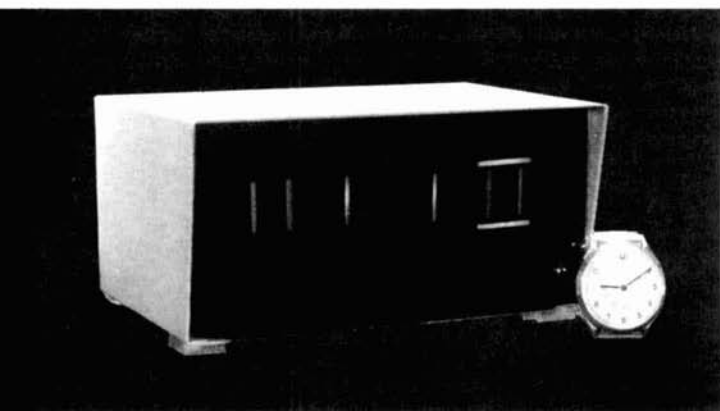
*No sales tax (except in Nevada)
Trade-ins wanted*

WILSON ELECTRONICS

BOX 794

HENDERSON, NEVADA, 89105

702-451-5791



a simplified digital readout system

Discussion of a new
and unique system
of glyphs
which are
ideally suited
for use
with IC logic

Harold W. Thompson, W6OIS, President, Rad-Ex Syntactics*

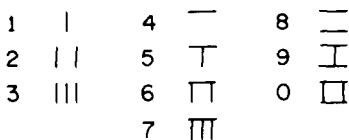
The word **instrumentation** has a magic ring and is something every true amateur desires, but usually cost tempers that desire. Some years ago, while fighting to read a Potter counter which used four columns of four lamps each, displaying a BCD format, I was sure there must be a better way. As transistors mutated to integrated circuits and costs plummeted, a number glyph was developed that could revolutionize numeral concepts. As not everyone is interested in the historical development of numerals, suffice it to say that man has spent several thousand years developing and changing his numeric glyphs. Now the age of the computer will require another change if man and machine are ever to communicate directly.

invention

Accepting the fact that digital equipment will never be anything more than

*Rad-Ex Syntactics, 1043 East Atchison Street, Pasadena, California 91104

off and on switches relegates them to *binary* operation. Man must learn to use these bits of information in an efficient manner. My own approach to this binary age is to reform the old Potter readout lamps by arranging them in illuminated bars as follows:



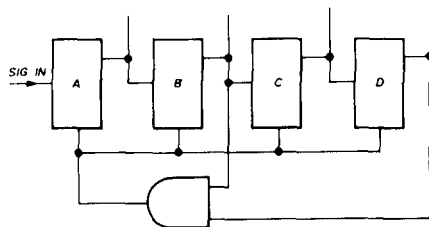
Why? These bars are a *direct* output from the decade counter. What has been gained? A readily readable symbol, reduced cost, simplified circuitry and more reliability.*

logic

To answer in more detail, some discussion of *logic*, *counters* and *circuitry* is necessary. It helps to remember that any digital device is just a mass of electrical switches. It depends on your own insight and knowledge to parallel or series them

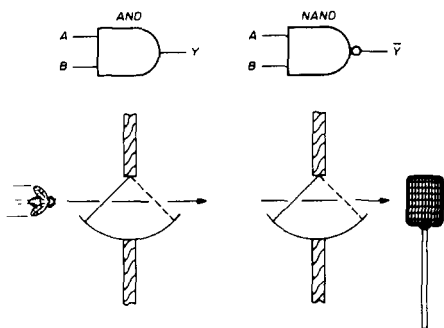
applied to a door and window forming the OR and NOR gates.

Master these concepts and their ramifications, and you will be able to follow any logic design. One ingredient you must apply to all logic is that in the real world a finite time must be allowed for signals



D	C	B	A	
0	0	0	0	0
0	0	0	1	1
0	0	1	0	2
0	0	1	1	3
0	1	0	0	4
0	1	0	1	5
0	1	1	0	6
0	1	1	1	7
1	0	0	0	8
1	0	0	1	9
1	0	1	0	10 = Reset signal
0	0	0	0	

fig. 1. Theoretical divide-by-10 ripple counter.



to produce your desired result. For instance, the door and screen door are AND gates. Both must be open for the fly to come in. The results can be negative, NAND, if somebody is waiting with the fly swatter. The same analogy can be

to pass through each logic block. Believe me, this is important. Usually, logic circuits end up in a counter, probably for display, or register, a group of binary bits which will be processed further.

The device of most interest to the amateur is the ripple counter. Fig. 1 is the logic diagram for a ripple counter decade unit. This unit should go through the binary sequence shown in the accompanying table and repeat.

The old problems of finite time and reality interfere and develop into a condition called *critical race*. Beware of these problems. It's been the downfall of many designs.

What happens is that the reset pulse has set all flip-flops to zero but in so doing, flip-flop B passes a trigger signal to flip-flop C and you find yourself with *binary 0100*. Thus, you spend a few more hours devising lockout circuitry so this

*U.S. Patent No. 3,671,943. A copy may be obtained from the Commissioner of Patents, Washington, D.C. 20231 (50 cents money order).

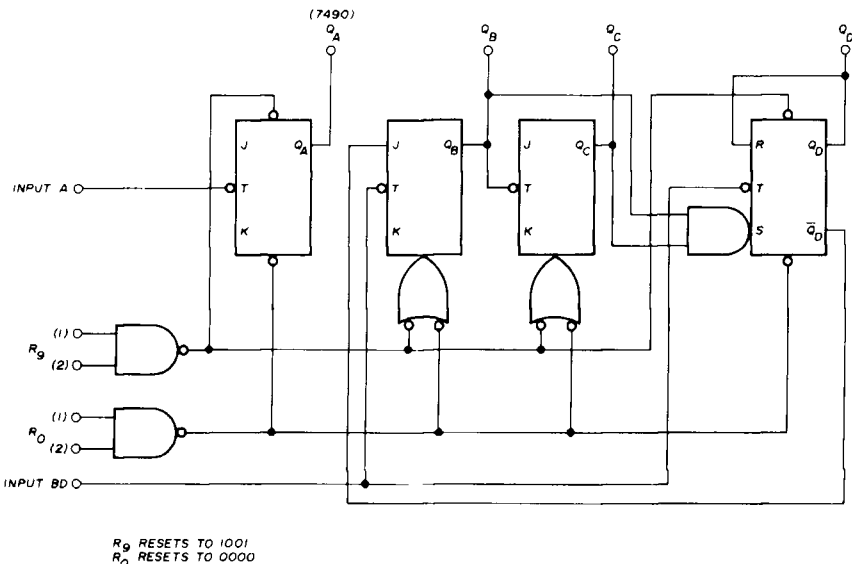


fig. 2. Commercial decade counter.

can't happen (see fig. 2, a commercial decade counter). Now that your counter is designed, you will need an indicator to communicate the binary number it holds.

About 30 years ago Potter built one of the first counters which, with four neon lamps per decade, displayed the state of each flip-flop. Each lamp was weighted 1, 2, 4 or 8 and you simply added the values, or, to be more precise, you learned binary equivalents for Hindu-Arabic numbers.

Engineers soon mastered the art of using gates. From then on it didn't take too much time to build decoding logic which could combine the counter outputs and light individual one-of-ten lamps such as the Nixie tube. Finally, the ten outputs were combined into a diode matrix to illuminate a 7-segment numeral (see fig. 3).

Rad-Ex began a search for a readout display which could be connected directly to a counter and would convey a feeling of quantity. The Rad-Ex numerals fit this concept perfectly and in surprising ways open up several interesting possibilities such as handwritten machine readable characters, and a new way to teach arithmetic.

technical

Electronically, the basic counter is different and more simple than present decade counters, has no critical race

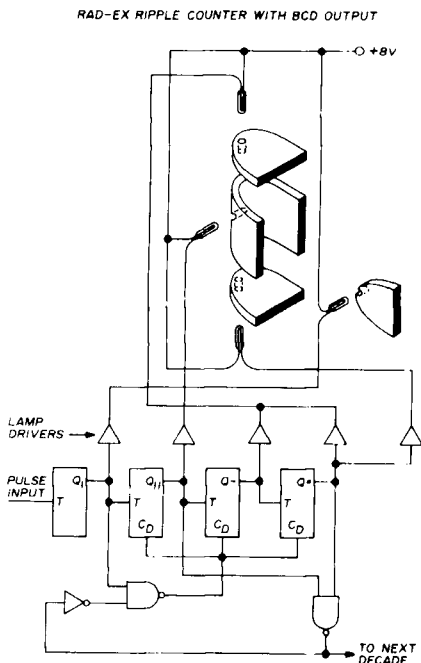


fig. 4. Rad-Ex System, decade counter to readout.

RIPPLE COUNTER WITH BCD OUTPUT

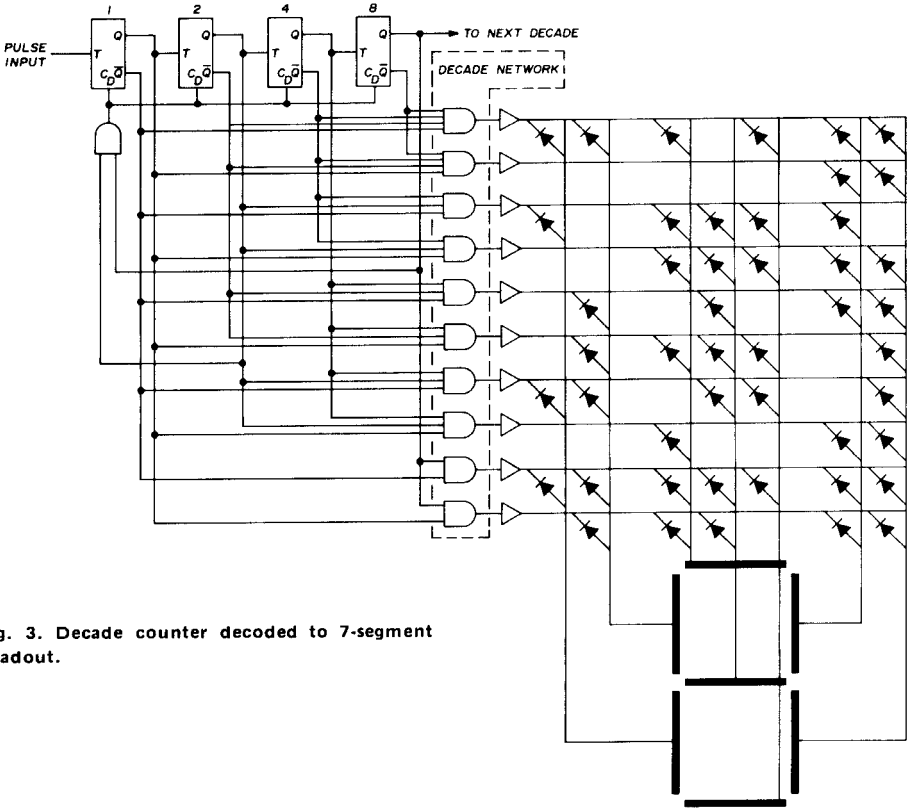


fig. 3. Decade counter decoded to 7-segment readout.

paths, while almost doubling the counting rate and automatically suppressing leading zeros. Fig. 4 shows the circuit; its truth table is below:

D	C	B	A
0	0	0	0 State Before Count Begins
0	0	0	1
0	0	1	0
0	0	1	1
0	1	0	0
0	1	0	1
0	1	1	0
0	1	1	1
1	0	0	0
1	0	0	1
1	0	1	0
1	0	1	1 AND to Reset
0	0	0	1

At first the truth table seems to indicate two zeros, but the fact is that

binary 0000 is a true starting point where no count exists. It is also a unique way of suppressing leading zeros. Once the counter starts, binary 1010 becomes the systems designated zero. (For many reasons it is handy to have a binary designation for zero; for instance, on a punch tape a blank space is ambiguous.) Electronically, good things happen too. Circuitwise, the first flip-flop is independent and needs no clear signal when counting. Thus critical races are eliminated, allowing the use of a simple 3-input NAND gate to reset the counter for each decade count.

For readout purposes, with one exception, the lamps are tied through lamp drivers directly to the flip-flops. The one exception is the case where binary 1000 also illuminates the lamp associated with flip-flop C.

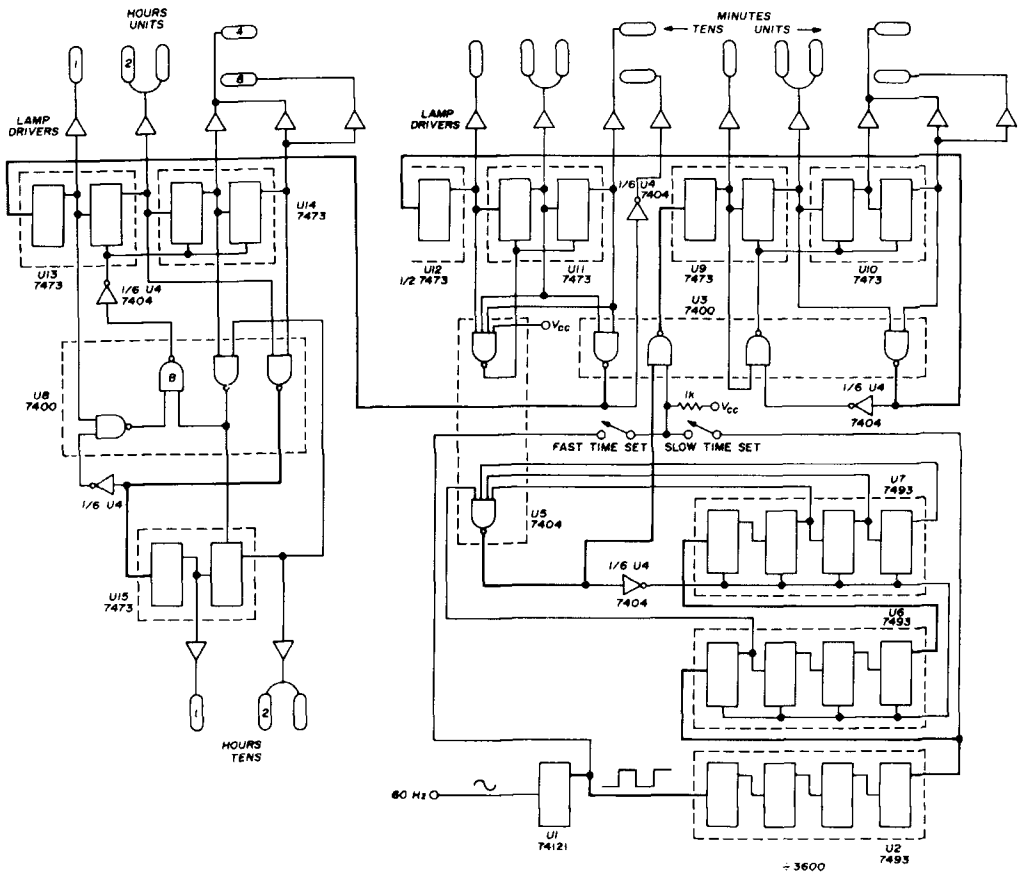


fig. 5. Twenty-four hour clock using Rad-Ex readouts.

application

The use of the Rad-Ex system can best be illustrated in a 24-hour clock where mixed counting is necessary. Fig. 5 is the logic diagram for the clock and should be used as reference in the following sequence of operation: 60 Hz is fed to a one-shot multivibrator, U1, simply to eliminate false triggering. The output from U1 triggers a chain of 7493 flip-flops U2, U6, U7, which are used as a ripple counter to divide incoming pulses by 3600 (1110, 0001, 0000).

All that is required for this operation is to detect the four binary ones and use a 4-input gate, U5, to reset U6 and U7 (U2 is already at 0000). The resulting one-minute pulses are fed to the first decade counter which displays zero to 9 minutes.

As the transition from binary 1001 to 1010 occurs, a pulse passes to a divide-by-6 counter. Again, the non-conventional system works to the advantage of simplicity. The truth table shows how the Rad-Ex numbers zero through 5 are energized.

C	B	A	
0	0	1	
0	1	0	
0	1	1	
1	0	0	
1	0	1	
1	1	0	
1	1	1	AND to Resets B & C
0	0	1	

The 24-hour portion of the clock uses the standard Rad-Ex decade counter plus a counter to keep track of the hours.

Essentially, the decade counter acts the same as the minute decade with the exception that the suppressed leading zero feature may be observed. The binary numbers 10 (2) and 0100 (4) are combined in a NAND gate, U8, to reset both decade and modulo-4 counters to binary

A check of the cost of ICs for this unit amounts to \$9.85. ICs for a comparable clock designed to use 7-segment readouts cost about \$14.00. A set of Rad-Ex readouts costs \$4.75; the 7-segment readouts and four decode units cost about \$15.00.

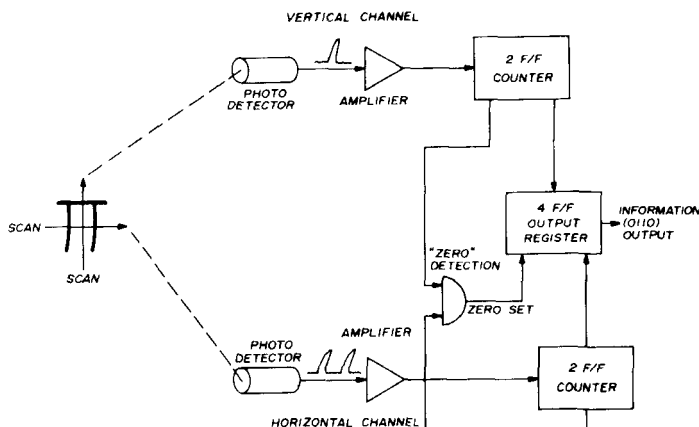


fig. 6. Rad-Ex optical reader device.

(00) (0000). Thus, until the first hour is reached only the minute display is illuminated.

The sharp eye may spot two NAND gates, part of U3A and U8B, which don't seem quite right. Here you must juggle your logic thinking for in the case of the NAND gate, I say, "If both inputs A and B ($A \cdot B$) are high, Y is low (\bar{Y})."



You may look at this in a different way and say, "If A or B ($A+B$) is low, ($\bar{A+B}$), Y is high.



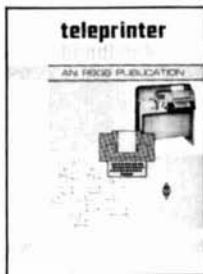
These two NAND gates are used in a NOR sense, U8B is used to clear the decade counter whenever the count of ten or 24 is present. Gate U3A is used to allow a fast or semi-fast setting of the clock.

future

As mentioned earlier, this is a symbol that can be handwritten and machine read. Fig. 6 is a block diagram showing a method of scanning the numeral to set up a BCD character. The number is scanned horizontally to pick up ones and vertically to pick up fours. These outputs are combined in a shift register which on command transmits the BCD word.

Hopefully, this article will inspire experimenters, hobbyists, and professionals to become involved in the man-machine communication problem. At present, there is a growing need for man to communicate through handwritten glyphs directly to computers, with bank drafts and zip codes being prime examples. There is also need to simplify instrumentation so that digital voltmeters, frequency counters, etc. can talk more directly and less expensively to you. Rad-Ex Syntactics feels we have brought these goals closer to realization.

ham radio



TELEPRINTER HANDBOOK

The largest and most complete handbook on RTTY ever published.

Thirteen detailed chapters include page printers, auxiliary equipment, demodulators, power supplies, filters, test equipment and much, much more.

Contributors include a number of the world's leading RTTY amateurs. Truly a must book for any RTTY amateur.

360 pages, hardbound \$14.95 ppd

HAM NOTEBOOK

*by the Editors of
HAM RADIO Magazine*

The very best from the popular Ham Notebook Section in HAM RADIO Magazine. Hundreds of short ideas, simple circuits and useful hints on virtually every subject. Ten chapters including such subjects as Antennas, FM and Repeaters, and Test Equipment. No amateur's technical library is complete without this vital book.



Just \$3.95 postpaid

hr REPORT

prepared
by the
editors of
Ham Radio
Magazine

Completely new — Completely different. An airmail, twice monthly newsletter with all the news of amateur radio as it happens, not weeks later.

Covers everything, FCC, ARRL, Contests, DX, Hamfests, Industry news and much, much more.

The story behind the story plus the integrity of HAM RADIO'S editorial staff equal a publication you must have.

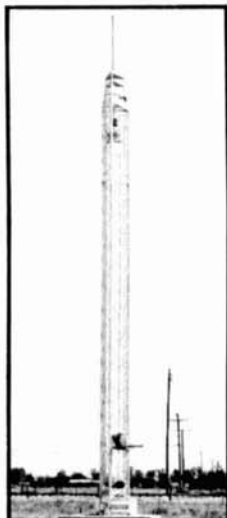
One Year (24 or more issues)

All copies sent airmail (except to New England states)

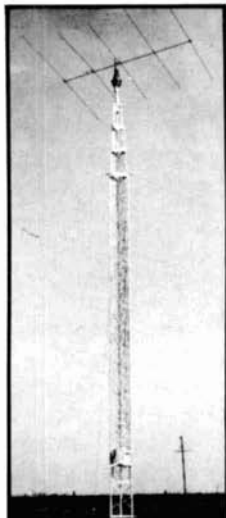
\$12.00 U.S. and Canada \$15.00 Worldwide

**ham
radio** *greenville, new hampshire 03048*

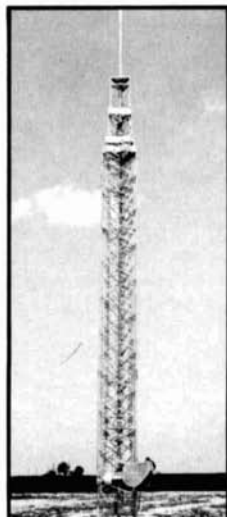
NOW.
Top-of-the-Line
Tri-Ex Towers
for HAM operators
at basic prices!



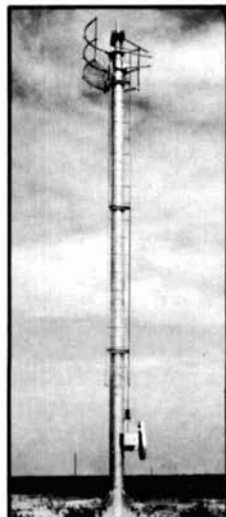
W-51



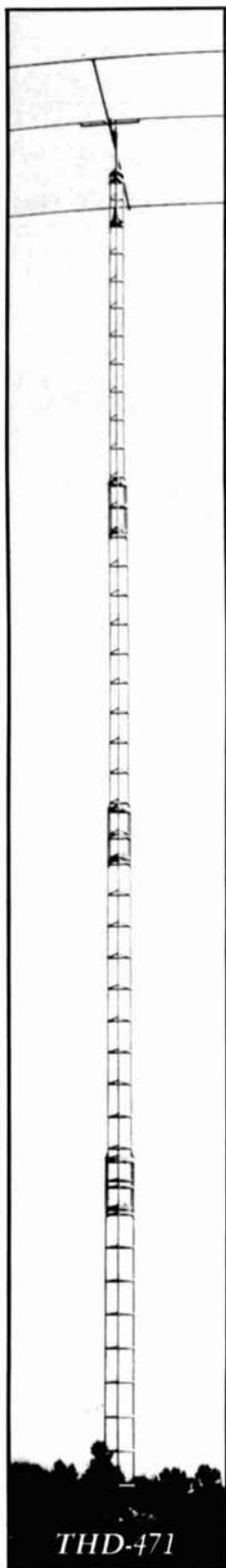
MW-65



LM-470D



TM-370



THD-471

Now you can afford the best! Free-standing or guyed, Tri-Ex Towers stress quality. All towers are hot dipped galvanized *after* fabrication for longer life. Each series is specifically engineered to HAM operator requirements.

W Series

An aerodynamic tower designed to hold 9 square feet in a 50 mph wind. Six models at different heights.

MW Series

Self-supporting when attached at first section — will hold normal Tri-Band beam. Six models.

LM Series

A 'W' brace motorized tower. Holds large antenna loads up to 70 feet high. Super buy.

TM Series

Features tubular construction for really big antenna loads. Up to 100 feet. Free-standing, with motors to raise and lower.

THD Series

Very popular. Low Cost. Holds Tri-Band antennas. Eight models — all support 7 square feet of antenna at full height in 70 mph winds. Guyed.

Start with Top-of-the-Line Tri-Ex Towers. At basic prices. Write today, for your best buy.



TOWER CORPORATION

7182 Rasmussen Ave.
 Visalia, Calif. 93277

new fets

simplify bias problems

The operating characteristics of several new field-effect transistor families simplify proper biasing

Many circuits in the amateur literature specify the Motorola MPF102 fet. The Texas Instruments 2N3819 and the Siliconix U183 have essentially identical data sheets to that of the MPF102. The trouble with all three of these devices is the 10-to-1 spread of I_{DSS} (2-20 mA) which makes bias point and performance somewhat unpredictable. I_{DSS} is the drain current when zero bias is applied between the gate and source terminals of the fet.

Courtney Hall, WA5SNZ, 7716 La Verdura Drive, Dallas, Texas 75240

bias problem

The circuit shown in fig. 1 is a typical fet biasing arrangement. The gate of the fet is held at ground potential (zero volts) by resistor, R_g , and the voltage drop across the source resistor, R_s , biases the source terminal to some voltage above ground. Thus, the gate is biased negative with respect to the source. The value of the gate-to-source bias is equal to the product of the drain current, I_D , in mA, and the source resistor, R_s , in kilohms. If R_s is 2000 ohms and I_D is 1.5 mA, the voltage across R_s is 3 volts. The gate is thus biased 3 volts more negative than the source.

Fig. 2 shows how drain current varies versus gate-to-source voltage for an fet whose I_{DSS} is 20 mA. This fet could be an MPF102, a 2N3819 or a U183. A straight line is drawn through the origin which represents a source resistor, R_s , having a resistance of 1000 ohms. Notice that a change of one volt along this line

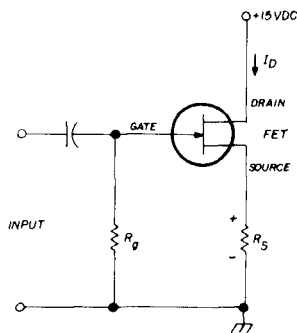


fig. 1. Typical field-effect transistor biasing arrangement.

results in a change in current of 1 mA, indicating a resistance of 1000 ohms.

The point where the straight line intersects the curve gives the values of drain current and gate-to-source voltage. In this case the drain current is about 3.7 mA, and the gate-to-source voltage (drop across R_S) is about 3.7 volts. Fig. 3 shows how the situation is changed if the fet is replaced by one having a value of I_{DSS} equal to 2 mA. The drain current is now 0.48 mA, and the gate-to-source voltage is 0.48 volt. This shows that the drain current of an MPF102, 2N3819 or U183 may be anywhere from 0.48 mA to 3.7 mA when a 1000-ohm source bias resistor is used.

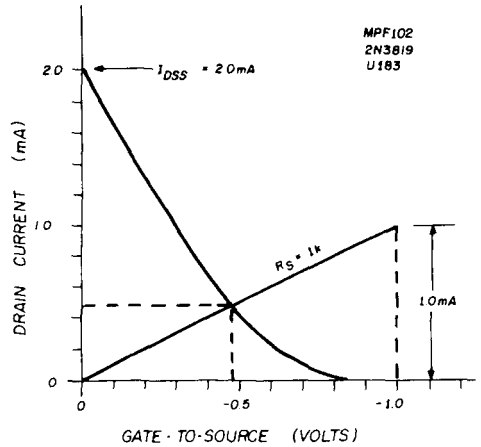


fig. 3. Typical fet drain current vs gate bias characteristic for $I_{DSS} = 2$ mA.

But if a 10k resistor is used for R_D , and a 2N3819 with I_{DSS} equal to 20 mA is plugged into the circuit, the drain current will try to be 3.7 mA, which would produce a 37 volt drop across R_D . Obviously this is impossible with a 15-volt supply, so the fet simply saturates, and linear amplification is not possible. If, on the other hand, R_D is chosen so that it has a 5-volt drop when the current through it is 3.7 mA (I_{DSS} equal to 20 mA), its value would be

$$R_D = \frac{5 \text{ volts}}{3.7 \text{ mA}} = 1.35\text{k ohms}$$

If this value of resistor is used with an fet

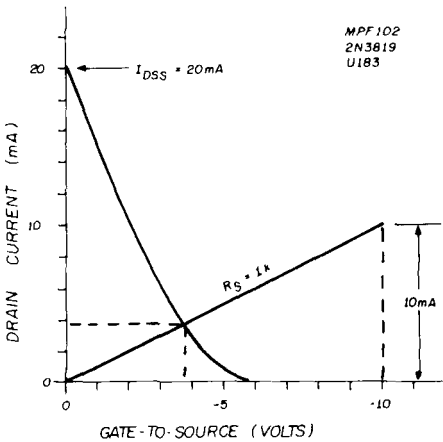


fig. 2. Typical fet drain current vs gate bias characteristic for $I_{DSS} = 20$ mA.

With such a wide range of possible drain current, it is impossible to choose an efficient drain load that would be suitable for all fets of these types. As an example, suppose a 2N3819 is to be used in a resistance-coupled audio amplifier stage such as shown in fig. 4. Under no-signal conditions, it is desired that the dc drain voltage be 10 volts. This means there must be a 5-volt drop across the drain resistor, R_D . If a 2N3819 is used which has an I_{DSS} of 2 mA, the drain current will be 0.48 mA, and the value of R_D should be

$$R_D = \frac{5 \text{ volts}}{0.48 \text{ mA}} = 10.4\text{k ohms}$$

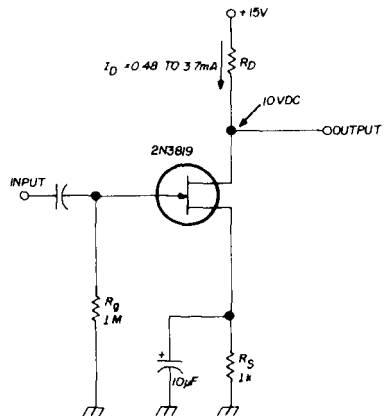


fig. 4. Simple audio amplifier circuit using a 2N3819 fet.

having an I_{DSS} of 2 mA, the drop across it will be only

$$(0.48 \text{ mA}) (1.35\text{k}) = 0.65 \text{ volt}$$

The problems involved in biasing fets with large I_{DSS} spreads should now be quite apparent.

new fets give relief

One way to get around this biasing problem is to take a large number of fets and sort them into groups, each group having a relatively narrow I_{DSS} range. Fortunately, manufacturers are now doing this. Texas Instruments has taken the 2N3819 and broken it into five fet types, each of which has an I_{DSS} spread of 2 to 1 or less. These fets, which have a different pin configuration than the 2N3819 are listed in table 1. All of these

table 1. List of 2N3819-type fets with small I_{DSS} spreads.

fet type	I_{DSS}
2N5949	12-18 mA
2N5950	10-15 mA
2N5951	7-13 mA
2N5952	4-8 mA
2N5953	2.5-5 mA

fets are priced under a dollar in small quantities, and they should be available from any of the larger electronic wholesalers which stock TI semiconductors.

Fig. 5 shows how the drain current of a 2N5953 would be in the range of 0.7 to 1.1 mA if its source bias resistor is 1000

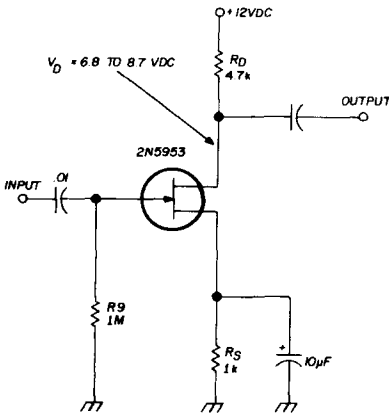


fig. 6. Audio amplifier circuit using a 2N5953 fet.

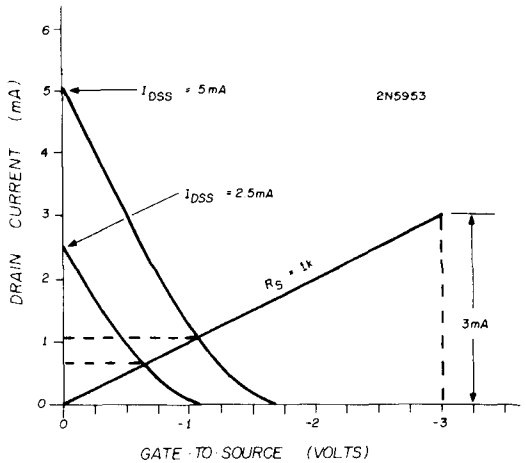


fig. 5. Typical drain current vs gate bias characteristic for Texas Instruments 2N5953 fet.

ohms. The drain current could be said to be 0.9 mA, ± 0.2 mA for all 2N5953 fets used with a 1000-ohm source bias resistor. Fig. 6 shows a practical fet audio amplifier circuit using the 2N5953. Voltage gain is typically around 10, and any 2N5953 used in this circuit will be reasonably well biased.

The Motorola 2N5484 series, priced at about a dollar each, have I_{DSS} spreads of 5 to 1 and 2.5 to 1.

fet type	I_{DSS}
2N5484	1-5 mA
2N5485	4-10 mA
2N5486	8-20 mA

This isn't as good as the TI 2N5949 series, but is considerably better than the MPF102 types.

conclusion

The newer fets, having lower I_{DSS} spreads, allow the use of simple bias arrangements to arrive at reproducible circuits. The cost of these devices is not much higher than the older types having wide I_{DSS} spreads. Thus, fets may be applied with greater ease to a wide variety of circuit applications, and the high input impedance of fets may be taken advantage of without the penalty of unpredictable bias conditions.

ham radio

VALUES GALORE... EVERYDAY AT THE FM SUPERMARKET

When you want FM equipment, you shouldn't have to wait for special sales to get the most value for your dollar. At the FM Supermarket every day is a special day for value. Whether you want the ruggedness and reliability of used commercial radios or the convenience of such radios as Clegg, ICOM, Genave, SBE, or our own synthesized SPEC II, you get the most in value from "The FM People".

Here is just a small listing of the low every-day prices on used Motorola radios. Compare for yourself and see what we mean.



LOW BAND 12 volt-trunkmount

MODEL	DESCRIPTION	PRICE
FMTR80D	30w, dynamotor	\$ 30.00
FMTR140D	60w, dynamotor	40.00
FMTR41V	12w, vibrator	25.00
U41GGT	30w, transistor	100.00
U51GGT	50w, transistor	110.00
U41HHT	30w, motrac ps	200.00
U51HHT	50w, motrac ps	225.00
U71HHT	100w, motrac ps	250.00
T71GJT	100w, transistor	125.00

6/12 volt-trunkmount

T41GGV	30w, vibrator ps	70.00
T51GGD	60w, dynamotor	40.00
T51GGV	60w, vibrator ps	75.00
T51AGD	60w, dynamotor	40.00

HIGH BAND 12 volt-trunkmount

MODEL	DESCRIPTION	PRICE
FMTRU80D	30w, dynamotor	\$ 35.00
FMTRU140D	50w, dynamotor	45.00
U43GGT	30w, transistor	100.00
U43HHT	30w, motrac	200.00
U53HHT	50w, motrac	225.00
U63HHT	80w, motrac	250.00
U73MHT	110w, motrac	300.00

6/12 volt-trunkmount

T33GGV	10w, vibrator ps	50.00
T43GGV	25w, vibrator ps	75.00
T43GAD	30w, dynamotor	35.00
U53GKT	60w, transistor ps	125.00
T53GKD	60w, dynamotor ps	65.00
FMTRU41V	10w, vibrator ps	25.00

Motrats subject to availability.

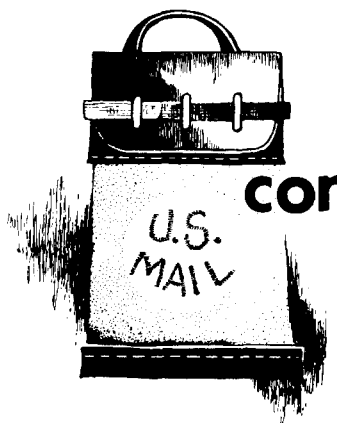
TERMS OF SALE: Sales to licensed Radio Amateurs for use on Amateur freqs only. All prices FOB Oak Park, IL. Check with order, COD or you can charge to your BankAmericard or Master Charge.

STORE HOURS: Mon.-Thurs. 9:30-6:00, Fri. 9:30-8:00, Sat. 9:30-3:00. Closed Sun. & Holidays
INQUIRIES WITHOUT ZIP CODE OR CALL . . . NO ANSWER



SPECTRONICS
1009 GARFIELD STREET
OAK PARK, ILL. 60304
(312) 848-6778





comments

log-periodic antennas

Dear HR:

Last December the Cyprus Government issued me a ham ticket. Then I began a mad scramble, looking for a source of commercial beam antennas. I quickly found that all antennas cost at least double the retail prices in the United States. Considering the cost of a beam, tower and rotator, it was very discouraging. Next, I searched for material for building my own beam. Aluminum is practically unobtainable here, and PVC tubing was out because the available material is too thin and flexible.

The log-periodic antenna article by W4AEO in the September, 1972, issue of *ham radio* provided the answer. It was the only antenna I could find parts for and the design had sufficient gain to consider working the United States (as noted by myself and others, most of the signals from the States on 20 meters average 20-dB less here than reported by stations located in continental Europe).

Putting the log periodic together was much faster than I imagined, but a vswr of 4:1 when fed with 50-ohm coax was a puzzle until a check with a noise bridge indicated the input impedance was 200 ohms. I wound a 4:1 balun and maximum vswr on 15 and 20 meters is now 1.2:1. On-the-air reports indicate at least 8-dB gain. I'm running a Collins KWM-2 bare-

foot, but many old timers accuse me of using at least a kilowatt.

It goes without saying that W4AEO's log periodic, while requiring some acreage, provides considerable gain and solves the parts and money problem. Due to W4AEO's article, a number of us in Nicosia are building other log periodics. We are discovering that the surface has only been barely scratched, and amateurs still have plenty of elbow room to incorporate their own innovations.

Stan Whiteman, 5B4AO/W1MDZ
Nicosia, Cyprus

reciprocating detector

Dear HR:

I have received several letters regarding my "reciprocating detector" article which appeared in the March, 1972, issue of *ham radio*. Transistor Q5 is part of the reciprocating detector switch, but the questions are understandable due to the lack of a dot to show a connection in the schematic; resistors R4 and R5 should be joined with a dot where these two resistors form a junction point at the input to the diode and the base of Q5. The diode is a 1N252.

Several readers have also asked where the selectivity curve is 500-Hz wide and what is its slope. The filter I used was designed to have its 500-kHz passband at the 3-dB points on a slope which is not particularly steep for an inductive filter. Indeed, at 500 Hz, the L3 inductance is very loosely coupled to the other two sections of the transformer. The bandpass formula (f_r/Q_o) indicates that the bandpass of the filter is actually narrower than

500 Hz – in fact, bandpass is closer to 250 Hz. The 390-ohm resistor used in series with one of the differential inputs loads the thing down so it is broader. If the bandpass is too narrow, poor lock-in range is experienced on a-m, and there is very poor “presence” in the quality of ssb signals. If the bandpass is too wide, poor impulse rejection will result.

Stirling M. Olberg, W1SNN
Waltham, Massachusetts

vhf fm in the United Kingdom

Dear HR:

Fm channel operation in the United Kingdom is now going strong, thanks to the imported black boxes and new regulations permitting 12.5-kHz deviation (there are lots of 25-kHz mobile equipment around, made by Pye and Storno). We now have one repeater working north of London in Hertfordshire. The callsign is GB3PI with input at 145.15 MHz and output at 145.75 MHz (600-kHz spacing). This repeater just covers outer N. London.

Our Radio Society of Great Britain now has at least five applications for repeaters, and our group, the UK FM Group (Southern), hopes to be able to put a repeater in Hampshire (one of five). Coverage of this repeater should be from Southampton to the edge of southwest London.

John Akam, G8BIH
Wooteys, Alton, Hants

finding square roots

Dear HR:

The technique for computing square roots described in the *ham notebook* by K9DHD in the September, 1973, issue can be extended to increased accuracy by carrying out further iterations. For example, if one uses the first approximation of the square root of 54 obtained as the next estimate and recomputes, an answer of 7.348469 is obtained; this

closely approximates the 7.348692 provided by the square root key on my calculator.

As another example, my calculator gives the square root of 75 as 8.660254. Using the Mechanic's Rule, first iteration results in an answer of 8.6875; the second then becomes 8.6602965, and the third the desired 8.660254 whose square is 74.999999. These answers were obtained using the very crude first estimate of 8.

Fred R. Scaif, Jr., K4EID
Springfield, Virginia

Dear HR:

I would like to add a note to the short article on finding square roots which appeared in the September, 1973, issue of *ham radio*.

In that article K9DHD gave a procedure for estimating the square root of any number. By a simple extension, arbitrary roots of any number can be determined with a little work and a hand-held digital calculator. To find the nth root of any number P, estimate the root, X_0 , and use the following formula

$$X_1 = \frac{1}{n} \left[(n-1) X_0 + \frac{P}{X_0^{n-1}} \right]$$

where X_1 is the desired root. For the case of a square root, $n = 2$, this formula is the same as that presented by K9DHD. For a cube root, $n = 3$, and the formula is

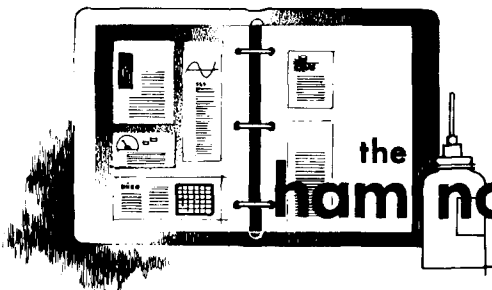
$$X_1 = \frac{1}{3} \left(2X_0 + \frac{P}{X_0^2} \right)$$

For example, to find the cube root of 30, first estimate the cube root (about 3.1). Then

$$X_1 = \frac{1}{3} \left[(2 \times 3.1) + \left(\frac{30}{3.1^2} \right) \right] = 3.107$$

This is very close to the accepted, approximate, cube root of 30, 3.1072. Of course, the closer your initial estimate, the closer the answer will be to the exact value. With a little patience, this formula will do great service to anyone making use of it.

Stephen R. Alpert, W1GGN
Auburn, Massachusetts



the ham notebook

surplus thumbwheel switch modification

At this year's Rochester Hamfest I picked up at a bargain price an assembly of thumbwheel switches made for Fairchild consisting of 20 Digiswitch C units. I needed these to complete my frequency synthesizer.¹ I took a chance on these switches in spite of the fact that the connector terminals plainly showed they were coded 1 2 4 2' (the last number is read, "two prime") and not the 1 2 4 8 BCD called for in most synthesizers. I took this calculated risk since, first, I am a cheapskate and the price was too good to resist, and second, I hoped to convert the switching to the required coding.

I am happy to say that I was successful in converting the switches to the desired coding, and I offer the following for other bargain hunters since these switches appear to be in plentiful supply and will probably be showing up on the surplus

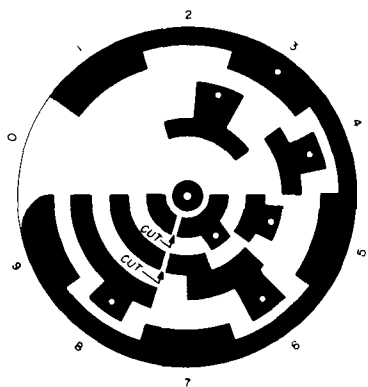


fig. 1. First step in the modification is removal of two thin sections of conducting material on the wiper side of the switch.

market. Since the old 1242' code is passed now, these switches can be purchased for one-tenth of their original cost. The time required to rework each switch amounts to 7 to 10 minutes, so one evening's work can yield all the switches necessary for a two-frequency synthesizer.

These switches can be identified by placing a single unit so the thumbwheel number is right side up and facing to the

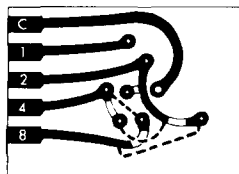


fig. 2. On the reverse side of the switch remove the sections indicated and install the three jumpers.

right. The edge connector coming out the back then indicates, from bottom to top, 335-1, which I presume is the model number, C (common), and 1 2 4 2'. To modify the switch, remove the PC board from the case and set it on the bench so the inside is facing upwards, and the gap is oriented at 9 or 10 o'clock. Using an Xacto knife, remove a thin sliver of the conducting material from the second and third contacts from the center as shown in fig. 1. The cut edges should be bevelled so the moving contact can slide up and over easily.

At the same time, remove the 2' designation and scratch in an 8 in its place. Turn the PC board over and, referring to fig. 2, cut away all the conducting material indicated by the crosshatch. From a small length of approximately no. 22 stranded wire use a single strand to solder in the three jumper-

ers where shown. Be sure the solder doesn't lump up since these switches have minimal clearance between units when stacked. For best results use a small soldering *iron*.

table 1. With an ohmmeter connected between the common and pins 1, 2, 4 and 8, respectively, of the modified Digiswitch, you should obtain the following readings.

number	1	2	4	8
0	open	open	open	open
1	short	open	open	open
2	open	short	open	open
3	short	short	open	open
4	open	open	short	open
5	short	open	short	open
6	open	short	short	open
7	short	short	short	open
8	open	open	open	short
9	short	open	open	short

When you are finished, put the two parts together and check out the switching sequence to make sure it agrees with table 1. Use an ohmmeter, one lead on C and the other lead on 1 2 4 and 8, respectively, to make sure the BCD sequence is correct.

Geo. Hrischenko, VE3DGX

reference

1. A.D. Helfrick, K2BLA, "High-Frequency Frequency Synthesizer," *ham radio*, October, 1972, page 16.

cutting a minibox down to size

Although several sizes of metal boxes and chassis are available to experimenters, sometimes the nearest size for your project is a little too large. It is not difficult to reduce the *height* of a two-piece metal box. One-half of the box is the top and two ends; the other half is the bottom and two sides.

From the first piece cut down the *ends* to the desired height. On the other piece cut down the *sides* to the same height. The result is a Minibox that fits and looks as good as the original, but which has less height.

I. Queen, W2OUX

finding the focal length of surplus microwave dish antennas

The focal length of most parabolic dish antennas can be determined with two simple measurements, the diameter and the depth as shown in fig. 3. The antenna's surface can be described by

$$Y^2 = 4Px$$

where P represents the distance from the vertex to the focal point. The equation is that of a parabola with its vertex at $x = 0$, $Y = 0$. The curve is symmetric about the x-axis and opens to the plus-x direction. The coordinates of one point other than the vertex are needed to determine the

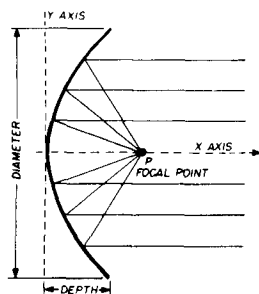


fig. 3. Cross-section of a typical microwave dish antenna. Equation for finding the focal point is given in the text.

curve. The edge of the antenna is a convenient point. The diameter is equal to $2Y$ and the depth is equal to x . Solving for the focal length P

$$P = \frac{Y^2}{4x} = \frac{(\text{diameter})^2}{4 (\text{depth})}$$

or
$$P = \frac{1}{16} \frac{(\text{diameter})^2}{\text{depth}}$$

The units of P are the same as those used to measure the depth and diameter. This method also works for orange-peel or segment dishes, but cannot be applied directly to off-center-feed dish antennas.

John M. Franke, WA4WDL

new products

six-meter transceiver



Linear Systems has announced the introduction of a new amateur transceiver for use on the 6-meter band. The transceiver, known as the SB-50, is completely solid-state and weighs only 7 pounds. The SB-50 is synthesized with variable frequency control of both receiver and transmitter with separate receiver incremental tuning control. It covers the band from 50.05 to 50.28 MHz. The new transceiver should be especially useful for mobile installations since it contains a very effective noise limiter.

The SB-50 is rated at 20-watts PEP input and 8-watts a-m. Receiver sensitivity is less than 0.5 microvolt for 10-dB S + N/N and selectivity of 20 dB at 3 kHz and 60 dB at 6 kHz. Additional features include a lighted S-meter which indicates receive signal strength as well as power

output in both the ssb and a-m mode, separately adjustable receiver incremental tuning and an external speaker connection. The transceiver comes equipped with push-to-talk dynamic microphone and mobile mounting bracket.

For further information regarding the new SBE SB-50 6-meter transceiver, write to Linear Systems, Inc., 220 Airport Boulevard, Watsonville, California 95076, or use *check-off* on page 94.

two-meter converter

Janel Labs has announced a new crystal-controlled two-meter converter that combines an impressive list of performance features with a low selling price. This new converter, the 144CC, rounds out the Janel line that already includes the deluxe 144CA high performance two-meter converter. Other products include converters for 50, 220 and 432 MHz as well as a complete line of receiving preamps.

The new 144-MHz converter uses gate-protected dual-gate mosfets to provide high sensitivity while avoiding serious overload effects. The carefully designed circuit allows full utilization of the mosfet sensitivity with one rf amplifier. This is of great help in preventing cross-modulation overload by keeping the signal level low at the mixer. It allows reception of signals with 15 to 20 dB greater strength than is possible for converters with two rf stages.

The converter is virtually free from birdies due to the use of a seventh overtone crystal oscillator. This high overtone oscillator eliminates the need for frequency multipliers. This feature, standard in all Janel converters, is very effective in reducing spurious responses. Three tuned circuits between the rf amplifier and the mixer complete the defense against spurious responses.

An attractive, metallic green, die-cast cabinet is used with this compact converter. BNC connectors are provided on the back panel for input and output. A power connector for 12 Vdc is also provided. Gain is 20 dB and noise figure is 3 to 5 dB. Converters are available for i-f frequencies of 26-30 MHz or 28-32 MHz. The units, completely guaranteed, are priced at an economical \$49.95, postpaid. Order from Janel Laboratories, Box 112, Succasunna, New Jersey 07876. For more information, use *check-off* on page 94.

general-purpose op-amps



Teledyne Semiconductor has introduced a low cost, general purpose operational amplifier series, LM 141/142, which fills the performance gap between the 741 and 108 type op amps. Improved electrical characteristics of the new series include an increased slew rate of $2V/\mu s$ providing full output voltage swing through the audio frequency range and reduced input bias current of 30 mA maximum and 5 mA input offset current maximum.

The LM 141 series is fully compensated internally and is compatible with existing circuit designs using the popular 741, 107 and 1556. The uncompensated LM 142 series is a replacement for 101A, 748 and 777 applications and approaches the input performance of the 108 series amplifiers at a significant price reduction. The LM 141/142 is expected to fit applications where the 741 falls short on speed and impedance performance. They have excellent characteristics for sample

All Mobile Antennas are NOT alike.

Larsen
Antennas
with
exclusive
Külrod®
let you



HEAR the difference!

Mobile Antennas should be judged on the basis of ruggedness, ease of installation and performance . . . mostly performance. Larsen Külrod Antennas are "solid" on all scores. They have a low, low silhouette for best appearance and minimum wind drag. Hi-impact epoxy base construction assures rugged long life. The Larsen mount gives you metal to metal contact, has only 3 simple parts and goes on fast and easily.

And performance! Larsen Antennas for the 144-148 MHz range deliver a full 3 db gain over a 1/4 wave whip. V.S.W.R. is less than 1.3 to 1. The exclusive Larsen Külrod assures you no loss of RF through heat. Handles full 150 watts.

It all adds up to superior performance . . . just one of many reasons why Larsen Antennas are the fastest growing line in the commercial field in both the U.S. and Canada. Available as antennas only or complete with mounting hardware coax and plug. Write today for fact sheet and prices.

Sold with a full money back guarantee.
You hear better or it costs you nothing!

Need a BETTER 450 MHz Antenna?

Get the Larsen 5 db gain Phased Collinear. Same rugged construction and reliability as the 2 meter Larsen Antennas including exclusive Külrod. Write for full fact sheet.



©Külrod . . .
a trademark of Larsen Electronics

Larsen Antennas

1161 N.E. 50th Ave. • Vancouver, WA 98665
Phone: 206/695-5383

For fastest mail service address:
P.O. Box 1686 - Vancouver, WA 98663

**HERE IS A FIST FULL
of 2 METER POWER**



NEW

American Made
Quality at Import Price

**Model HRT-2
5 Channel, Narrow Band
2.2 watt FM Transceiver**

This light weight, "take anywhere" transceiver has the "Regency-type" interior componentry to give you what others are looking for in portable communications. You get a heavyweight 2.2 watt signal . . . or if you want, flip the HI/LO switch to 1 watt and the receiver gives you 0.7 uv sensitivity and 0.5 watts audio. Both transmitter and receiver employ band-pass circuitry so that power and sensitivity are maintained across the entire band. Get one to go. . . . only

\$179⁰⁰

Amateur Net

Regency ELECTRONICS, INC.

7707 Records Street
Indianapolis, Indiana 46226

*An FM Model For Every Purpose . . .
Every Purse*



HR-2MS
8 Channel Transcan
2 Meter FM Transceiver



HR-212
12 Channel-20 Watt
2 Meter FM Transceiver



AR-2
2 Meter FM
Power Amplifier

and hold circuits, long interval integrators, timers and active filter through the audio frequency range. Each amplifier meets all of the standard electrical characteristics and also includes the convenience features of short circuits and latch up protection found in other general-purpose amplifiers.

Teledyne Semiconductor will provide a free sample of the LM 141/142 to qualified engineers who respond on company letterhead with information on intended application. For more information, write to Teledyne Semiconductor, 1300 Terra Bella Avenue, Mountain View, California 94040, or use *check-off* on page 94.

**base-station
power supply**



E&L Instruments has developed a new power supply designed primarily for ham radio enthusiasts. The unit, called the PW-4, produces enough power to operate both an fm transceiver and an amplifier simultaneously. The new PW-4 uses 110-120 volt ac input power, and produces a rated output of 13 volts dc at 10 amps, IC regulated to $\pm 3\%$. This increased power capability means that amateurs with mobile units in their cars may take them into homes for use at night. The

PW-4 features a modern cabinet design, current limiting and reliable heavy-duty components.

It can be used with most 12 to 13-volt dc transceivers, together with 50 to 60-watt amplifiers. The PW-4 is available direct from the factory, or from local distributors, at \$84.95. For more information contact E&L Instruments, Inc., 61 First Street, Derby, Connecticut 06418, or use *check-off* on page 94.

programmable voltage regulator



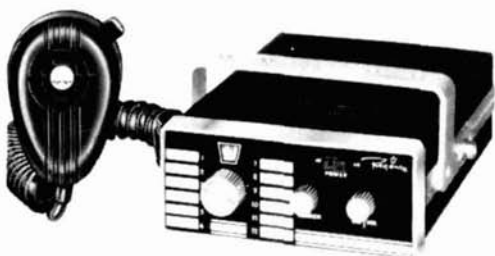
A 100-watt hybrid silicon voltage regulator capable of line regulation of 0.10 percent and load regulation of 0.15 percent has been introduced by Motorola. The new MPC1000 is a 10-ampere positive or negative series voltage regulator capable of operating with input voltages as high as 60-volts. Output voltage can be adjusted from 2 to 35-volts.

Output currents of 10-amperes are easily obtained from the MPC1000 without external pass transistors; however, circuits using external pass transistors can expand the capability of the regulator to handle currents in excess of 50-amperes. Current limiting protection also has been built-in to protect the regulator from excessive surge currents.

The price for the MPC1000 in a 9-pin, metal TO-3 package is \$14.95 in single unit quantities. For more information contact the Technical Information Center, Motorola Inc., Semiconductor Products Division, P.O. Box 20924, Phoenix, Arizona 85036, or use *check-off* on page 94.

More Details? CHECK-OFF Page 94

Regency [®] HR-2B gives a lot to talk over



American Made Quality at Import Price

Full 12 Channel, 15 Watts with HI/LO power switch

Here is everything you need, at a price you like, for excellent 2 meter FM performance. The 12 transmit channels have individual trimmer capacitors for optimum workability in point-to-point repeater applications.

Operate on 15 watts (minimum) or switch to 1 watt. 0.35 uv sensitivity and 3 watts of audio output make for pleasant, reliable listening.

And the compact package is matched by its price.

\$229⁰⁰

Amateur Net

Regency [®] ELECTRONICS, INC.

7707 Records Street
Indianapolis, Indiana 46226

An FM Model For Every Purpose . . .
Every Purse



HR-6
12 Channel-25 Watt
6 Meter FM Transceiver

HR-220
12 Channels-10 Watts
220 MHz FM Transceiver

ACT 10 HI/LO
3 Band-10 Channel FM
Scanner Receiver

NES

NURMI ELECTRONIC SUPPLY

Department 16
1727 Donna Road • West Palm Beach, Florida 33401
PHONE — (305) 686-8553



HEP 170's
THE "DO EVERYTHING"
2 1/2 AMP, 1000 VOLT DIODE



Motorola is catching up on the backlog and we've got thousands of them back in stock. 10/83.00 — 100/825.00

RCM 40673'S

THE MOST POPULAR DUAL GATE PROTECTED MOS FET around. Good to over 400 MHZ. We got 'm and you get 'em for only 5/\$6.00

RG-174/U

WE WENT THROUGH 20 MILES OF IT LAST TIME!

We are authorized Belden Distributors and new shipments have come in from the factory. Split a 500' spool with a friend and save \$5555

BELDEN NO. 8216 100'/\$4.95 — 500'/\$18.40

RF POWER TRANSISTORS

We did it again - All brand new with standard markings and most were manufactured this year. A major manufacturer dropped his RF power line and we bought his inventory.

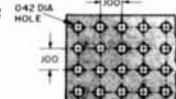


2N5589	3 Watts Out	\$ 3.50	2N6082	25 Watts Out	10.00
2N5600	10 W Watts Out	6.00	2N6083	30 W Watts Out	12.00
2N5691	25 W Watts Out	12.00	2N6084	40 W Watts Out	15.00
2N6080	4 W Watts Out	5.00			

All are Silicon NPN and power output ratings are good to 175 MHZ. Hurry! Some quantities are limited.

KEYSTONE PERF BOARD

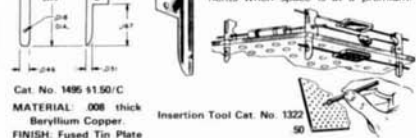
G-10 Glass Epoxy
Perf Board 3/64" Thick.



-UNCLAD-			-COPPER CLAD ONE SIDE-		
No.	Size (in.)	Price	No.	Size (in.)	Price
4229	2 x 4 1/2	\$.85	4238	2 x 4 1/2	\$1.35
4230	2 x 6	1.09	4239	2 x 6	1.85
4231	4 1/2 x 6	1.55	4240	4 1/2 x 6	3.20
4232	17 x 6	5.75	4241	17 x 6	6.70

PUSH-IN TERMINALS For .042 DIA. HOLES

The terminal is easily press-fit into a .042 dia. hole without staking or the base may be flared for permanent installations. Ideally designed for use in micro-circuitry to support components when space is at a premium.



Cat. No. 1495 \$1.50/C
MATERIAL: .008 thick Beryllium Copper
FINISH: Fused Tin Plate

Insertion Tool Cat. No. 1322 \$5.00

PROTOTYPE KIT

An essential "Do It Yourself" building block for experimental or production runs

For construction of 1/16" and 3/32" thick terminal boards. This is the least expensive way to purchase a complete assortment of basic materials and staking tools needed. Ideal for experimental or short production runs. **SAVE COSTLY TOOLING AND SETUP CHARGES.** Kit consists of 1/16" and 3/32" bakelite, blank and prepunched boards. Assortment of hardware such as eyelets, terminals, brackets, bushings and push-in terminals. A complete terminal staking tool kit and instructions.



CAT. NO. 1723
\$17.00

WE GUARANTEE WHAT WE SELL!!!!

We ship UPS whenever possible. Give street address. Include enough for postage, excess refunded in cash. Florida residents include 4% Tax.

slinky dipole antenna

The Slinky Dipole is a new Amateur antenna which combines good performance with practical size and the ability to erect or disassemble in a minimum time. It requires no matching network for low vswr operation in 50-ohm systems, and can be installed indoors in an attic or crawl space with 25- and 70-feet of available length.

The Slinky Dipole operates at 80, 40 and 20 meters and comes in kit form, including a balun, center insulator, 50-foot of RG-58/U coaxial feedline, a PL259 connector and a pair of specially made Slinky helical spring conductors. Assembly of the antenna from the kit components takes about one-half hour, and the initial setup from the completed kit to an operating antenna can be accomplished in another 30 to 60 minutes, depending on the particular installation.

The performance of the antenna is as good as that of a full-size dipole. The power capacity of the antenna is 1000 watts CW (2000 watts PEP on ssb), and the vswr is typically less than 2.5:1 over the full 80/75-meter band and less than 1.8:1 over the full 40- and 20-meter bands.

The antenna is very versatile. As opposed to normal dipole antennas which only operate at discrete lengths, the Slinky Dipole will perform for any available length between 24' and 70' on 80/75 meters, between 12' and 35' on 40 meters, and between 18' and 6' on 20 meters. The antenna will also work in an apartment house, provided that the steel supports used in the construction are more than 150-feet apart for 75-meter operation (75-feet apart for 40-meter operation), and that the walls are essentially non-conducting.

The price for the complete antenna kit is \$24.95, including all accessories, or \$14.95 for the special Slinky coils alone. Include \$1.00 for shipping. For more information, write to Teletron Data Corporation, 2950 Veterans Memorial Highway, Bohemia, L.I., New York 11716, or use *check-off* on page 94.

variable rf attenuator



Singer Instrumentation's new variable rf attenuator operates from dc to 500 MHz with an attenuator range of 10 to 60 dB. It is particularly suitable for coupling between instruments, checking transmitter out-put and receiver system degradation. Power dissipation is 100 mW. Input and output impedances are 50 ohms. Typical accuracy curves for each 10 dB of attenuation over the full frequency range are provided. The unit is priced at \$130 and is available from Singer Instrumentation, 3211 South LaCienega Boulevard, Los Angeles, California 90016. For more information, use *check-off* on page 94.

eliminating engine interference

Engine interference has long been a major problem to amateur mobile operators. This new book is concerned with solving this problem in a practical manner. It explains why modern engines create interference and discusses the parts of the engine that contribute to the problem. Instructions are included on how to identify and isolate the specific components that generate noise.

Commercial noise-suppression and shielding techniques are discussed, and instructions are given for their installation. Diagrams covering the most common types of automobile ignition wiring have been included. Automatic noise limiters are also covered as are such other interference problems as instruments, wheels and tires, turn and stop signals, power-supply vibrators and antennas. 128 pages, softbound, \$4.50 from HR Books, Greenville, New Hampshire 03048.

More Details? CHECK-OFF Page 94



GREGORY ELECTRONICS
Reconditioned & Used
FM 2-WAY RADIO SAVINGS
Send for New Catalog



**Two real
good buys!**

RCA CMCT30 2 Meters

Transistorized power supply, partially transistorized receiver, 30 watts, 12 volt, fully narrow banded, complete with accessories...

\$98

less crystals and antenna

RCA CMCT60 2 Meters

Transistorized power supply, partially transistorized receiver, 60 watts, 12 volt, fully narrow banded, complete with accessories...

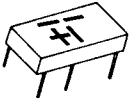
\$158

less crystals and antenna



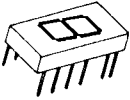
GREGORY ELECTRONICS CORP.

239 Rt. 46, Saddle Brook, N. J. 07662
Phone: (201) 489-9000



Uses Standard 7447 Decoder-driver. Seven Segment Readouts. All tested and guaranteed. Specs included. Fit standard 14 pin DIP socket. Full .335 inch high. Color, RED.

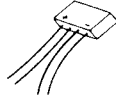
Less Decimal \$2.00 ppd.
With Decimal \$2.25 ppd.
With Colon \$2.50 ppd.



Same unit only contains numeral 1 and plus and minus sign. \$2.25 ppd.

GI Printed Circuit type bridge rectifiers.

200 v PIV @ 1.5 A
50¢ ea or 3 for \$1.25
400 v PIV @ 1.5 A
60¢ ea or 3 for \$1.75



LED Pilot Lites.
Full 3/16 inch Dia.
4 for \$1.00 ppd.



JUMBO Seven Segment Readouts. Full .770 inches high. RED. Uses 7447 Decoder-driver. Specs included. \$5.00 ppd.
With Decimal point. \$5.00 ppd.
Same unit only numeral 1 and plus & minus sign. \$5.00 ppd.



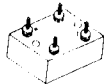
NEW NEW NEW
6 foot Coil-Cord with molded PL-55 plug. Very nice.
75¢ Each, 3 for \$2.00 ppd.

General Purpose Germanium Diodes.
Similar to 1N34a etc. 16 for \$1.00 ppd.
All Cathode banded. 100 for \$5.00 ppd.
Full leads. 1000 for \$40.00 ppd.

NEW

Transformer — American Made — Fully shielded. 115 V Primary. Sec. — 24-0-24 @ 1 amp with tap at 6.3 volt for pilot light.
Price — A low \$2.90 each ppd.

400 Volt PIV at 25 Amp. Bridge Rectifier.
\$4.00 ea. or 3 for \$10.00 ppd.



6.3 Volt 1 Amp Transformer. Fully Shielded
\$1.60 Each ppd.

NEW

JUST ARRIVED — Transformer, 115 VAC primary, 18 volt, 5 amp ccs or 7 amp intermittent duty secondary \$6.00 ea. ppd.

NEW NEW

TRANSFORMER. 115 volt primary, 12 volt 1/2 amp secondary.
\$1.50 ppd.



TOROIDS — YOUR CHOICE — 88 mhy or 44 mhy —
5 for \$2.50 ppd.

DIGITAL CLOCK on a single chip, national type 5314. Complete with specs and circuit
\$12.00 ea. ppd.

SEND STAMP FOR BARGAIN LIST
Pa. residents add 6% State sales tax
ALL ITEMS PPD. USA

m. weinschenker
K 3DPJ BOX 353 · IRWIN, PA. 15642

short circuits

capacitance meter

In the circuit for the capacitance meter on page 50, of the August, 1972, issue there should be a 2200-ohm resistor connected between the base of transistor Q1 and the -6 volt bus.

motorola dispatcher conversion

Inquiries and parts orders for this popular Motorola conversion should now be sent to the author at his new address: John Darjany, WB6HXU, 622 Pacific Avenue, Long Beach, California 90802.

vhf superregen receiver

In the July, 1973, issue, on page 23, the schematic for the vhf regenerative receiver should include a 0.01-μF capacitor between the wiper of the 5000-ohm gain control and the base terminal of the first TIS97 transistor.

continuous-phase audio-shift keyer

In the continuous-phase audio-shift keyer published in the October, 1973, issue the 2N5033 field-effect transistors used at Q1 and Q3 must be Fairchild's. It has been found that 2N5033s from other manufacturers have a different "on" resistance and are not usable in this application.

two-meter cavity filter

The dimensions for the two-stage, vhf cavity filter shown in fig. 3 on page 25 of the December, 1973, issue are incorrect. Use the following corrected dimensions when building this filter.

	frequency (MHz)			
	50	144	220	432
A	41.0"	17.0"	7.30"	5.00"
B	38.0"	15.0"	5.20"	4.80"
C	35.0"	12.9"	4.00"	3.80"
D	3.0"	3.0"	3.00"	3.00"
E	4.5"	1.5"	3.00"	3.00"
F	1.4"	0.375"	1.00"	0.75"
G	3.0"	2.1"	1.20"	1.00"
H	3.0"	1.063"	2.75"	2.75"
J	0.75"	0.75"	0.75"	1.00"
K	-----see text-----			

LIKE FM OR CW ?



*Then you'll love
Data Engineering's
new catalog*

Write for your free copy today!

TOUCH TONE PADS

More features than any other pad including built-in monitor speaker and latest Phase-Lock loop circuitry.

TTP-1 Standard pad for portable transceiver mounting.

TTP-2 Standard pad in attractive case for home or mobile use.

TTP-3 Mini-pad in attractive case for home or mobile use.

TTP-4 Mini-pad for portable transceiver mounting.

TTP-1, 2, 3 & 4, Sh. wt. 1 lb. \$44.50

TTP-1K, 2K, 3K & 4K, Sh. wt. 1 lb. \$34.50

CRICKET 1

A popularly priced IC keyer with more features for your dollar. Cricket 1 is a small size, solid state keyer designed for the beginner as well as the most advanced operator. It provides the user with fatigue-free sending and its clean, crisp CW allows for easy copying at all speeds. Turned on its side, the Cricket can be used as a straight key for manual keying.

CRICKET 1 Sh. Wt. 3 lbs. \$49.95

2-METER PREAMP

Specially made for both OLD and NEW receivers. The smallest and most powerful preamp available. Provides 20dB gain at 2.5 N.F. to bring in the weakest signals.

Sh. wt. 4 oz. \$9.50 kit
\$12.50 wired



Please include sufficient postage for shipping.

DATA ENGINEERING INC.



Ravenswood Industrial Park, Springfield, Va. 22151

5554 Port Royal Road • 703-321-7171

**TOP
QUALITY
!**

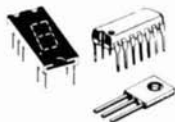


**NEW
LOW
PRICE**

JUST ARRIVED, ANOTHER SHIPMENT OF BRAND NEW KEYBOARDS. IF YOU MISSED OUT ON OUR LAST OFFERING OF THIS BEAUTIFUL, COMMERCIAL GRADE KEYBOARD, HERE'S YOUR CHANCE TO GET ONE AT THIS NEW LOWER PRICE. IDEAL FOR AUTOMATIC MORSE CODE KEYS, COMPUTER CONSOLES, AND VIDEO DATA TERMINALS. FROM A LEADING VIDEO TERMINAL MANUFACTURER, WELL MADE WITH THE LOOK AND FEEL OF AN EXPENSIVE ELECTRIC TYPEWRITER. SIXTY FIVE KEYS + SPACE BAR, ALL ALPHABET + 10 NUMERALS + 28 CONTROL KEYS + 1 LOCKING "SHIFT" KEY. DIODE MATRIX FOR ASCII IS EASILY CONVERTED TO USE AS MORSE OR TTY KEYS. ATTRACTIVE SLANTED TIER. TRI-COLOR KEY SCHEME. PREVIOUSLY SOLD FOR \$39.50, NOW - POSTPAID - ONLY \$34.95

**LOW PRICES
ON POPULAR COMPONENTS**

TYPE 8038 VCO FUNCTION GENERATOR. SUPERIOR TO THE POPULAR 566. SINE, SQUARE, TRIANGLE GENERATOR. USEABLE FROM .001 HZ TO OVER 1 MHZ. VOLTAGE CONTROL, 1000 to 1. CAN BE USED WITH SINGLE OR DUAL SUPPLY. VARIABLE DUTY CYCLE, SWEEPABLE, EXTERNAL DISTORTION CONTROL. PERFECT FOR USE IN SIGNAL GENERATORS, FM GENERATORS AND PHASE LOCKED LOOPS. W/FULL SPECS.....\$5.75

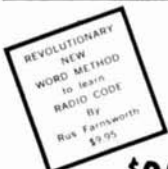


tri-tek, inc.

P.O. BOX 14206 DEPT H
PHOENIX, ARIZONA 85063

NEW AND SURPLUS ELECTRONIC COMPONENTS FOR THE PRO AND SERIOUS AMATEUR. AN ORDER OR 8c STAMP PUTS YOU ON OUR MAILING LIST. MINIMUM ORDER \$3.00 U.S., \$15.00 FOREIGN. ALL ORDERS POSTPAID. PLEASE ADD INSURANCE

LEARN RADIO CODE



THE EASY WAY!

- No Books To Read
- No Visual Gimmicks To Distract You
- Just Listen And Learn

Based on modern psychological techniques—This course will take you beyond 13 w.p.m. in **LESS THAN HALF THE TIME!** Available on magnetic tape \$9.95 — Cassette, \$10.95

\$9.95

Album contains three 12" LP's 2 1/2 hr. Instruction

EPSILON RECORDS

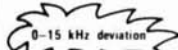
508 East Washington St., Arcola, Illinois 61910

NEW FOR 74

ECM 5A FM Modulation Meter

Only **\$85.00** less batteries and crystal

- Operates 30-500 Mhz
- Crystal controlled for fast and easy operation
- Peak reading
- Battery powered with AA pencils



Phone or write "Skip" W9HAK for complete information Dial 812-476-2121



Available by direct mail only. ORDER INFO: Send check or money order for \$85.00 plus \$1.25 for handling. Indiana residents add 4% sales tax. Crystals for 146.94 Mhz: \$3.95 ea. All other freqs: \$7.10

ECM

ECM Corporation
412 N. Weinbach Ave.
Evansville, Indiana 47711

• QRM QRN QRM

QRN

QRM

QRN



• QRM QRN QRM

WHY FIGHT QRM & QRN?

Are your CW contacts lost because of QRM or QRN? The NEW DE-101 family of Signal Discriminators is designed to fight QRM and QRN for you without rig modifications. Each discriminator unit consists of two 3 pole operational amplifier filters stagger tuned for a flat 100 hertz bandpass at 1,000 Hz. A buffer amplifier is included for driving earphones, or a 3 watt power amplifier for driving an 8 ohm speaker. No adjustments, factory tuned, plug in installation, one year warranty, and 15 day return privilege.

DE-101 For earphones only. 115 VAC \$29.95 + \$2 ship.
DE-101A For spkr & phones. 115 VAC \$39.95 + \$2 ship.
DE-101B For spkr & phones. 12 VDC \$29.95 + \$1 ship.
DE-101C For earphones only. 12 VDC \$19.95 + \$1 ship.
CB-1 Wired & tested DE-101C circuit board \$14.95 ppd.
CB-2 3 Watt Audio PWR AMP for 8 ohm spkr. 12 VDC Kit \$8.95 ppd. Wired & tested \$10.95 ppd.
Ala. residents add 5% sales tax.

DYNAMIC ELECTRONICS INC.
BOX 1131 DECATUR, AL. 35601



YAESU

YOUR ASSURANCE OF PERFORMANCE & QUALITY

Amateur Price Net
Subject to Change

FT-2 Auto

A High Performance AUTO SCAN
2 Meter Mobile or Fixed Station
Transceiver with Built-in AC Supply.

TRANSMITTER

RF Output:

10 watts (HI) or 1 watt (LOW) into 50-ohm load at 13.5 volts DC.

Frequency Stability:

± 0.001%

Crystal Multiplication:

8 times.

Modulation:

F3 (phase modulation).

Deviation:

Up to ±15 kHz (factory adjusted at ±7.5 kHz).

Audio Response:

+1, -3 dB of 6 dB/octave pre-emphasis characteristic from 300 to 2500 Hz.

Spurious Emissions:

60 dB below carrier minimum.

Tone Burst:

Nominally one second at 1800 Hz (adjustable between 1300 and 3000 Hz).

RECEIVER

Type:

Double conversion superheterodyne (crystal controlled).

Intermediate Frequencies:

10.7 MHz first IF; 455 kHz second IF.

Sensitivity:

0.3 µV for 20 dB S+N/N ratio.

Selectivity:

±15 kHz at 6 dB; ±25 kHz at 60 dB.

Audio Output:

2 watts at 10% distortion.



Price - \$379.00

Price Subject To Change
Without Notice

Frequency coverage 146-148 MHz, 8 channels, 3 simplex channels furnished — 146.76, 146.82, 146.94 MHz. Scan speed: 20/sec. Priority channel at 2 sec. intervals, even when locked on another channel. 4 ohm dynamic speaker, AC power supply built in. DC current receive .53 amps. Transmit .92 amps. Low power, 2.1 amps High power. Signal strength and relative output meter on front panel. Discriminator metering available at accessory plug. Size: 8 3/4 x 4 1/4 x 1 1/8". Weight: 9 lbs. All plugs and cables furnished.

ADIRONDACK RADIO SUPPLY	518-842-8350
185 West Main Street, Amsterdam, New York 12010	
AMATEUR ELECTRONIC SUPPLY	414-442-4200
4828 W. Fond du Lac Ave., Milwaukee, Wisc. 53216	
AMATEUR ELECTRONIC SUPPLY	305-894-3238
621 Commonwealth Avenue, Orlando, Florida 32803	
ELECTRONIC EXCHANGE CO.	508-834-9000
608 Papworth, Metairie, Louisiana 70005	
FRECK RADIO SUPPLY	704-254-9551
38 Biltmore Avenue, Asheville, North Carolina 28807	
GRAHAM ELECTRONICS	317-634-8486
133 S. Pennsylvania St., Indianapolis, Indiana 46204	
HAM RADIO CENTER	314-993-6060
8342 Olive Blvd., St. Louis, Missouri 63132	
HAM RADIO OUTLET	415-342-5757
999 Howard Avenue, Burlingame, California 94010	

HAMTRONICS	215-357-1400
4033 Brownsville Rd., Treviso, Pennsylvania 19047	
HARRISON RADIO	516-293-7990
20 Smith Street, Farmingdale, LI, New York 11735	
HENRY RADIO	213-272-0861
11240 W. Olympic Blvd., Los Angeles, Calif. 90064	
JUGE ELECTRONICS	817-926-5221
3850 S. Freeway, Fort Worth, Texas 76110	
QUEEN CITY ELECTRONICS, INC.	513-931-1577
1583 McMakin Ave., Cincinnati, Ohio 45231	
RACOM ELECTRONICS	206-255-6656
15051 S.E. 128th St., Renton, Washington 99055	
WEBSTER RADIO	209-224-5111
2602 Ashlan, Fresno, California 97326	
WILSON ELECTRONICS	702-451-5791
P.O. BOX 116, Pittman, Nevada 89044	



YAESU MUSEN USA INC.

7625 E. Rosecrans Avenue, Unit #29

Paramount, California 90723

Phone 213-633-4007

CALL BOOK 74

*When you want
an authoritative,
up to date directory
of licensed radio
amateurs*

It's the CALLBOOK

Over 210,000 QTH's
in the DX edition
DX CALLBOOK for 1974
\$8.95



Over 285,000 QTH's
in the U.S. edition
U.S. CALLBOOK for 1974
\$9.95

See your favorite dealer or Send today to
(Mail orders add 50¢ per CALLBOOK
for postage and handling)

WRITE FOR
FREE
BROCHURE

RADIO AMATEUR
callbook INC.
Dept. E. 925 Sherwood Drive
Lake Bluff, Ill. 60044

GATEWAY ELECTRONICS

8123 PAGE AVENUE
ST. LOUIS, MISSOURI 63130
314-427-6116

COLLINS MECHANICAL FILTER — Round case
— from R-390A — 2kHz, 4 kHz, 8 kHz or 16
kHz. 445 kHz center freq. \$15.00
VACUUM VAR. COND. — JENNINGS UXC 500
— 500 mmf @ 15 KV \$35.00
TEKTRONIX 527 WAVEFORM MONITOR — Ex.
Cond. — less case \$295.00
GEL-CELL RECHARGEABLE BATTERY — 6 volt-
1 Amp 1 1/2" x 2 x 2 \$3.50
0.1" PUNCHED BOARD — Standard spacing
for IC's
Phenolic — 4.5 x 5.125 - \$1.49, 4.5 x 17 - \$3.19,
6 x 17 - \$4.19
Epoxy — 4.5 x 6.5 - \$1.69, 4.5 x 8.5 - \$2.10
4.5 x 17 - \$3.83
Push in Terminals for above boards — Package
of 100 terminals — \$1.80
8 x 8 7/8" SINGLE SIDED PHENOLIC PC BOARD
50¢
TRANSISTORS — 2N2219 NPN Sil - 50¢, 2N2222
NPN Sil - 50¢, 2N2905 PNP - 50¢, 2N2646 Uni-
junct - 70¢, 2N3394 NPN Sil - 20¢, 2N3569 NPN
Sil - 45¢, 2N3567 NPN Sil - 40¢, 2N3905 PNP
Sil - 30¢, 2N4072 NPN Sil RF - 75¢, 2N4852
Uni-junct - 70¢, MJE1093 Pwr Darlington - \$2.25

\$5 Minimum Order.
Visit us when in St. Louis.
Please include sufficient postage.

the latest ...

- FROM
- FCC
 - ARRL
 - INDUSTRY
 - PROPAGATION
 - CONTESTS
 - DX



ISSUE*

AFTER ISSUE
AFTER ISSUE!

*24 issues
per year
(or more when things
get busy!)

A four page instant
newsletter in the mail
when it happens. not
weeks later

1 year \$12.00 US, Canada & Mexico — \$15.00 Worldwide

hr REPORT
GREENVILLE, NH 03048

CW or RTTY, whichever way you go,
**HAL HAS TOP QUALITY
 YOU CAN AFFORD!**



TOP QUALITY RTTY... WITH THE HAL MAINLINE ST-6 TU. Only 7 HAL circuit boards (drilled G10 glass) for all features, plug-in IC sockets, and custom Thordarson transformer for both supplies, 115/230 V, 50-60 Hz. Kit without cabinet, only \$135.00; screened, punched cabinet with pre-drilled connector rails, \$35.00; boards and complete manual, \$19.50; wired and tested units, only \$280.00 (with AK-1, \$320.00).*



TOP QUALITY... WITH THE HAL 1550 ELECTRONIC KEYSER. Designed for easy operation; perfectly timed CW with optional automatic ID for sending call letters, great for DX and RTTY; TTL circuitry, transistor switching for grid block, cathode keying. Handsome rugged crackle cabinet with brushed aluminum panel. With ID, only \$90.00; without ID, \$65.00.*

OTHER HAL PRODUCTS INCLUDE:

- ID-1 Repeater Identifier (wired circuit board) . . . \$ 75.00*
- ID-1 (completely assembled in 1 1/2" rack cabinet) . . . \$115.00*
- HAL ARRL FM Transmitter Kit . . . \$ 50.00*
- W3FFG SSTV Converter Kit . . . \$ 55.00*
- Mainline ST-5 TU Kit . . . \$ 50.00*
- Mainline AK-1 AFSK Kit . . . \$ 27.50*



TOP QUALITY... WITH THE HAL MKB-1 MORSE KEYBOARD.

As easy as typing a letter—you get automatic CW with variable speed and weight, internal audio oscillator with volume and tone controls, internal speaker, and audio output jack. Smooth operation; completely solid-state, TTL circuitry using G10 glass boards, regulated power supplies, and high voltage transistor switch. Optional automatic ID available. Assembled MKB-1, \$275.00. In kit form, \$175.00.*



NEW FROM HAL—TOP QUALITY RVD-1002 RTTY VIDEO DISPLAY UNIT. Revolutionary approach to amateur RTTY... provides visual display of received RTTY signal from any TU, at four speeds (60, 66, 75, and 100 WPM), using a TV receiver modified for video monitoring. Panasonic solid-state TV receiver/monitor, or monitor only, available. RVD-1002, \$525.00; Panasonic TV receiver/monitor, \$160.00; monitor only, \$140.00.*

TOP QUALITY... WITH THE HAL RKB-1 TTY KEYBOARD. Gives you typewriter-easy operation with automatic letter/number shift at four speeds (60, 66, 75, and 100 WPM). Use with RVD-1002 video display system, or insert in loop of any teleprinter, for fast and easy RTTY. Completely solid state, TTL circuitry using G10 glass boards, regulated power supplies, and transistor loop switch. RKB-1 assembled, only \$275.00.*



HAL provides a complete line of components, semi-conductors, and IC's to fill practically any construction need. Send 24¢ to cover postage for catalog with info and photos on all HAL products. Above prices do not include shipping costs. Please add 75¢ on parts orders, \$2.00 on larger kits. Shipping via UPS whenever possible; therefore, street address required.

HAL COMMUNICATIONS CORP.

Box 365 L, Urbana, Ill. 61801 • 217-359-7373





VHF POWER AMPLIFIERS						
Frequency (MHz)	Model	Input Range (w)	Nominal P _o (w)	Nominal Amps	Price	
144	PA2-12B	1 - 4	12	1.8	\$ 44.95	}
	PA10-40B	5 - 15	40	5.0	79.95	
	PA10-70B	5 - 15	70	7.0	129.95	
	PA2-70B	1 - 4	70	8.0	149.95	
	PA10-140B	5 - 15	140	18.0	179.95	
	PA30-140B	15 - 40	140	15.0	169.95	
220	PA2-140B	1 - 4	140	20.0	199.95	}
	PA10-60F	5 - 15	60	7.0	139.95	
440	PA5-25C	4 - 8	25	5.0	129.95	}
	PA2-30C	1 - 4	30	6.0	149.95	

*Availability to be announced

Calif. residents add 5% sales tax, add \$2 per unit for ppd. USA prices subject to change without notice

SEND FOR FULL CATALOG ON VHF AMPLIFIERS AND HF-VHF-UHF ANTENNAS.

DEALER INQUIRIES INVITED

- AK-1 BOARD ONLY \$ 3.25
- AK-1 KIT OF ELECTRONIC PARTS \$ 20.00
- ST-5 BOARDS ONLY \$ 5.25
- ST-5 KIT OF ELECTRONIC PARTS \$ 47.50
- ST-5A BOARDS ONLY \$ 5.25
- ST-5A KIT OF ELECTRONIC PARTS \$ 54.00
- ST-6 BOARDS ONLY (These are the 8 original by W6FFC) \$ 18.00
- ST-6 KIT OF ELECTRONIC PARTS \$128.50
- MOD. KIT FOR UPDATING THE ST-5 TO THE ST5A \$ 9.00
- PEMCO 250 EIGHT DIGIT COUNTER WITH BUILT-IN PRE-SCALER AND POWER SUPPLY SEMI KIT \$165.00
- PEMCO MODEL 50A FREQUENCY COUNTER SEMI-KIT \$125.00

These are fully assembled and tested boards only, you add your own cabinet, etc. Write for details.

You must supply the cabinet, A.C. cord, meter, switches, etc. on all kits except where noted otherwise. (All prices are postage paid (we pay shipping).

We will do most any printed circuit board for individuals or prototypes. If required we will also do the layout of the boards. All our boards are G-10 glass-epoxy solder plated and come drilled only. At present time we can do only single sided. All component parts used in our kits are new manufacturers stock. We Do Not Use Any Used or Surplus Parts. All inquiries are answered promptly.

PEMCO ELECTRONICS MANUFACTURING
422 18th St., N.E., Salem, Ore. 97301, (503) 585-1262

KITS

Sub-Audible Tone Decoder \$9.95
Wired \$14.95

Encoder \$8.95
Wired \$13.95

- Compatible with all sub-audible tone systems such as Private Line, Channel Guard, Quiet Channel, etc.
- Glass epoxy PCB's & Silicon xstrs throughout
- Any reeds, except special dual coil types may be used: Motorola, G.E., RCA, S.D.L., Bramco, etc.
- All are powered by 12 vdc
- Use on any tone frequency 67 Hz to 250 Hz
- Small size 1.5 x 4 x .75"
- All parts included except reed and reed socket

Postpaid — Calif. residents add 5% sales tax
COMMUNICATIONS SPECIALISTS
P. O. Box 153, Brea, CA 92621

A 5

Amateur Television Magazine

Be seen as well as heard

SUBSCRIPTIONS ONLY
\$2.50 A YEAR

P.O. Box 6512, Phila., Penna. 19138

STAR-TRONICS

INDUSTRIAL AND GOVERNMENT ELECTRONIC SURPLUS

PARTS & PIECES FOR SCHOOLS, SHOPS, HAMS & HOBBYISTS

SEND FOR OUR LATEST ALL DIFFERENT MONTHLY PICTURE CATALOG. NOW!

Box 17127, Portland, Ore. 97217

LOW PRICES ON POPULAR COMPONENTS

IF FILTERS

- Monolithic crystal filters at 10.7 and 16.9 MHz
- Ceramic filters at 455 kHz

SEMICONDUCTORS

- VHF power transistors by CTC-Varian
- J and MOS FETS
- Linear ICs — AM/FM IF, Audio PA
- Bipolar — RF and AF popular types

INDUCTORS

- Molded chokes
- Coil forms — with adjustable cores

CAPACITORS

- Popular variable types

QUALITY COMPONENTS

- No seconds or surplus
- Name brands — fully guaranteed
- Spec sheets on request

GREAT PRICES

- Price breaks at low quantities
- Prices below large mail-order houses

WRITE FOR CATALOG 173

AMTECH

P. O. BOX 624, MARION, IOWA 52302
(319) 377-7927 or (319) 377-2638

TOMORROW'S RIG ...available TODAY!

*The exciting all new
INOUE IC-230!*



TAKE A SLICE OUT OF THE FUTURE . . .

. . . and put 67+ CHANNELS* of 2-meter FM pleasure in the palms of your hands . . . with the SUPER COMPACT (2.3" x 6.1" x 9.7") IC-230.

Feature-wise . . . the IC-230 is *fully synthesized* (with the new exclusive "Phase Lock Loop System") . . . *all modular construction* (servicing is a snap—in and out) . . . a receiver that is *very sensitive and selective* as to what it hears (better than 0.4UV / 20db), with unique Inoue helical filters to eliminate intermod . . . plus a super E filter mosfet front end, making copy a pleasure.

* And not a crystal to buy with the exclusive "Phase Lock Loop System".
(That's close to \$650.00 worth of xtals!)

— GRAB HOLD OF THE IC-230 AT YOUR LOCAL DEALER TODAY —

Distributed by:



ICOM

— Dealerships Available —

ICOM WEST, INC.
Suite 232 — Bldg. 11
300 - 120th Ave. N.E.
Bellevue, Wash. 98005
(206) 454-2470

**ADIRONDACK
RADIO SUPPLY**
185 West Main Street
Amsterdam, N.Y. 12010

ICOM EAST
Div ACS, Inc.
Box 331
Richardson, Tex. 75080
(214) 235-0479

SB36 | SSB | TRANS CW | RECEIVER

an experience in relaxed operating enjoyment

- Full coverage, SSB/CW, 80-40-20-15-10 meter bands.
- 500W p.e.p. power input.
- 6-digit frequency counter reads to 100 Hertz.
- Selectable USB/LSB/CW.
- Receiver Incremental Tuning.
- Double conversion receiver with fractional uV sensitivity.
- Panel multi-meter: "S" units, plate MA, RF out, ALC.
- 51 transistors (6-MOSFETS), 32 diodes, 6 vacuum tubes.
- 115/230VAC supply, speaker, in matching assembly cabinet.

WRITE FOR COMPLETE BROCHURE.



SB-36—personalized station and—with half-a-thousand watts p.e.p. input, a table-top powerhouse. But much more! Picture the precision, 6-digit counter that reads out your frequency as fast as you can spin the free-turning, counter-weighted tuning knob. And see how RIT (Receiver Incremental Tuning) obsoletes older, zero-beat-only transceiver operation—prevents leap-frogging. Push the RIT button—zero-in received sigs $\pm 7\text{kHz}$ —without effecting transmit frequency! Also, change sidebands without beat note shift or retuning. It takes two 9MHz crystal lattice filters to do this job. SB-36 has 'em.



LINEAR SYSTEMS, INC.
220 Airport Blvd., Watsonville, CA 95076

*Columbia Pays Top \$\$\$\$!
We need these today – now!*

- SP-600JX Hammerlund Rcvrs
- 618T Collins Transceivers

P.S. We're also hungry for: Bendix, Collins, Tektronix, H-P, etc. lab equipment; late model military elec. for ground, sea, air; other good gear. We pay freight! Airmail cond. & \$\$ — wanted today — now! We're desperate!

COLUMBIA ELECTRONIC SALES, INC.

Box 9266-C, No. Hollywood, CA. 91609
Phone: (213) 764-9030

PRINTED CIRCUIT BOARDS

for any amateur project in any
amateur periodical.

Published with artwork

Get your homebrew projects off to
a professional start

Write for Complete Details and Prices

D. L. "Mac" McClaren, W8URX

Printed Circuit Service for the Amateur
19721 Maplewood Ave. Cleveland, Ohio 44135
216-267-3263



EAST COAST SERVICE CENTER

We also service all other popular makes.

Complete professionally staffed laboratory fully equipped for all aspects of maintenance and service. Graduate Engineer on duty. Custom Design services available.

PROFESSIONAL ELECTRONICS CO., INC.
1710 JOAN AVE. EUDWOOD BRANCH
BALTIMORE, MD. 21204
301-661-2123

SPACE SAVER TOWERS & MASTS

CZ series towers, cranks up, installs without guy wires. New lacing design creates greater strength. Mini and Magna rotating masts . . . high strength galvanized tubing, self supporting crank-up.

For complete details and prices please check your local dealer or write

Certified Welders L.A. City License #634

TRISTAO TOWER CO.
P.O. Box 115, Hanford, California 93230

for the EXPERIMENTER!

INTERNATIONAL EX CRYSTAL & EX KITS
 OSCILLATOR • RF MIXER • RF AMPLIFIER • POWER AMPLIFIER



1. MXX-1 TRANSISTOR RF MIXER

A single tuned circuit intended for signal conversion in the 3 to 170 MHz range. Harmonics of the OX oscillator are used for injection in the 60 to 170 MHz range. Lo Kit 3 to 20 MHz, Hi Kit 20 to 170 MHz (Specify when ordering).....**\$3.50**



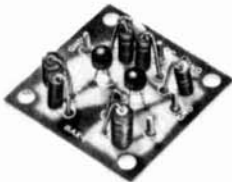
2. SAX-1 TRANSISTOR RF AMP

A small signal amplifier to drive MXX-1 mixer. Single tuned input and link output. Lo Kit 3 to 20 MHz, Hi Kit 20 to 170 MHz (Specify when ordering).....**\$3.50**



3. PAX-1 TRANSISTOR RF POWER AMP

A single tuned output amplifier designed to follow the OX oscillator. Outputs up to 200 mw, depending on the frequency and voltage. Amplifier can be amplitude modulated. Frequency 3,000 to 30,000 KHz.....**\$3.75**



4. BAX-1 BROADBAND AMP

General purpose unit which may be used as a tuned or untuned amplifier in RF and audio applications 20 Hz to 150 MHz. Provides 6 to 30 db gain. Ideal for SWL, Experimenter or Amateur**\$3.75**



5. OX OSCILLATOR

Crystal controlled transistor type. Lo Kit 3,000 to 19,999 KHz, Hi Kit 20,000 to 60,000 KHz. (Specify when ordering).....**\$2.95**



6. TYPE EX CRYSTAL

Available from 3,000 to 60,000 KHz. Supplied only in HC 6/U holder. Calibration is $\pm .02\%$ when operated in International OX circuit or its equivalent. (Specify frequency)**\$3.95**

for the COMMERCIAL user...

INTERNATIONAL PRECISION RADIO CRYSTALS

International Crystals are available from 70 KHz to 160 MHz in a wide variety of holders. Crystals for use in military equipment can be supplied to meet specifications MIL-C-3098E.

CRYSTAL TYPES: (GP) for "General Purpose" applications
 (CS) for "Commercial Standard"
 (HA) for "High Accuracy" close temperature tolerance requirements.



write for
CATALOG



CRYSTAL MFG. CO., INC.
 10 NO. LEE • OKLA. CITY, OKLA. 73102

Hi Hobby Industry

CALL: Tues. / Sat. - Noon / 5PM
 Al McMillan W0JJK
 (712) 323-0142
 WRITE: HOBBY INDUSTRY
 Box 864-H
 Council Bluffs, Iowa - 51501

"SOUND-OFF" with the SHURE 444 mike at \$29.95. The best dynamic available for the ham. Tailored for SSB & lots of output (-53db to >100K) to give big audio "punch". PTT & VOX switching. 3Lb.



COAX CABLE WITH PLUGS
 50ft. RG58/U & PL259s each end. 3Lb. \$4.49

Add \$1 ea. for packing and shipping.
OR, order BOTH & include \$34.95 payment with orders for pre-paid shipment USA.

- PCB KITS -

RTTY SPEED CONVERTER/Drilled PCB 5 & 11 VDC	\$40.00
DRILLED PCB ONLY	\$ 6.50
RTTY AFSK Gen. All Shifts & CW I.C. 9 VDC @ 2ma	\$7.25
100 kHz XTAL CALIBRATOR Less Xtal 9 VDC @ 2ma	\$5.25
POWER SUPPLY - 28 VDC @ 650 ma output	\$9.85
PREAMP MICROPHONE 26 dB Gain 9 VDC @ 1ma	\$3.85
LIMITER PREAMP For High Z Mike 9 VDC @ 1ma	\$5.30
PRODUCT DETECTOR For Your Receiver 9 VDC @ 1ma	\$3.95
"S" METER KIT Less 1ma Meter	6.3VAC \$5.25
SWR METER, Stripline, Less 200 μ a Meter	\$3.25
WWW CONVERTER 3.5-4.0 MHz Output 9 VDC @ 5ma	\$5.75
Requires 6-6.5MHz Crystal	
6 METER CONVERTER FET Front End 9 VDC @ 5ma	\$6.50
7-11 MHz Output, Less 43 MHz Xtal	
CW KEYING MONITOR, RF Keyed, Less Spkr. 9 VDC @ 9ma	\$5.20
POWER SUPPLY - 9 VDC @ 50ma Output 115VAC	\$5.35
6 METER CASCODE PREAMP 80 VDC @ 4.5ma	\$5.45
Wired & Tested Less 2 ea 6CW4 Nuvistors	
DRILLS, #54, 56, 58 or 60	(each) \$1.50
Finest Quality for PCB's, Made in USA Three For	\$1.25

EXCEPT AS NOTED ABOVE, ALL KITS ARE NEW, 100% SOLID STATE, AND COME COMPLETE WITH AN UNDRILLED G-10 PCB (PRINTED CIRCUIT BOARD) AND ALL PCB MOUNTED COMPONENTS. KITS ARE LESS POWER SUPPLIES, CHASSIS, AND ENCLOSURE HARDWARE. SEND SELF-ADDRESSED, STAMPED ENVELOPE FOR COMPLETE DATA SHEET AND SCHEMATIC.

SATISFACTION GUARANTEED. RETURN IN 30 DAYS FOR REFUND. ALL KITS POSTPAID. INCLUDE 25¢ HANDLING CHARGE. WASHINGTON RESIDENTS ADD 5.3% SALES TAX.

Martex Corporation

519 S. AUSTIN, SEATTLE, WASH. 98108

SUIT CASE DIPOLES

- #16 stranded copper wire
- Insulated for cleaner, easy handling
- Pretuned and tested guaranteed resonance
- Available 80 thru 10 meters amateur radio bands
- Clips included for portable use allowing same coax to be used for different antennas (small coax only)

CI10 - \$6.95 CI15 - \$7.95 CI20 - \$9.95
 CI40 - \$12.95 CI80 - \$17.95

RG-58/U & RG-59/U available at \$12.95 per 100 feet.
 Information available or order direct

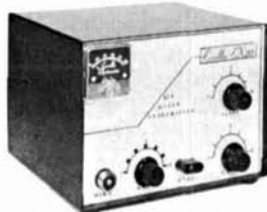
CATRONICS INTERNATIONAL

P. O. BOX 132 • MIAMI, FLORIDA 33156

DIGITAL:THEORY,DESIGN,
 CONSTRUCTION

LOGIC NEWSLETTER[®]

SAMPLE COPY \$1.00
 LOGIC NEWSLETTER
 POB 252
 WALDWICK,N.J. 07463



8MC. XTALS-8333-9000.

Silk Screened Panel.

18 Watts Output.

SIX METER TRANSMITTER

- for
- MOBILE
 - FIXED STATION
 - EMERGENCY
 - AVIATION

Price **4995**

Net to Amateurs
 Complete with Tubes
 Power Supply \$9.95

TUBE COMPLIMENT
 6U8 Oscillator Multiplier
 12AX7 Speech Amplifier
 2E26 Final Amplifier
 6BQ5 Modulator

ERL



EXCELTRONICS RESEARCH LABS
 MANUFACTURERS OF ELECTRONIC DEVICES

224-15 Linden Blvd. Cambria Heights, N. Y. 11411

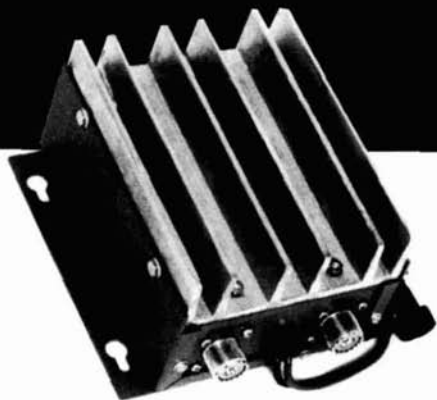
2 GETS YOU 40

WITH The NEW

DYCOMM SUPER E 40 WATT KIT

2M FM AMPLIFIER

ONLY \$49.95



Super Brick

FEATURES

- Operates with ANY .5-3.5W Rig
- Reverse Voltage Protected
- Load VSWR Proof
- Dashboard control available
- Fully automatic operation on command
- 5 MHz Bandwidth, 140-150 MHz
- Harmonics: At least 40 dB down
- Rx insertion loss less than .5 dB
- 80 dB Spurious Outputs



We use a 2N6084 final Transistor (each one rated 40 W Infinite VSWR) featuring EMITTER BALLASTED construction and of first Quality, so you can't burn them out in tuning or under any load mis-match; each Transistor has been individually Hand tested at DYCOMM before shipment.

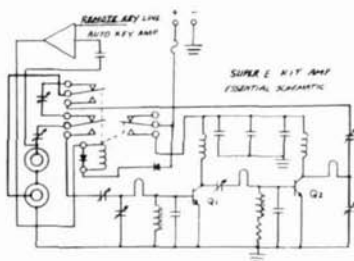
Typical assembly time is 5 hours. Kit is complete with full assembly procedure, including lay-out Photos, and Manual.

Tune-up and alignment is easy and straight forward using a watt-meter, dummy load and VOM.

Kit includes: 6' control wire, 6' power cables (fused), 4' RG174 to make interconnect cable, 2 PL 259 connectors,

SPECIFICATIONS:

Frequency range: 140-150 MHz. Power output: 40 W MAX for MAX input of 3.5 W. Input/output Z: 50 ohms. Input VSWR 1:3:1 Max. Load VSWR: Infinite. Power required: 11-15 VDC @ 6 to 7A. Weight: 2 Lbs. Dimensions: 3" x 5" x 6". Operating modes: CW/FM.



Prices: KIT \$49.95; Wired and Tested \$99.95. Residents of Florida add 4% sales tax, shipping (UPS where possible) included. For Airmail add \$2.00. Foreign-add postage extra.

All parts are guaranteed and if a defective part should be found it will be replaced free within 30 days of shipment. Quantities Limited. First come — First served: this offer ends May 10, 1974.

Send check or money order to

DYCOMM 948 Ave. E., P. O. Box 10116, Riviera Beach, Florida, 33404. (305-844-1323)

NYE VIKING PHONE PATCH

Be a GOOD GUY! Complete a phone patch for a fellow ham. (First, install a Nye Viking phone patch.) It's great for your ego, and you *really can* provide a useful service!

The Nye Viking Hybrid phone patch has separate controls for receive and transmit audio. The adjustable null control allows normal VOX operation with most connections.

Installation is EASY! Mount it vertically, or install it in any associated enclosure using the removable front panel as a face plate. Measures 2" x 6" x 2-1/2" deep (plus mounting feet and knobs.)

From an original design by E. F. Johnson, manufactured by the Wm. M. Nye Company.

Suggested list price, \$34.50 at leading dealers throughout the U.S.A. and Europe.

WM. M. NYE COMPANY, INC.

1519 -130th N.E., Bellevue, Washington 98005



SUPER CRYSTAL THE NEW DELUXE DIGITAL SYNTHESIZER!! FROM \mathbb{R}_P



MFA-22 DUAL VERSION

Also Available MFA-2 SINGLE VERSION

- Transmit and Receive Operation: All units have both Simplex and Repeater Modes
- Accurate Frequency Control: .0005% accuracy
- Stable Low Drift Outputs: 20 Hz per degree C typical
- Full 2 Meter Band Coverage: 144.00 to 147.99 MHz. in 10KC steps
- Fast Acting Circuit: 0.15 second typical settling time
- Low Impedance (50 ohm) Outputs: Allow long cable runs for mobiles
- Low Spurious Output Level: similar to crystal output

SEND FOR
FREE DETAILS

\mathbb{R}_P Electronics

Prices MFA-2 \$210.00 BOX 1201H
MFA-22 \$275.00 CHAMPAIGN, ILL.
Shipping \$3.00 extra 61820

USED TEST EQUIPMENT

All checked and operating unless otherwise noted. FOB Monroe. Money back (less shipping) if not satisfied.

Boonton 190A Q-mtr 20-260 MHz Q5-1200	375
Boonton 202B Sig Gen AM-FM 54-216 MHz	325
Boonton 202E - Later version of above	585
Boonton 260A Q-mtr .05-50 MHz Q10-625	375
HP100D-Freq. stand. w/scope-Acc. 1ppm	85
HP185A Scope w/186B amp sampling 1gHz	335
HP330C Dist anal 20 Hz-20kHz .1%	225
HP524D-Freq Counter. Basic unit 10Hz-10MHz	185
HP540B Trans osc. for 524 to 12.4gHz	185
HP608D (TS510A/U) sig. gen. 10-420 MHz	450
Nems Clark 1671 FM rcvr 175-260MHz	125
Polarad MSG34-Sig. Gen. 4.2-11gHz calib. attn.	
AM-FM-Pulse mod.	495
Polarad R uwave rcvr .4-84gHz with plug-in AM, FM, CW, Pulse	225
Polarad TSA Spec. Anal .01-44gHz with plug-in	
— less plug-in	125
HP803A Imp Bridge 50-500MHz, 2-200 ohm	195
Solotron 200A SCR tester-checks anode, gate volts current, leakage and holding	165
Stoddart NM10A (URM-6) RF intens mtr 10-250 kHz, complete with acc.	630
Stoddart NM20A (PRM-1) RF intens mtr .15-25MHz, complete with acc.	655
Stoddart NM52A-RFI mtr. .375-1gHz, w/ acc.	985
Tek RM 15-DC-15MHz GP scope	265
Tek 181 Time mark generator	95
Tek 190A Const. Ampl. Sig. Gen .35-50MHz	125
Tek 531 DC-15MHz scope-takes letter plug-in	175
Tek 565 dual beam 10 MHz scope, less plug-ins	625
SG24/TRM3 Sweep Gen. 15-400 MHz, CW, AM, FM Xtal markers, scope-Dev. to 20%	245
TS-403A-Sig. Gen. (HP616) 1.8-4gHz	385
URM 7 RI-FI mtr (sim. NF-105) 20-400MHz	750

(Send SASE for complete list)

GRAY Electronics
P. O. Box 941, Monroe, MI 48161
Specializing in used test equipment

Lowest Prices Largest Selection TTL IC's

Brand New	Type	Part No.	Price	Order by type number*	Spec sheets on request ONLY
* Factory Marked	* DIP [†] Packages	SN7437	.50	SN7472	.50
		SN7438	.55	SN7473	.55
		SN7439	.55	SN7474	.55
		SN7402	.30	SN7440	.30
		SN7403	.30	SN7441	1.40
		SN7404	.35	SN7442	1.50
		SN7405	.35	SN7443	1.50
		SN7406	.45	SN7444	1.50
		SN7407	.55	SN7445	1.50
		SN7408	.35	SN7446	1.65
		SN7410	.30	SN7447	1.45
		SN7411	.35	SN7448	1.50
		SN7413	.35	SN7449	1.50
		SN7415	.55	SN7450	.30
		SN7416	.55	SN7451	.30
		SN7417	.55	SN7452	.30
		SN7420	.30	SN7453	.30
		SN7421	.55	SN7454	.30
		SN7422	.35	SN7455	.30
		SN7425	.50	SN7460	.30
SN7426	.36	SN7461	.35		
SN7430	.30	SN7462	.35		
SN7432	.35	SN7463	.35		
		SN7464	.35		
		SN7465	.50		
		SN7466	.50		
		SN7467	.50		
		SN7468	.50		
		SN7469	.50		
		SN7470	.50		
		SN7471	.55		
		SN7472	.50		
		SN7473	.55		
		SN7474	.55		
		SN7475	1.00		
		SN7476	1.00		
		SN7477	.95		
		SN7478	.65		
		SN7479	1.25		
		SN7480	1.25		
		SN7481	1.25		
		SN7482	.95		
		SN7483	1.25		
		SN7484	1.41		
		SN7485	1.41		
		SN7486	.55		
		SN7487	4.50		
		SN7488	4.50		
		SN7489	1.25		
		SN7490	1.35		
		SN7491	1.35		
		SN7492	1.35		
		SN7493	1.35		
		SN7494	1.35		
		SN7495	1.35		
		SN7496	1.35		
		SN7497	1.35		
		SN7498	1.35		
		SN7499	1.35		
		SN7500	1.35		
		SN7501	1.35		
		SN7502	1.35		
		SN7503	1.35		
		SN7504	1.35		
		SN7505	1.35		
		SN7506	1.35		
		SN7507	1.35		
		SN7508	1.35		
		SN7509	1.35		
		SN7510	1.35		
		SN7511	1.35		
		SN7512	1.35		
		SN7513	1.35		
		SN7514	1.35		
		SN7515	1.35		
		SN7516	1.35		
		SN7517	1.35		
		SN7518	1.35		
		SN7519	1.35		
		SN7520	1.35		
		SN7521	1.35		
		SN7522	1.35		
		SN7523	1.35		
		SN7524	1.35		
		SN7525	1.35		
		SN7526	1.35		
		SN7527	1.35		
		SN7528	1.35		
		SN7529	1.35		
		SN7530	1.35		
		SN7531	1.35		
		SN7532	1.35		
		SN7533	1.35		
		SN7534	1.35		
		SN7535	1.35		
		SN7536	1.35		
		SN7537	1.35		
		SN7538	1.35		
		SN7539	1.35		
		SN7540	1.35		
		SN7541	1.35		
		SN7542	1.35		
		SN7543	1.35		
		SN7544	1.35		
		SN7545	1.35		
		SN7546	1.35		
		SN7547	1.35		
		SN7548	1.35		
		SN7549	1.35		
		SN7550	1.35		
		SN7551	1.35		
		SN7552	1.35		
		SN7553	1.35		
		SN7554	1.35		
		SN7555	1.35		
		SN7556	1.35		
		SN7557	1.35		
		SN7558	1.35		
		SN7559	1.35		
		SN7560	1.35		
		SN7561	1.35		
		SN7562	1.35		
		SN7563	1.35		
		SN7564	1.35		
		SN7565	1.35		
		SN7566	1.35		
		SN7567	1.35		
		SN7568	1.35		
		SN7569	1.35		
		SN7570	1.35		
		SN7571	1.35		
		SN7572	1.35		
		SN7573	1.35		
		SN7574	1.35		
		SN7575	1.35		
		SN7576	1.35		
		SN7577	1.35		
		SN7578	1.35		
		SN7579	1.35		
		SN7580	1.35		
		SN7581	1.35		
		SN7582	1.35		
		SN7583	1.35		
		SN7584	1.35		
		SN7585	1.35		
		SN7586	1.35		
		SN7587	1.35		
		SN7588	1.35		
		SN7589	1.35		
		SN7590	1.35		
		SN7591	1.35		
		SN7592	1.35		
		SN7593	1.35		
		SN7594	1.35		
		SN7595	1.35		
		SN7596	1.35		
		SN7597	1.35		
		SN7598	1.35		
		SN7599	1.35		
		SN7600	1.35		

* Factory Marked * Money Back Guarantee Buy 100 — Take 20%

HIGH POWER TRANSISTOR WITH HEAT SINK

Removed from new equipment! Includes popular 2N174 "doorknob" transistor TO-18, germanium, 50W, 150 watts, VCB, 10A, 15 amps, 10 life. For ignition, high power transmitters, etc. Mounted on heat sink 5 x 2 1/2 x 1 1/2".

\$1.49
3 for \$3

"MEMORY LANE"

Buy Any 3 Take 10%

- 1101 256 Bit RAM MOS \$2.50
- 1104 64 Bit RAM MOS 7.50
- 2516 Character Gen. ROM 12.50
- 7489 64 Bit RAM TTL 3.25
- 8223 Programmable ROM 6.50
- MMS260 2048 Bit RAM 7.95
- MMS262 1024 Bit RAM 9.95

Op Amps

Buy Any 3 Take 10% Discount!

- 531 Hi slow rate op-amp (TO-5) \$2.50
 - 532 Micro power 741 (TO-5) 2.50
 - 533 Micro power 709 (TO-5) 2.50
 - 536 FET input op amp (TO-5) 2.95
 - 558 5 Times faster than 741C 1.00
 - 573 Dual 741 (TO-5) 1.00
 - 560 Phase lock loops (DIP) 2.95
 - 561 Phase lock loops (DIP) 2.95
 - 562 Phase lock loops (DIP) 2.95
 - 565 Phase lock loops (A) 2.95
 - 566 Functional amp (TO-5) 4.7
 - 567 Tone decoder (A) 2.95
 - 702C Hi-gain, DC amp (TO-5) 2.95
 - 703C RF, amp, 14 ckts (TO-5) .69
 - 704 TV sound IF system 1.50
 - 709C Operational amp (A) 1.00
 - 709CV Op amp (mini DIP) .47
 - 710C Differential amp (A) .47
 - 711C Dual diff. comp (A) .47
 - 723C Voltage regulator (A) .75
 - 732 Bit Video Amp 1.75
 - 741C Frequency compensator 709 (A) .49
 - 741CV Freq. comp 709 (Mini DIP) .49
 - 747C Dual 741C (A) .95
 - 748C Freq. adj. 741C (A) .49
 - 753 Gain Block 1.75
 - 709-709C Dual 709C (DIP) 1.00
 - 739-739 Dual stereo preamp 1.98
 - 741-741 Dual 741C (A) 1.00
 - PA265 5-Watt voltage regulator 1.95
 - ULN2300M Op amp with SCR 1.50
 - CA3065 Video Audio system 1.05
 - 75451 Dual peripheral driver 2.88
 - 7549 Quad driver for LED readouts 1.65
 - 75492 Hex driver w/c. out 250 mA 1.85
- For LED readouts
CA TO-5 or DIP dual in line pak

KRONOS WITH "TIME BASE"

CHOOSE YOUR READOUT

8-digits Cabinet is 6" x 5 1/2" x 6"

NEW FOR 1974!

with TIME BASE \$64.95

MAN-1 LED readouts are "all LEDs" but the Litronix 709 and Opco SLA-1, like the MAN-1, are of the reflective bar segment technique, the 704 is the reflective bar version of the MAN-1. The Litronix tube is a 7-segment device as others.

- Now two clocks in one!
- For 12VDC ± 110VAC!
- Now adaptable to boats, planes & cars too!
- One price for any LED!
- The only clock of its kind in USA today!
- Compare and see!
- 12 or 24-hr clock

CRYSTAL TIME BASE FOR ANY KRONOS

\$19.95

Includes precision crystal, time-base IC, pc board & accessories with info.

LITRONIX-OPCOA-MAN "7-SEGMENT" LED Readouts

All fit 14-pin IC sockets. All 7-segments. MAN Series "all LED" and made by well-known West coast mfr. Others Reflective Bar type made by OPCOA and Litronix. The Reflective Bar types are low-cost versions of the MAN's except 3 1/2 character height! If one LED blows you lose a segment. MAN's you DO NOT! All readouts 0-9s, numerals, plus letters and decimal. Others Litronix and Opco's readouts are for readouts, for MAN-1. All 5V TTL compatible.

ALL LED READOUTS — TYPE	Character	Color Display	Decimal	Mils	Driver	Each	Special
MAN-3 equal	.115	Red	Yes	10	SN7448	1.69	3 for \$4.50
MAN-3 equal*	.115	Red	***	10	SN7448	1.50	3 for \$4.
MAN-3M equal*	.127	Red	Yes***	10	SN7448	1.50	3 for \$4.
MAN-4 equal*	.190	Red	Yes	15	SN7448	2.50	3 for \$6.
MAN-4 equal*	.190	Red	Yes***	15	SN7448	2.25	3 for \$5.

"REFLECTIVE LITE BAR" (Segment LED Readouts)

707** (MAN-1)	.33	Red	Yes	20	SN7447	2.75	3 for \$6.
704** (MAN-4)	.33	Red	Yes	20	SN7448	2.75	3 for \$6.
SLA-1** (MAN-1)	.33	Red	Yes	20	SN7447	2.75	3 for \$6.
SLA-1** (MAN-1)	.33	Red	No	20	SN7447	2.25	3 for \$5.
SLA-3H Giant	.70	Red	Yes	20	SN7447	6.50	3 for \$18.
SLA-11C** (MAN-5, 33)	Green	Yes	40	SN7447	4.95	3 for \$13.	

* Red epoxy case, others clear. ** Litronix and Opco's pin-for-pin equals and electrical specs as MAN-1 or MAN-1. *** LED "dot" missing

LED MITY DIGIT "DCM'S"

Buy 3 Take 10%

Scientific Devices' "Digital Counting Modules" outperform any other DCM on the market today. More features than ever before! Not gaseous, not incandescent, not noisy but the most reliable. Chosen by such famous manufacturers as Monsanto's MAN-1, MAN-4, Litronix 707 and 704, Opco's SLA-1 (the last 4 having character heights of 0.33 at no extra charge). Each kit includes 3x2" i/c board with fingers for a FREE edge connector, side-mounting dip socket, LED readout of your choice, resistors, 3 IC's and Molex connectors (this ELIMINATES SOLDERING YOUR IC'S) and booklet. INCLUDES P.C. EDGE CONNECTOR — FREE!

* Pin-for-pin MAN-1. ** Pin-for-pin MAN-1, etc. char. same!

Only \$9.99

READOUT Character Maker

- MAN-1 .27 h. Monsanto
- MAN-4 .19 h. Monsanto
- 707* .33 h. Litronix
- 704** .33 h. Litronix
- SLA-1* .33 h. Opco

NO MONEY BACK GUARANTEE on all returns

Potter & Brumfield KAP RELAYS

Your choice 3 for \$7.80 \$2.98

3PDT 12 VDC 115 VAC

Excellent for "HAM" use as antenna switching,atching, transmit, receive, etc., and 100's of commercial or industrial uses. In-line plastic dust cover with diagram and hookup info, 14-pin plug-in base. Contacts movable gold backed silver, stationary overlay, with silver cadmium oxide most common. 10 amp 2PDT and data. 115VAC 2250 ohms, 17.5 mA, 12 VDC 21 mA, 16 ohms. Size: 2 1/4" x 1 5/16" W. 4 pins. Center pin missing. Comar Mfg. type equal too.

NATIONAL EQUALS ON "DIGITAL CLOCK ON A CHIP"

- Any "Chip" * With \$8.88 Spec Sheet
- Mfrs: Description Sale
- 5311 28-pin, ceramic, any readout, \$8.88
 - 5312 24-pin, ceramic, any readout, \$8.88
 - 5313 28-pin, ceramic, any readout, \$8.88
 - 5314 24-pin, plastic, LED and incandescent readouts, 6-digits: A-B \$8.88
 - 5316 40-pin, normal alarm, snooze alarm, sleep timer, 4-digits: \$14.95
- Code: A—Hole Count, C—1 PPS Output, B—Output Strobe, D—BCD
- 1-MMS5316, DIGITAL ALARM CLOCK FACTORY FALLOUT — \$1.49 EACH

Terms: add postage. Rated: net 30
 Price: Orders: Wakefield, Mass. (617) 245-8429
 Retail: 16-18 Del Carmine St., Wakefield, Mass. (off Water Street) C.O.D.'S MAY BE PHONED

POLY PAKS

P.O. BOX 942H LYNNFIELD, MASS. 01940

**VHF
DX OPS**

MODEL 60 SPEECH PROCESSOR — QRO the average-to-peak ratio of the speech waveform as much as 8 db. using a logarithmic principle. Operates with FM, SSB and AM transmitters and transceivers. Low/High impedance Mic input. Two 9Vdc batteries provide a self-contained unit.

Model 60W (Processor Assembled) \$26.50
Model 60K (Processor Kit) \$21.90
200-15 (Processor Board Kit) \$12.95

MATRIC

BOX 185A • FRANKLIN, PA. 16323

PHONE: 814-432-3647

**QRG
?**

MODEL 20 DIGITAL DIAL — Available for Collins and Drake gear. Optional four digit readout and crystal time base. QSY your fixed or mobile transmitter, receiver or transceiver with 100 Hz accuracy and no last digit jitter. Simple one wire connects dial to rig and you're ready to go. **Specify your type of rig.**

Model 20 (5-5.5 Mhz VFO range)..... \$169.95
Model 20C (Collins)..... \$169.95
Model 20D (Drake)..... \$169.95
Options: (4 Digit Readout)..... \$ 29.95
 (Crystal Time Base)..... \$ 29.95

DEALERS:

VE AMATEUR RADIO SALES, Downsview, Ontario, Canada •
 SST ELECTRONICS, Lawndale, CA 90280 • GARY RADIO, INC.,
 San Diego, CA 92111 • AN-TEK INDUSTRIES, Elkhart, IN 46517 •
 SIGNAL SYSTEMS, Bedford, OH 44146 • KASS ELECTRONICS
 DISTRIBUTORS, Drexel Hill, PA 19326 • M. WEINSCHENKER
 K3DPJ, Irwin, PA 15642 • HAMTRONICS, Trevose, PA 19047

**CW
OPS**

MODEL 11A PADDLE — Designed with reliability in mind. No mechanical switches or bearings to fail. Paddle contact spacing adjusts easily.

Model 11A (Assembled)..... \$9.95

MODEL 10A ELECTRONIC KEYS — Has NEW features at no extra cost. Linear Speed Control and Operate/Tune Switch. Plus internal night cells and reed relay output provide a compact, portable, versatile unit.

Model 10AWA (Keyer & Sidetone Assembled)..... \$33.95

Model 10AW (Keyer Assembled)..... \$28.50

Model 10AK (Keyer Kit)..... \$21.95

200-2K (Keyer Board Kit)..... \$12.95

200-3K (Sidetone Board Kit)..... \$ 4.95

FREE Catalog

OF THE WORLD'S FINEST
GOVERNMENT SURPLUS
ELECTRONIC EQUIPMENT

And BETTER Than Ever!

Name _____
 Address _____
 City _____ State _____ Zip _____

Mail Coupon for Your FREE Copy, Dept. HR

FAIR RADIO SALES

1016 E. EUREKA • Box 1105 • LIMA, OHIO • 45802

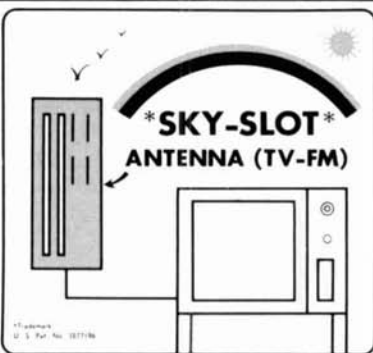
STOP

TEN-TEC-TRITON II	\$606.00
TEN-TEC-TRITON I	\$519.00
MAGNUM 8 RF PROCESSORS	
MOR GAIN ANTENNAS	\$ 40.00
GENAVE-2	\$249.95
MOSLEY-CLASSIC 36	\$188.10
REGENCY HR-212	\$259.00
HYGAIN TH6DXX	\$179.95
GALAXY GT-550A	\$595.00
VENUS SSTV	\$349.00
GLADDING 25	\$249.95
STANDARD 146A	\$289.00

LOU GOLDSTEIN, K4LAN

P.O. BOX 3561, PENSACOLA, FLA. 32506

Drop me a line for those unadvertised extras

**TV-FM-CLASS E CB ANTENNA NEW**

ROLLABLE (with perfect color band-width). Just unroll and stick on wall. Uses no masts, no rabbit ears, no dangerous plugging to AC lines, and NO SIGNAL SPLITTERS since the VHF-UHF-FM terminals (VHF usable for CB with high power handling) available at the same time. (New 1971 slotted design with U.S. Patent S/N 3577196). Made of decorative foil/plastic yet rugged for use in yatch or RV. Antenna size: 18" x 48" unrolled, works behind picture, against metal! Price is only \$15 for model with following gain: (VHF - 9 dB), (UHF - 12 dB), (FM - 6 dB); gains above dipole.

Order postpaid AIRMAIL, insured, from

ANTENNA DESIGN CO.

11621 HUGHES AVE., N.E.

ALBUQUERQUE, N. M. 87112

**GLADE VALLEY SCHOOL RADIO SESSION**

15th year - July 27 - Aug. 9, 1974

Courses Taught: General Theory and Code
 Advanced Theory and Code
 Amateur Extra Theory and Code

**Golf privileges at New River Country Club: also fishing
 TRULY A VACATION WITH A PURPOSE!!!**

People attended from the following states:

North Carolina, South Carolina, Missouri, Tennessee, Utah, Florida, Oklahoma, West Virginia, Alabama, New Hampshire, Iowa, District of Columbia, Vermont, Arizona, Indiana, Ohio, New Jersey, New York, Massachusetts, Maryland, Virginia, Illinois, Michigan, Georgia, Kansas, Mississippi, Nebraska, Maine, Kentucky, California, New Mexico, Arkansas, Texas, Wisconsin, Louisiana, Oregon, Connecticut, Minnesota, Pennsylvania.

We've changed our name and location. We have just moved four miles from our previous site. We are now on the campus of a beautiful small boarding school. Excellent accommodations, same good food and the same excellent instructors.

C. L. Peters, K4DNJ, Director
 P. O. Box 770, Elkin, North Carolina 28621

Please send me the Booklet and Application Blank for the Glade Valley School Radio Session.

Name _____ Call _____

Address _____

City/State/Zip _____

INTERNATIONAL ELECTRONICS UNLIMITED

MARCH SPECIALS

TTL

7400	\$ 25	7447	\$1 45	74123	\$1 15
7401	25	7448	50	74125	69
7402	25	7450	29	74126	96
7403	25	7451	32	74141	125
7404	29	7453	32	74145	125
7406	27	7454	45	74150	126
7406	55	7455	32	74151	106
7407	53	7460	30	74153	44
7408	29	7461	30	74154	175
7409	29	7464	45	74155	135
7410	25	7465	45	74156	150
7411	35	7470	50	74157	150
7413	95	7472	45	74161	165
7415	50	7473	55	74163	180
7416	50	7474	55	74164	290
7417	50	7475	95	74165	295
7420	25	7476	55	74166	195
7421	32	7478	89	74173	195
7423	32	7483	32	74175	195
7423	37	7485	20	74176	95
7425	39	7486	53	74177	95
7426	39	7489	325	74180	115
7427	39	7490	125	74181	425
7430	25	7491	403	74182	110
7432	30	7492	105	74190	165
7437	50	7493	105	74192	165
7438	55	7494	310	74193	165
7440	25	7495	105	74194	165
7441	125	7496	105	74195	115
7442	115	74100	65	74196	235
7443	125	74106	55	74197	115
7444	130	74107	55	74198	250
7445	125	74121	65	74199	250
7446	45	74122	55		

Low Power TTL

74100	\$ 40	74151	\$ 40	74190	\$1 75
74102	40	74152	50	74191	150
74103	40	74171	60	74193	175
74104	40	74172	60	74195	175
74106	40	74173	80	74196	235
74110	40	74174	80	74195	295
74120	40	74178	80	89152	295
74130	40	74180	75	89175	295
74142	175	74186	95		

High Speed TTL

74H	\$ 40	74H21	\$ 47	74H60	\$ 45
74H01	40	74H22	47	74H61	45
74H02	40	74H30	40	74H62	45
74H04	45	74H40	40	74H72	60
74H08	45	74H50	45	74H74	70
74H10	40	74H53	47	74H75	70
74H20	40	74H55	47		

8000 Series TTL

8004	\$ 45	8200	\$ 295	8554	\$ 295
8050	30	8210	395	8570	295
8091	59	8214	195	8600	115
8092	59	8219	195	8610	95
8093	69	8270	195	8612	175
8094	69	8280	295	8622	295
8121	105	8282	105	8630	69
8122	105	8288	105	8631	295
8123	175	8520	145	8632	295
8130	175	8521	195	8639	69
8182	175	8552	295	8680	150

Specify spec sheet required with order. Add \$ 50 per spec sheet for items less than \$1 00 ea.

ALL DIP Package

CMOS

74C00	\$ 85	74C76	\$1 70	74C102	\$3 26
74C02	85	74C107	40	74C103	326
74C04	85	74C161	290	74C104	350
74C10	85	74C164	350	74C173	290
74C20	85	74C192	290	74C192	325
74C42	215	74C180	320	74C195	300
74C73	70	74C191	325	80C87	150
74C74	150				

4000 Series -- RCA Equivalent

CD 4001	\$ 85	CD 4012	\$ 85	CD 4023	\$ 85
CD 4002	85	CD 4013	150	CD 4025	85
CD 4008	190	CD 4016	150	CD 4027	125
CD 4010	85	CD 4017	290	CD 4030	85
CD 4011	85	CD 4019	130	CD 4036	295

MOS

MM1404	1024-bit dynamic shift register	\$2 26 ea.
MM5013	1024-bit dynamic shift register/accumulator	2 26 ea.
MM6240	2560-bit Character Generator	4 95 ea.
MM5241	3072-bit Static Read only Memory (ASV)	7 95 ea.

Memories

1101	256 bit RAM MOS (2501)	\$2 80 ea.
1103	1024 bit RAM MOS	7 95 ea.
5260	1024 bit RAM 18 pin Low power consumption	7 95 ea.
7488	64 bit RAM TTL	3 25 ea.
8223	Programmable ROM	6 95 ea.

OPTO ISOLATORS

MCD 2	Diode	\$.99 ea.
MCT 2	Transistor	.99 ea.

TTL dip pak

7400	Dual two-input gate	5 for \$1.00
7483	4-bit binary full adder	1.00 ea.
7483	4-bit binary counter	1.50 ea.
74123	Retrig. mono. multivibr w/clear	1.05 ea.
8123	Tristate 8322, multiplexer	95 ea.

Linear circuits

361	(75453) Dual peripheral driver minidip	3 for \$1.00
723	Voltage regulator	3 for \$2.00

Linear

LM300	Pos V Reg (super 723)	TO-9	\$.95 ea.
LM 301	H performance AMPL	TO-6 or MINI-DIP	.46 ea.
LM 302	Voltage Follower	TO-5	.46 ea.
LM 304	Negative Voltage Regulator	TO-5	1.25 ea.
LM 306	Positive Voltage Regulator	TO-5	1.25 ea.
LM 307	Op Amp (super 741)	TO-5 or MINI-DIP	.46 ea.
LM 308	Micro Power Op Amp	MINI-DIP	1.25 ea.
LM 309H	V Regulator	TO-6	1.25 ea.
LM 309S	5 V Regulator	TO-3	1.95 ea.
LM 310	Voltage Follower Op Amp	TO-5	1.45 ea.
LM 311	Hi perf Voltage Comparator	TO-6 or MINI-DIP	1.25 ea.
LM 318	Hi Speed Dual Comp. Op Amp	TO-5	1.95 ea.
LM 320	5-2 V Negative Regulator	TO-3	1.95 ea.
LM 320	12 V Negative Regulator	TO-3	1.95 ea.
LM 320	15 V Negative Regulator	TO-3	1.95 ea.
LM 328	Dual Comparator	DIP	1.95 ea.
LM 340T	Positive Voltage Regulator (9V, 15V or 24V)	TO-220	2.25 ea.

LM 370	AGC/Squelch AMPL	TO-5 or DIP	1.29 ea.
LM 372	RF Strip-detector	DIP	.85 ea.
LM 373	AMP/PAS/SS Strp	DIP	3.00 ea.
LM 378	Pos. Volt. Regulator	MINI-DIP	.95 ea.
LM 380	2 Watt Audio Driver	DIP or MINI-DIP	1.75 ea.
LM 382	Low Noise Dual Pre Amp	MINI-DIP	1.95 ea.
LM 380	Pressure Voltage Regulator	DIP	.95 ea.
LM 703	RF IF Amp	MINI-DIP	.59 ea.
LM 708	Operational AMPL	TO-6 or DIP	.38 ea.
LM 711	Dual Differential Comparator	DIP	.38 ea.
LM 723	Voltage Regulator	DIP	.75 ea.
LM 738	Dual Hi Performance Op AMP	DIP	1.75 ea.
LM 741	Comp. Op AMP	TO-5 or MINI-DIP	.46 ea.
LM 747	Dual 741 Op AMP	TO-6 or DIP	.95 ea.
LM 748	Free A41	MINI-DIP	.45 ea.
LM 1303	Stereo Pre Amp	DIP	.95 ea.
LM 1304	FM Multiplex Stereo Demod	DIP	1.50 ea.
LM 1307	FM Multiplex Stereo Demod	DIP	.95 ea.
LM 1458	Dual Comp. Op. Amp.	MINI-DIP	.75 ea.
LM 1458	Dual LM211 Veh. Comparator	DIP	2.95 ea.
LH 3005	TV FM Stereo System F4M Out - L/R/T/R and Audio Pre Amp	DIP	.85 ea.
LM 3900	Dual Amplifier	DIP	.50 ea.
LM 3905	Precision Timer	MINI-DIP	.75 ea.
LM 7524	Core Memory Sense AMPL	DIP	1.95 ea.
LM 7525	Core Memory Sense AMPL	DIP	.95 ea.
LM 7535	Core Memory Sense AMPL	DIP	.95 ea.
LM 8803	Retriggerable One Shot	DIP	.85 ea.
LM 75481	Dual Peripheral Driver	MINI-DIP	.49 ea.
LM 75482	Dual Peripheral Driver	MINI-DIP	.49 ea.
LM 75483	(LM 381) Dual Peripheral Driver	MINI-DIP	.69 ea.

Specify TO-5, DIP or MINI-DIP Package

Specify Spec Sheet Required with order. Add \$ 50 per spec sheet for items less than \$1 00 ea.

Phase Locked Loops

NE 560	Phase Locked Loop	DIP	\$2 95 ea.
NE 561	Phase Locked Loop	DIP	2.95 ea.
NE 562	Phase Locked Loop	DIP	2.95 ea.
NE 565	Phase Locked Loop	DIP	2.95 ea.
NE 568	Function Generator	MINI-DIP OR TO-5	2.95 ea.
NE 567	Tone Decoder	MINI-DIP OR TO-5	2.95 ea.

Specify TO-5, Dip or Mini Dip Package

18 PIN CALCULATOR KIT

- MM6736 - 18 pin calculator chip - four function - 8 digit
- A pair of 3-in-1 dip paks (8 digital) LED Similar to DL-33
- One 75492 Hex Digit Driver

Data supplied on above items. You supply switches, resistor, keyboard and battery for complete calculator \$11.95/kit

Calculator Chips

5001	LSI 140 pin Add, subtract, multiply & divide 12 digit		
	Data supplied with chip		96 95 ea.
	Data only/Refundable w/purchase		1.00 ea.
5002	LSI Similar to 5001 except designed for battery power		96 95 ea.
	Data supplied with chip		1.00 ea.
	Data only/Refundable w/purchase		1.00 ea.
5006	LSI (28 pin) Full four function memory 12 digit display and logic 7 segment multi colored display		\$10 85 ea.
	Data supplied with chip		1.00 ea.
	Data only/Refundable w/purchase		1.00 ea.

Digital clock... on a Chip

MM 5311	(28 pin) Any readout 8 digit BCD with spec sheet	\$11 95 ea.
MM 5312	(24 pin) Any readout 4 digit spec BCD with spec sheet	8 95 ea.
MM 5313	(28 pin) Any readout 8 digit spec BCD with spec sheet	10 95 ea.
MM 5314	(24 pin) LED/Incandescent readout 8 digit with spec sheet	10 95 ea.
MM 5316	(40 pin) Normal alarm, snooze alarm, sleep timer 12 or 24 hr operation with spec sheet	15 95 ea.

LED

MY108	Visible red SUPER SPECIAL	\$.25 ea.
MY109	Red emitting	35 or 5/91 00
MY620	Yas. Large red	36 or 7/81 00
MY621	Yas. Large red	36 or 7/81 00
MAN 1	The Original	3 95 ea.
MAN 3	Type	1 95 ea. 3 or more 1 49 ea.
MAN 4	Type	2 75 ea. 3 or more 2 50 ea.
Data-Lite	707 (MAN 1 rep)	3 25 ea.

Opto Isolators

MCA 2 30	Darlington	\$.95 ea.
MCD 2	Duobit	1 95 ea.
MCT 2	Transistor	1 45 ea.

Untested IC's

UNTESTED MOS									
MM1403	1024-bit dynamic shift register	DIP	85 ea.						
MM1404	1024-bit dynamic shift register	DIP	85 ea.						
MM5013	1024-bit dynamic shift register/accumulator	DIP	TO 6 55 ea.						
MM6240	2560-bit dynamic shift register	DIP	TO 6 25 ea.						
MM5241	3072-bit static shift register	TO 6	35 ea.						
MM6050	Dual 32-bit static shift register	TO 6	35 ea.						
MM6050	Dual 64/72/80-bit static shift register	DIP	35 ea.						
MOS Shift Registers 2600 Series									
2602	2560	2610	2611	2618	2619	2621	2622		
Universal decoder									4/10 ea.
Grab Bag Special									
15 Assorted TTL's (dip)									\$1 00/Bag
25 Assorted TTL's (dip)									\$1 00/Bag

ON ORDERS OVER \$25.00 DEDUCT 10%

Satisfaction guaranteed. All items except as noted are fully tested. Minimum order \$5.00 prepaid in U.S. and Canada. Calif. residents add sales tax. Orders filled within three days from receipt.

INTERNATIONAL ELECTRONICS UNLIMITED
P.O. BOX 1708R
Monterey, Calif. 93940

PUNCHED TAPE EQUIPMENT

Burrows A522 or A560 Tape Perforator. 8-unit code on 1-inch tape. Used, exc. cond. Shpg. wt. 35 lbs. \$75.00

Friden Model 8A or 8C tape perforator and reader in one unit. 8-unit code on 1" tape. Used, exc. cond. Shpg. wt. 100 lbs. \$150.00

Teletype Model 28 tape unit; Tape reader LBXD, 3-speeds, 60-75-100 WPM; High-speed perforator BRPE, 700 WPM, on LRB9 Base, all mounted on LTHS Tape Handling unit. Exc. cond., as removed from service. Shpg. wt. 100 lbs. \$75.00 each

LED READOUTS: Opcoa SLA-1. Electrically equal to MAN-1. .33" high, 20 ma. per segment. With decimal point. Red. \$2.65 each, 6/\$15.00

BIG LED READOUTS: Opcoa SLA-3. .7" high, 40 ma. per segment. With decimal point. Red. \$5.55 each, 4/\$19.75

ETCHANT FOR P.C. BOARDS, Ammonium Persulfate, 1 pound of crystals, just dissolve in water. Enough for 100 sq. in. of 2. oz. copper. \$1.25

Wheatstone bridges, portable, Industrial Instruments RN-1. 4 dials and ratio. Very good cond. \$50.00

Marion model M-2 Meter Tester. Measures voltage to 100 v., current to 2 ma., and resistance. Good cond. \$65.00

Digitec Z-400-B digital millivoltmeter. 0-100 millivolts. Reads to 02. mv. Very good cond. \$60.00



Please add shipping charges, except items over 50 lbs. are motor freight collect for shipping. Minimum mail order \$3.00.

JEFF-TRONICS

1916 Clark Ave. Cleveland, OH. 44109
(216) 621-1004

DUAL BAND ANTENNAS

These ready to mount antennas consist of full $\frac{1}{2}$ wavelength elements of No. 12 copperweld wire and can be used as either dipoles or inverted vees. No traps, coils, gimmicks, etc. are used to shorten the elements, 2KW rating. Single coax feedline required. Individually mounted dipoles with common center insulator: 80/40, \$21.95; 40/20, \$16.25; 20/15, \$14.10. Other combinations available. Send for free catalog listing dual band, monoband, and folded dipole antennas. Baluns available. Postpaid continental U. S. A.

HOUSE OF DIPOLES

P. O. BOX 8484
ORLANDO, FLORIDA 32806

YAESU

Racom has the following Yaesu models in stock for immediate delivery.

FT-101B, FTDX401, FRDX400/FLDX400
External VFO's, Speaker-Patches
Frequency Counters.

Also 2 Meter FM Mobile Transceivers
FT-2FB and FT-2 Auto

IC-20, IC-21, IC-22 CRYSTALS \$3.00 each

Write to Woody, W7RC

Racom Electronics, Inc.

15051 S.E. 128 ST., RENTON, WA. 98055
Telephone 206-AL5-6656
COMPLETE REPAIR SERVICE

3-D MAGNETIC CALL SIGNS

3 inch letters

Your choice of colors —
Black, Red, Blue or Green

Adherence to metallic surfaces test up to 180 MPH
\$4.00 each — 2 for \$7.00 (same call)

ALSO

RUBBER STAMPS

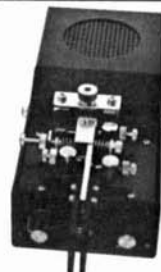
Made to order — 3 lines - \$4.00

Preinked stamp pad \$1.35

(Please print or type all copy)

WB80TV SPECIALTY PRODUCTS

P. O. Box 187 • Grasslake, Michigan 49240



NEW! GLOBALMAN™ ELECTRONIC KEYER

EK-108D

with built in monitor

\$64.95 ppd.

Jam-Proof IC Circuitry • 5-50 wpm self completing • Output heavy-duty TR switch 250v. 2 amps • Power: 2 flashlight batteries or external 6VDC

1 year unconditional guarantee — 10 day return privilege
Write for specs & photos. Dealers Wanted

W6PHA — GLOBAL IMPORT CO.

714-533-4400 Telex 678496 Box 246, El Toro, Calif. 92630

NEW

THE TELEPRINTER HANDBOOK

by

D. J. Goacher, G3LLZ & J. G. Denny, G3NTT

The Largest & most complete handbook on
RTTY ever published

This handbook covers in extensive detail most of the popular printers and auxiliary equipment, both American and European. You will also find all of the other equipment that goes to make up a modern complete RTTY station such as demodulators, power supplies, filters, control systems and test equipment.

Very thorough. Gives the complete description and theory of the equipment. Also covers the maintenance and repair of each model. Profusely illustrated.

A book that everyone has been waiting for. More than four years went into its preparation and contributors include a number of the world's leading RTTY amateurs from both sides of the Atlantic.

THE TELEPRINTER HANDBOOK

\$14.95 postpaid

hr
BOOKS

GREENVILLE, NH 03048

HOLD IT!



**TWO
WATTS**

**4
CHANNELS**

.5 uv for 20 dB quieting

aluminum case

2½ x 1½ x 9

prewound coils

dual conversion

ceramic 455 filter

predrilled PC boards

silk screened parts layout for easy construction

ORDER YOURS NOW

Please send me _____ HT-144

@ \$99.95 each.

Name _____

Total _____

Address _____

Shipping (\$1.00/kit) _____

City _____

NYS res. sales tax _____

State _____

ZIP _____

TOTAL ENCLOSED _____

BANKAMERICARD

VHF ENGINEERING

— DIV. OF BROWNIAN ELECT. CORP. —

320 WATER ST. POB 1921 BINGHAMTON, N.Y. 13902 607-723-9574

COMPUTER KEYBOARD

\$7.00 (as is)



Several styles on hand in poor condition, broken key/keys, broken case or no case, etc. Still a good value at \$7.00 for parts, switches, and each has encoder board in base.

2N2152	45 volt	170 watt	PNP-G	\$1.00
*2N3713	80	170	NPN-S	1.00
*2N3789	60	150	PNP-S	.75
2N5301	40	200	NPN-S	1.25
*2N5301	40	200	NPN-S	1.00

*Removed from used equipment

TRANSFORMERS

BRAND NEW, 115 volt AC input. OP - AMP XFMR, out puts: 16 VCT 1/2 amp, 17 VCT 1/2 amp. \$3.50

FILAMENT or BTRY CHARGER XFMR

output of 18 volts at 4.5 amp \$3.50



CALCULATOR KEYBOARD

Brand new keyboards for hand held calculators. Two styles available.

One for use with calculator chip CAL TEX 5001-5002-5012 or MOSTEK 5010-5012. Another for use with Gen. Inst. chip C500. Priced at \$8.00 each or two for \$15.00.



CT 5005 CALCULATOR CHIP

Single MOS chip with all logic required for 12 digit 4 function desk top calculator with extra storage register for memory or constant. Multiplexed 7 segment outputs for LED, Incandescent, Fluorescent, or Gas Discharge displays. Brand new, bargain priced, with specs. \$8.00 each, 2 for \$15.00



HP LED DISPLAYS

Brand new 4-on-a-strip LED readouts. End-butt two strips and come up with 8 digit readout. An unheard of Super Value . . . \$8.00 per strip, 2 strips \$15.00

Another strip . . . this one a Clock Chip readout. 2 digits . . . a space . . . and 2 more digits. Just right for a clock reading hours and minutes. This one only \$8.00

JOHN MESHNA JR. ELECTRONICS

313,344 CORE MEMORY \$125.00

From SPECTRA computer, visually OK. 64 x 68 x 4 x 18 core stack. Figures out to 35K Byte.

LED 7 SEGMENT READOUT



Similar to MAN-1. Factory seconds but functionally OK. Fit 14 pin DIP socket.

7 segment w/left decimal	#LED-A-L	\$3.00
7 segment w/right decimal	#LED-A-R	3.25
7 segment no decimal	#LED-A	2.75

Above LEDs 2 for the price of 1
Socket for above, gold plated leads 3/1.00

IC SALE YOUR CHOICE 3 for \$1.00

µl 900 BUFFER TO-5		
µl 914 DUAL 2 INPUT GATE TO-5		
µl 923 JK FLIP FLOP TO-5		
µl 926 Hi speed JK FLIP FLOP TO-5		
µl 931 JK/RS FLIP FLOP (DIP)		
10 pin socket for TO-5 IC		3/1.00

GIANT NIXIE B7971

Used \$1.00 Brand New \$2.00
With schematic for GIANT clock.

COMPUTER TAPE DECK \$75.00

Takes 1/2 inch tape, made by Computer Entry Systems. Visually ok, with electronics, no data available.

PHONE PATCH KIT

Includes all parts, instructions, cabinet.
AM PATCH — \$5.00 SSB PATCH — \$9.00

CMOS 4814 HEX INVERTER

CMOS HEX INVERTER, dual inline package. 3-18 volt range, dual diode protection against static charge. Dielectrically isolated complimentary MOS. \$1.00 each 12 for \$10.00

DUAL 16 BIT MEMORY

Dual 16 bit memory, serial MOS by Philco TO-5 case, brand new with 2 page specs. #PLR 532 \$1.00 each \$10/12

2048 BIT MOS MEMORY

2048 bit MOS LSI random access memory NEC 6003. All inputs except clock are TTL compatible. 2048 word by 1 bit. 22 pin ceramic dual-in-line. With specs. \$9.00 each 2 for \$17.00

RCA INJECTION LASER DIODES

Another SUPER SCOOP by Meshna. Brand new RCA packaged, considered obsolete by RCA but what an exotic opto-electronic device for the sophisticated experimenter. Only several hundred on hand. Values shown are approx. as each diode characteristic varies. Each is marked with correct value.

6 WATT	\$10.00
10 WATT	\$15.00

Postage Extra on all Items

P. O. Box 62 E. Lynn, Mass. 01904

flea market



WORLD QSL — See ad page 84.

HAMFEST! Indiana's friendliest and largest spring hamfest. Wabash County ARC's 6th Annual Hamfest, May 19, 1974, 4-H fairgrounds, rain or shine. Admission still only \$1.00 for advanced tickets (\$1.50 at gate). Large flea market, technical sessions, bingo for XYL's, free overnight camping, plenty of parking. Bonus for car-pools (4 or more adults per car). For more information or advanced tickets write: Jerry Cleveenger, WA9ZHU, Route 4, Wabash, Indiana 46992.

FRAME & DISPLAY your QSL's with 20 pocket plastic holders. Two for \$1.00, seven for \$3.00 from your dealer or direct, prepaid. Free sample to dealers upon request. TEPABCO, Box 198H, Gallatin, Tennessee 37077.

SURPLUS TEST EQUIPMENT, VHF and microwave gear; write for bulletins. David Edsall, 2843 St. Paul, Baltimore, Md. 21218.

CANTON AMATEUR RADIO CLUB annual auction & flea market, Friday, March 8, 1974, at the Imperial House Motel in Canton, Ohio, at 7:30 p.m. Doors open for set-up at 5:00 p.m., mobile check-ins on 147.06 & 146.94 Simplex, Stark County repeater 146.19/79. Grand Prize, mobile check-in prize, other prizes awarded each half-hour. Free coffee and donuts. All companies are invited to attend and set up displays and exhibitions, free space will be provided. For reservations or information contact Mark Schontz, WB8NUA, 601 Perry Dr. N.W., Canton, Ohio.

DO-IT-URSELF DXPEDITION — Stay at ZF1SB — Cayman Is. Vertical antenna and Caribbean at your doorstep. Diving/fishing if band folds. We arrange license. Write Spanish Bay Reef Resort, Box 800K, Grand Cayman, B. W. I.

SECOND ANNUAL WOODWARD HAMFEST-SWAP-FEST will be held on March 30-31, 1974. The event will be held at the Woodward County fairbuilding in Woodward, Okla.

NEED PARTS? We carry parts for R-388-390-390A-391-392-1051-51S1 - Nems Clark-Racal-Pack sets - PRC-25-41-47-62-70-71-73-74-77. If you need a part no matter what you have. If its U.S. government we have it or can get it. Also we want to buy or trade all aircraft communications. All ground radio communications. All plug-in modules control heads. No matter what cond. they are in - bent or busted ok. We will buy or trade. We have R-390-388-390A-392-1051-51S1 Nems Clark - Racal - and new ham gear for trade. D & R Electronics, R. D. #1, Box 56, Milton, Pa. 17847. Phone 1-717-742-4604 after 6:00 P.M.

NORTH FLORIDA SWAPFEST, March 31, 1974, Community Center, Hwy 98. Write: PARC, Box 873, Fort Walton Beach, Fla. 32548.

QSLs. Second to none. Same day service. Samples 25¢. Ray, K7HLR, Box 331, Clearfield, Utah 84015.

QRP STATION. Ten-Tec PM3A transceiver 210 PS AC5 tuner, used 2 hours, \$75.00 postpaid. Cal Cornils, 1293 West L, Benicia, Calif. 94510.

PRECISION HAND TOOLS, special ham-experimenter discount. Letter brings mailings. Artisan Tool Company, Box 36, Glenmont, New York 10777.

WANT OLD RADIO SHOW TRANSCRIPTION discs. Any size or speed. Send details to, Larry Kiner, W7FIZ, 7554 132nd Ave. N.E., Kirkland, Wa. 98033.

JOHNSON VALIANT — \$125.00, and SBE-33, \$175.00. Both good condition. W7ISJ, 8822 Driftwood, Tucson, Ariz. 85715.

CANADIAN JUMBO SURPLUS and Parts Catalogs. Bargains Galore. Send \$1. ETCO-HR, Box 741, Montreal "A" H3c 2V2.

WANTED: tubes, transistors, equipment, what have you? Bernard Goldstein, W2MNP, Box 257, Canal Station, New York, N. Y. 10013.

TELL YOUR FRIENDS about Ham Radio Magazine.

■ **RATES** Commercial Ads 35¢ per word; non-commercial ads 10¢ per word payable in advance. No cash discounts or agency commissions allowed.

■ **COPY** No special layout or arrangements available. Material should be typewritten or clearly printed and must include full name and address. We reserve the right to reject unsuitable copy. **Ham Radio** can not check out each advertiser and thus cannot be held responsible for claims made. Liability for correctness of material limited to corrected ad in next available issue. Deadline is 15th of second preceding month.

■ **SEND MATERIAL TO:** Flea Market, Ham Radio, Greenville, N. H. 03048.

19TH ANNUAL HAMFEST AND AUCTION to be held Saturday, March 9, 1974 at the Lucas County Rec. Center, 290 Key St., Maumee, Ohio. Registration \$2.00 at door, \$1.50 advance. For further info. write Toledo Mobile Radio, Ass'n., P. O. Box 273, Toledo, Ohio 43695.

RESISTORS: Carbon composition brand new. All standard values stocked. 1/2W 10% 40/\$1.00; 1/4W 10% 30/\$1.00 — 10 resistors per value, please. Minimum order \$5.00. 15W RMS 1C Audio Amplifier — Panasonic. Frequency response 20Hz-100 kHz. 1/2% distortion. Price \$6.95 Postpaid. Pace Electronic Products, Box 161-H, Ontario Center, New York 14520.

OUTSTANDING RTTY MANUAL. Teleprinter handbook. Covers everything. Beautiful hardbound volume. \$14.95 ppd. from HR Books, Greenville, NH 03048.

THE KNIGHT RAIDERS VHF CLUB'S auction and flea market is Sunday, March 24 at the YM-YWHA of North Jersey, 152 Van Houten St., Paterson. Free admission, free parking, refreshments available. Talk-in 146.94 MHz. Flea market tables \$5 for 8 ft. or \$2.50 for 1/2 table. Reserve tables in advance: Knight Raiders VHF Club, Inc., K2DEL, P. O. Box 1054, Passaic, N. J. 07055.

RECIPROCATING DETECTOR, write Peter Meacham Associates, 19 Loretta Road, Waltham, Mass. 02154.

WE'VE BEEN RIPPED OFF! Dec. 11th in Madison, Wisconsin. Collins, Model KWM-2, Transceiver, Serial #13551 with noise blanker, Waters filter, WØBNF modifications, and a Turner ceramic mike. Has many identifying features — I will be able to identify even if serial is removed. Call W9JS collect at area code 312-665-0071, or report to the Madison Police Department.

TEFLON WIRE #22 gauge stranded, silver plated. \$1.75/100 ft. Rich Shyer, 625-4 S. Palomares, Pomona, Ca. 91766.

QSL'S — **BROWNIE W3CJI** — 3035B Lehigh, Allentown, Pa. 18103. Samples with cut catalog 35¢.

L. I. Electronic Supermart (Off the wall self service)

New P.C. Boards — G10, 1 oz. - 1 side copper-fiber glass
6" x 6", 80¢ ea. — 6 x 12, \$1.50 ea. - 12 x 12, \$2.85 ea.

New P.C. Boards — G10, 1 oz. - 2 side copper-fiber glass
6" x 6", \$1.10 ea. - 6 x 12, \$2.00 ea. - 12 x 12, \$3.75 ea.

New P.C. Boards — G10, Fiber glass punch:
F Pattern 4.5 x 6.5, .062 holes, 5 per 1" \$1.30
P Pattern 4.5 x 6.5, .042 holes, 10 per 1" \$1.35
G Pattern, 4.5 x 6.5, .062 holes, \$1.30

Pkg. 10 Bircher P.C. Board, metal 2" slides \$1.00
Package of 50 flea clips for above punched Boards, .062 75¢

30 ¼ or ½ W resistors, packaged 5 per value your choice of values \$1.00

25-1W resistors, packaged 5 per value, your choice of values \$1.00

15-2W resistors, packaged 5 per value, your choice of values \$1.00

5 ¼ or ½ W, 1% resistors, packaged 5 per value, your choice of values .50

5 ceramic disk caps, .001-01, packaged 5 per value, your choice of values .50

5 mica dip caps, 1 pf-150 pf, packaged 5 per value, your choice of values .50

5 mica dip caps, 180 pf-820 pf, packaged 5 per value, your choice of values .75

5 mica dip caps, 910 pf-1500 pf, packaged 5 per value, your choice of values \$1.00

Wire Kit #22 solid PVC, 6 spools, 6 colors, 50' ea. spool \$3.50

Wire Kit #22 stranded PVC, 6 spools, 6 colors, 50' ea. spool \$3.50

Wire Kit #24 Solid PVC, 6 spools, 6 colors, 50' ea. spool \$3.50

Wire Kit #24 stranded PVC, 6 spools, 6 colors, 50' ea. spool \$3.50

10' — Ten cond. ribbon wire, color coded, #22 or #24, stranded \$1.50

C & K #7101 mini switch, SPDT on-on \$1.05

C & K #7103 mini switch, SPDT on-off-on \$1.20

C & K #7201 mini switch, DPDT on-on \$1.35

C & K #7203 mini switch, DPDT on-off-on \$1.55

Alco 105D MST momentary on-off-momentary on \$1.25

Central Lab DPDT push momentary, SPEC. 4/\$1.00

Connectors, PL259, \$.45; PL258, \$.70; 175U or 176U, \$.20 ea.; UG 88 cu., \$.50; UG 201 a/u (N to BNC adapter), \$.75; RCA to UHF, \$.90

Encapsulated chokes 1uh to 5 Mh, choice 3/\$1.00

Varo type mini bridge rectifiers, approx. ½" sq. size: 2 amp. - 50 v., \$1.25; 4 amp. - 50 v., \$1.25; 6 amp. - 50 v., \$1.25; 2 amp. - 100 v., \$1.25; 4 amp. - 100 v., \$1.25; 6 amp. - 100 v., \$1.25; 2 amp. - 200 v., \$1.50; 4 amp. - 200 v., \$1.50; 6 amp. - 200 v., \$1.50; 4 amp. - 400 v., \$1.50; 6 amp. - 400 v., \$1.50

Triacs — thermo tab package — 1 amp. - 400 v., \$.80 ea.; 3 amp. - 400 v., \$1.40 ea.; 4 amp. - 200 v., \$1.20 ea.; 6 amp. - 200 v., \$1.40 ea.; 6 amp. - 400 v., \$1.60 ea.; 6 amp. - 500 v., \$1.80 ea.; 8 amp. - 200 v., \$1.60 ea.; 8 amp. - 500 v., \$1.80 ea.

To-5 case, 1 amp. - 200 v., \$.70 ea.; 1 amp. - 400 v., \$1.00 ea.

SCR 200 v. - 8 amp. thermo tab \$.80 ea.

SEND SELF ADDRESSED ENVELOPE FOR FREE MAILER. INCLUDES MANY HUNDREDS OF ITEMS NOT LISTED ABOVE.

Send check or money order - include 60¢ to cover parcel post and handling. UPS shipping available. Minimum order \$4.50.

FREE BONUS WITH EACH \$10.00 ORDER
50' SPOOL 600 V. #22 PVC WIRE

KRP

ELECTRONIC SUPERMART, INC.

219 WEST SUNRISE HIGHWAY
FREEPORT, L. I., N. Y. 11520
516-623-3346-9

LOOKING FOR A NEW CHALLENGE?

... then build a TV camera!



ONLY SOLID-STATE CAMERA AVAILABLE IN KIT FORM OR FACTORY ASSEMBLED. COMPLETE KIT WITH VIDECON TUBE ONLY \$157.70. POSTPAID DELIVERY ANYWHERE IN USA, CANADA and MEXICO. OPTIONAL AUDIO SUBCARRIER \$18.95. WRITE OR PHONE NOW FOR COMPLETE CATALOG OF KITS, PARTS and PLANS. DIAL 402-987-3771.

1301 BROADWAY, N.W. **ATV Research** DAKOTA CITY, NEBR. 68731

THE ULTIMATE MORSE KEYBOARD

- 64 character buffer
- Standard typewriter format with space
- Compatible with KM-420 memory

Available 1 November Model #KB-420
Write for specifications \$499.95

GURMIS ELECTRO DEVICES BOX 4090 • MOUNTAIN VIEW, CALIF. 94040 • TEL. (415) 964-3136



KM-420 CW MESSAGE MEMORY 100 OR 200 CHARACTERS \$299.95 Write for brochures
EK-420C MW HELLER ALVER 100 12MP HR KW \$139.95

GURMIS ELECTRO DEVICES TEL. (415) 964-3136 NEW FOX 1973
INC. BOX 4090, MOUNTAIN VIEW, CA. 94040

WORLD QSL BUREAU

THE ONLY QSL BUREAU to handle all of your QSLs to anywhere; next door, the next state, the next country, the whole world. Just bundle them up (please arrange alphabetically) and send them to us with payment of 6¢ each.

5200 Panama Ave., Richmond, CA USA 94804



Radio Amateurs
Reference Library
of Maps and Atlases

WORLD PREFIX MAP — Full color, 40" x 28", shows prefixes on each country . . . DX zones, time zones, cities, cross referenced tables \$1.25

RADIO AMATEURS GREAT CIRCLE CHART OF THE WORLD — from the center of the United States! Full color, 30" x 25", listing Great Circle bearings in degrees for six major U.S. cities; Boston, Washington, D. C., Miami, Seattle, San Francisco & Los Angeles. \$1.25

RADIO AMATEURS MAP OF NORTH AMERICA! Full color, 30" x 25" — includes Central America and the Caribbean to the equator, showing call areas, zone boundaries, prefixes and time zones, FCC frequency chart, plus useful information on each of the 50 United States and other Countries \$1.25

WORLD ATLAS — Only atlas compiled for radio amateurs. Packed with world-wide information — includes 11 maps, in 4 colors with zone boundaries and country prefixes on each map. Also includes a polar projection map of the world plus a map of the Antarctica — a complete set of maps of the world. 20 pages, size 8 ¾" x 12" \$2.50

Complete reference library of maps — set of 4 as listed above \$3.75

See your favorite dealer or order direct.

Mail orders please include 50¢ per order for postage and handling.

WRITE FOR FREE BROCHURE!

RADIO AMATEUR

callbook INC.



Dept. E 925 Sherwood Drive
Lake Bluff, Ill. 60044

QSLs CATALOG SAMPLES 35¢. Ritz Print Shop, 5810 Detroit Avenue, Cleveland, Ohio 44102.

GOOD NEWS — SRRC Hamfest June 2, 1974 at fabulous new site in Princeton Illinois Fairgrounds. SRRC-W.MKS, R.F.D. #1, Box 171, Oglesby, Illinois 61348.

TELETYPE MODEL 19 with 14TD — \$65.00; Siemens ASR teleprinter (equal to 32 ASR) — \$95.00; Model 28 stock ticker (strip printer) — \$20.00; two desk fax — both for \$15.00. Plus shipping charges. Koppelmeier, 8025 Kolmar, Skokie, Illinois 60076.

MOBILE IGNITION SHIELDING provides more range with no noise. Available most engines in assembled or kit forms, plus many other suppression accessories. Free literature. Estes Engineering, 543-H West 184th, Gardena, California 90248.

BUY-SELL-TRADE. Write for monthly mailer, give name, address, call letters. Complete stock of major brands new and reconditioned equipment. Call us for best deals. We buy Collins, Drake, Swan, etc. SSB & FM. Associated Radio, 8012 Conser, Overland Park, Kansas 66204. 913-381-5901.

SIGNAL ONE OWNERS, expert and prompt service by ex-Signal/One engineer. Also will purchase your functioning or not functioning unit or spare parts. Write or call for details. Larry Pace, K2IXP/7, 1071 W. Roller Coaster, Tucson, AZ. 85704 (602-888-5234).

STEEL RELAY CABINET RACK. 76" high x 17" deep x 22" wide. Excellent condition. Has ground buss, outlet strip, switch fuse box and screened back door for RFI. \$100.00 or best offer. Must be picked up. Harry Kundrat, 29 Walton Avenue, New Providence, New Jersey 07974, (201) 665-1873.

QSL's, Sample catalog 20¢. N & S Print, P. O. Box 11184, Phoenix, Ariz. 85061.

NEW! Solid state speech processor kit, 26 dB + compression. \$19.95 ppd. Speech Products Co., K. A. Teague, P. O. Box 65, Alma, Arkansas 72921.

LEDS, sample pack of 10, includes green and yellow. \$3.25 postpaid U.S.A. East Coast Electronics, 50 Scott St., Hamburg, N. Y. 14075.

WANTED, APRIL 1970 issue of Ham Radio. Larry D. Van Duyen, K8JBL/5, 1802 Crescent Drive, Alamogordo, N. M. 88310.

432 MHz TRANSMITTER CONVERTER, 5 watts out, 6939 mixer, 6939 amplifier and solid state LO chain. 4 1/2 x 7 1/2 cast aluminum box. Send for more information. Carmichael Communications, P. O. Box 256, Carmichael, CA 95608.

PARTS BARGAINS: Motorola HEP 170 Epoxy Diode 2.5A/1000PIV 29¢, 25.00/100; #15 copper antenna wire 1.95/C; 6x9 copper clad boards 69¢; 3/16" cable clamps 18¢; Belden, Consolidated RG8 foam coax 17¢/ft; CDE .001/10KV doorknob capacitor 1.95; Sigma 12VDC 4PDT/15A relay 3.95; Amidon toroid cores; RG63/U 15¢/ft; RG22B/U 15¢/ft; Motorola semiconductor data series 7.50; many old tubes, write needs. Monarch code oscillator module 1.50; Hammarlund variable HF50 PF 1.95; Sorensen ACR-2000VA AC regulator 150.00; Madison Electronics, 1508 McKinney, Houston, Texas 77002.

MOTOROLA PORTABLES — Expert repairs, reasonable prices, fast turn-around time. More details and flat rate catalog FREE. Ideal Services, 6663 Industrial Loop, Greendale, WI. 53129.

FREE: 18 crystals of your choice with the purchase of a new Genave GTX-200 at \$269.95. Send cashier's check or money order for same-day shipment. For equally good deals on Drake, Swan, Standard, Clegg, Regency, Hallicrafters, Tempo, Kenwood, Midland, Ten-Tec, Galaxy, Hy-Gain, CushCraft, Mosley, Sony, and Hustler, write to Hoosier Electronics, your ham headquarters in the heart of the Midwest. Become one of our many happy and satisfied customers. Write or call today for our low quote and try our individual, personal service. Hoosier Electronics, R. R. 25, Box 403, Terre Haute, Indiana 47802. (812)-894-2397.

FT101 LATE MODEL **sold** mount coax, w/CW filter, fan and 160 xtal. Telex, 4 min. make - \$30. D. Sachnoff, 9429 Ohio, Omaha, Neb. 68134.

6T-HR2

6 frequency crystal deck
Improved circuit board, layout
and foil.



INCREASES THE REGENCY HR-2 OR HR-2A RADIOS TRANSMIT CAPABILITY TO SIX ADDITIONAL FREQUENCIES. NO MAJOR CHANGE HAS TO BE MADE TO THE RADIO WHEN INSTALLING THE 6T-HR2 DECK

KIT \$ 9.95 **WIRED** \$13.95

HF144U MOS FET PREAMP



OUR FAMOUS 2-METER PRE-AMP STILL OUTSTANDING IN THE HIGH BAND PRE-AMP FIELD GIVES 17dB OF AMPLIFICATION WITH ONLY 3db OF NOISE INSERTION.

KIT \$11.95 **WIRED** \$17.95



SCAN-2

with search back

DECKS MOUNTS IN HR-2 WITH OUT ANY MAJOR MODIFICATION TO THE RADIO. GIVES USER A SCANNING TYPE RADIO AT A FRACTION OF THE COST. INCORPORATES "SEARCH BACK" A NEW AND EXCITING FEATURE TO SCANNING TYPE OPERATION.

WIRED ONLY \$19.95



WRITE FOR
FREE 1974
CATALOG



Topeka **FM** Communications and Electronics
125 Jackson, Topeka, KS 66603 • 233-7580 • 2343

WE PAY **HIGHEST**
PRICES FOR ELECTRONIC
TUBES AND SEMICONDUCTORS

H & L ASSOCIATES

ELIZABETHPORT INDUSTRIAL PARK
ELIZABETH, NEW JERSEY 07206
(201) 351-4200

25 to 75% SAVINGS
ELECTRONIC
COMPONENTS

• Rectifier Diodes and Zeners • Resistors (carbon, metal film, wire wound) • Capacitors (molded electrolytic, difilm, tubular, ceramic; electrolytic; tantalum; aluminum; polyester; mylar; disc ceramic; silver mica; specials) • Memory Chips • IC Sockets • Fuses • Pots • Drills for PC Boards • Rubber Feet

FREE, NEW CATALOG
Lists Many More at 25 to 75% Savings
PRASAD ELECTRONICS

P. O. Box 32, Addison, IL 60101

2 METER FM

only **STANDARD**
 sells more STANDARDS
 than Erickson...and here's why!

**SRC-146A
 ERICKSON
 SPECIAL**

WITH

- Charger
- "Stubby" antenna
- Leather case
- Ni-Cads
- 94/94, 34/94 and one channel of your choice

\$369 List
 -50 Package Discount

\$319 Prepaid - Cashiers
 Check or M.O.



**ERICKSON
 COMMUNICATIONS**

3501 W. Jarvis
 Skokie, Ill. 60076 (312) 677-2161

HAMFEST

WESTERN N. Y.
**HAMFEST and
 VHF CONFERENCE**

MAY 17, 18, 1974

Monroe County
 Fairgrounds
 Rt. 15A
 Rochester, N. Y.
 (Near Thruway Exit 46)

- Huge Flea Market
- Top Programs
- Award Presentations
- Friday Night Cocktails

WRITE:
**WNY HAMFEST
 BOX 1388
 ROCHESTER, N. Y.
 14603**



RTTY VIDEO DISPLAY UNIT

1000 CHARACTERS - ANY TV SET
**VIDIATYPE
 MODEL 872 \$550**
 WRITE FOR BROCHURE

LELAND ASSOCIATES
 18704 GLASTONBURY RD.
 DETROIT, MI. 48219

THE ULTRA-BAL 2000

NOW.....An extremely rugged, weather-proof BALUN!
 • Full 2KW, 3-30 MHZ., 1:1 or 1:4 ratios.
 • Special Teflon insulation. May be used with tuned lines and tuners.
 • With dipole insulator and hang-up hook.

ONLY \$9.95ppd. (state ratio)
 At your dealer or order direct

K.E. Electronics Box 1279, Tustin Calif. 92680



BARGAINS!

KLEINSCHMIDT TELETYPE EQUIPMENT

- | | |
|---|---|
| (1) TT-100 PAGE PRINTER, AS IS 60 OR 100 WPM | \$59.95 |
| (A) TT-117 PAGE PR. OR (B) TT-179 REPERF. & TD, AS IS | \$59.95 |
| ABOVE CHECKED OUT, OILED & ADJUSTED, EA | \$89.95 |
| (2) TABLE | \$19.95 (C) TABLE \$34.95 (D) COPYHOLDER \$3.95 |
| (3) PAPERWINDER | \$14.95 (4) TT-107 REPERF. ONLY \$49.95 |
| TH-5 CONVERTER TRANS/REC 100 CYCLES ADJUST TO 170 SHIFT | \$49.95 |



Andy Electronics Co., Inc.

6431 Springer Street / Houston, Texas 77017
 ALL PRICES FOB HOUSTON, TEX.

NOW

EXCLUSIVE 66 FOOT **MDR GAIN** 75 THRU 10 METER DIPOLE
 NO TRAPS - NO COILS - NO STUBS - NO CAPACITORS
 Fully Air Tested - Thousands Already in Use



IS BACK

#16 40% Copper Weld wire annealed so it handles like soft Copper wire—Rated for better than full legal power AM/CW or SSB-Coaxial or Balanced 50 to 75 ohm feed line—VSWR under 1.5 to 1 at most heights—Stainless Steel hardware—Drop Proof Insulators—Terrific Performance—No coils or traps to break down or change under weather conditions—Completely Assembled ready to put up—Guaranteed 1 year—ONE DESIGN DOES IT ALL; 75-10HD—ONLY \$12.00 A BAND!

Model 75-10HD ... \$60.00	66 Ft. ... 75 Thru 10 Meters	Model 75-40HD ... \$40.00	66 Ft. ... 75 Thru 40 Meters
Model 75-20HD ... \$50.00	66 Ft. ... 75 Thru 20 Meters	Model 40-20HD ... \$33.00	35 Ft. ... 40 Thru 20 Meters
	Model 80-40HD ... \$42.00	69 Ft. ... 80-40-15 Meter (CW)	

ORDER DIRECT OR WRITE FOR FULL INFORMATION



300H Shawnee
 Leavenworth, Kansas 66048

OR THRU YOUR FAVORITE DISTRIBUTOR

DISCOUNT PRICES PLUS FULL WARRANTY, call or write for fast quote and delivery. All items new, guaranteed. 2M: Midland 13500 15W/12CH 219.95; SB144 193.95; SB450TRC converts 2M-3/4M 149.00; Standard 826MA 299.95; Ham-M 99.00; TR44 69.95; Belden 8-wire rotor cable 10¢/ft; AR22R 31.95; CDE parts; 20% plus off Hygain, Mosley: Hygain TH6DXX 143.00; TH3MK3 124.00; 204BA 129.00; 402BA 144.00; DB10/15A 96.00; Mosley Classic 33, CL36, MCQ3B Quad; MP33. Belden, Consolidated RG8 foam coax 17¢/ft; Amphenol PL259 49¢; Guaranteed gear: Collins 75S1 345.00; SB303, filters (Mint) 350.00; Tentec 315 receiver 199.95; Cush-Craft A147-22 49.00; Dowkey 110VAC antenna relay 60 series 39.95; Johnson KW Matchbox 219.95; Triex W51 437.00; MW50 283.00; MW65 374.00; MW35 175.00; Write: Swan, Tentec, Drake, Kenwood, Electra Bearcat 2-band scanner 129.95; 1972 Radio Masters 3.50; Callbooks; free flyer. Prices collect freight. Madison Electronics, 1508 McKinney, Houston, Texas 77002. 713/224-2668; Nite: 713/497-5683.

MANUALS for most ham gear made 45/65, some earlier. Send SASE for specific quote. Hobby Industry, W0JJK, Box H-864, Council Bluffs, Iowa 51501.

LIGHTNING ARRESTORS, Joslyn DMA969 feed thru rated 10 amps, 9 kVp, 2.32 MHz. \$50.00 Vacuum capacitors: MMC1500, \$150.00; MMC3000, \$200.00; MMC 5000, \$350.00. All unused. H. G. Husbands, 6626 Talmadge, Dallas 75230.

PRINTED CIRCUIT DRILL BITS. Trumbull, 833 Balra Drive, El Cerrito, California 94530.

OUTBOARD FILTERS for Drake R4B, \$75.00. Collins R-390A IF strip, \$30.00, Drake W4 wattmeter, \$40.00. H. McDonald, 25617 Third St., Barstow, California 92311.

HIGH-PERFORMANCE H.F. SYNTHESIZER replaces VFO and delivers output 1-30 MHz continuous coverage with accuracy, stability, resolution, and calibration to one Hertz. Write for information. Petit Logic Systems, Box 51, Oak Harbor, Wa. 98277

TECH MANUALS for Govt. surplus gear, \$6.50 each: R-220/URR, R-274/FRR, R-390/URR, URM-25D, URM-32, TT-63A/FGC, TS-382D/U, USM-16, BC-779B, TS-497B/URR, LM-21, TS-34A/AP, PRC-10, GRR-5, ALR-5, TS-413A/U, ARR-7, GRC-19, TS-175/U, TS-173/UR. Thousands more available. Send 50¢ (coin) for list. W3IHD, 7218 Roanne Drive, Washington, D. C. 20021.

SEND PERFECT MORSE WITH YOUR RTTY and save over \$150 on price of a comparable Morse keyboard. TMC-1 RTTY to Morse converter connects right into your loop trouble-free and accepts input from keyboard or paper tape reader. Entire circuit including 64-letter buffer memory on one 4 x 6 inch board for \$310. Write for information. Petit Logic Systems, Box 51, Oak Harbor, Wa. 98277

HAM RADIO, every issue, 1968 thru 1973, with two binders: first money order \$65.00 postpaid; James W. Harrison, 1234 Little Bay Avenue, Norfolk, Va. 23503.

1000 PIV AT 2.5 AMP DIODES. New Motorola HEP-170. 10 for \$2.50, 100 and up 20¢ each, postpaid. K. E. Electronics, Box 1279, Tustin, California 92680.

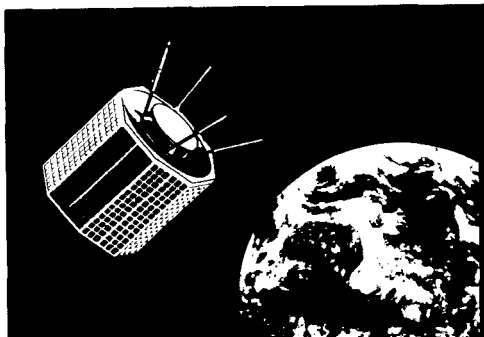
SELL: Drake R-4B RCVR and MS-4 SPKR \$350; T-4XB XMTR and AC-4 power supply \$450. Excellent condition. Frans Liem-WB8EPJ, 5732 Rosebury Dr., Dayton, Ohio 45424. Phone (513)-236-2050.

RTTY BAUDOT LOOP TO ASCII CONVERTER accepts loop signal at any RTTY speed and delivers corresponding 6 or 8 level parallel ASCII, all on one 4 x 6 inch circuit board for \$120. Petit Logic Systems, Box 51, Oak Harbor, Wa. 98277

CAPACITORS WANTED: Computer-Grade, Tantalums, Mylars, Discs. Write for top cash offer. National Electronic Supply, Dept. H1, 7231-B Garden Grove Blvd., Garden Grove, Calif. 92641. (714) 893-2900 or (213) 597-7010.

EMBROIDERED EMBLEMS AND PATCHES. Custom made from your design. 10 to 1000's. Write Russell, 1109 Turner St., Auburn, Maine 04210.

TRAVEL-PAK QSL KIT Converts photos, post cards to QSLs! Send call and 25¢ for personal sample. Samco, Box 203H, Wynantskill, N. Y. 12198.



PREPARING FOR OSCAR 7?

TX { **MMv432**
70/MBM46

144-432 MHz TRIPLER

\$75.20

432 MHz J-BEAM

\$47.50

Rx MMc 144

2-10 METER CONVERTER

\$53.70

IMPROVE YOUR RECEPTION WITH KVG CRYSTAL FILTERS

XF9A SSB	—	5 POLE	\$31.95
XF9B SSB	—	8 POLE	\$45.45
XF9M CW	—	4 POLE	\$34.25

MATCHING OSCILLATOR CRYSTALS

XF901	8998.5 kHz	USB	\$3.80
XF902	9001.5 kHz	LSB	\$3.80
XF903	8999.0 kHz	CW	\$3.80
F-05 CRYSTAL SOCKET			50¢

si

**SPECTRUM
INTERNATIONAL
BOX 1084 CONCORD
MASSACHUSETTS 01742**

Wilson Electronics Presents The Finest 2 Meter Handie Talkie
With the Hottest Rx Front End on The Market.

2 METER FM TRANSCEIVER MODEL 1402SM



FREQUENCY140 - 150 MHZ
(2 MHZ SPREAD)
NUMBER OF CHANNELS6
Supplied with 146.94 Simplex
146.34/94 - 146.16/76
R.F. Output 2 Watts minimum
Sensitivitybetter than 0.3
MV/20 DB Q.S.
Audio Output500 mv
MeterMonitors battery voltage
on Tx, S meter on Rx
Weight1 lb. 4 ounces
without
batteries
Current drain 15 MA Rx
410 MA Tx
Size 8 7/8" x 1 7/8" x 2 7/8"
Includes Adjustable Whip Ant

\$239⁰⁰ Amateur
Net Price

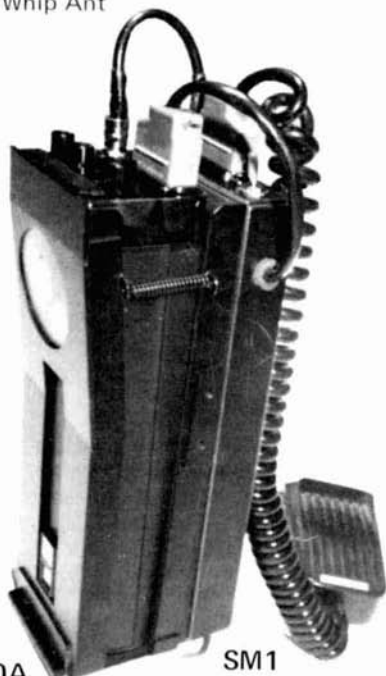
MODEL # ACCESSORIES

1410A 12 Watt Power Amplifier
Also Includes Steel Case
For 1402SM - Charges 1402 SM
When Plugged into Cigarette
Lighter **99.00**

LCL LEATHER CASE12.00
14BC BATTERY CHARGER ...29.95
SM1 SPEAKER MIKE24.00

WRITE FOR COMPLETE SPEC SHEETS.
SEE YOUR NEAREST DEALER FOR
THE FINEST AMATEUR HANDIE
TALKIE ON THE MARKET

DEALER INQUIRIES INVITED
COMMERCIAL VERSION AVAILABLE **1410A**



Wilson Electronics

P.O. Box 794

Henderson, Nevada 89015

Telephone (702) 451-5791 451-6650

WE BUY ELECTRON TUBES, diodes, transistors, integrated circuits, Semiconductors, Astral Electronics, 150 Miller Street, Elizabeth, New Jersey 07207, (201) 354-2420.

WANTED — Technical manual for R-278B/GR military receiver, WB5AYZ, 1013 Indiana St., S.E., Albuquerque, N. M. 87108.

USED MYLAR TAPES — 1800 foot. Ten for \$8.50 postpaid. Fremmerman, 4041 Central, Kansas City, Mo. 64111.

SELL CHEAP: Eico #369 sweep-gen., panel meters, vacuum-caps, I.C.'s. S.A.S.E. for listing, Samkofsky, 4803 Brenda Drive, Orlando, Florida 32806.

VERY in-ter-est-ing! Next 5 big issues \$1. "The Ham Trader," Sycamore IL 60178

STANDARD 146-A (1-2) \$238.70, (3-11) \$212.30, Nicad batteries \$1.58, Stubby antenna \$5.00. Standard 826MA (1-2) \$324.50, (3-11) \$306.90. Standard 851T 25 watt mobile \$420.20. Standard RTP-1 repeater \$600.00. HM-175 antenna \$16.00. Base station antenna HM-191 8.25 dB (list \$169.50) net \$119.95. Send check and we'll pay postage or we will ship COD. Electronics Communications Co., P. O. Box 17222, Nashville, Tenn. 37217 (24 hr.) 615-834-8999.

CALCULATOR OWNERS: Use your \pm X \div calculator to compute square roots, cube roots, sin(X), cos(X), tan(X), arcsin(X), arccos(X), arctan(X), logarithms, exponentials, and more! Quickly, Accurately, Easily! Send today for the Improved and Expanded Edition of the first and best calculator manual — now in use throughout the world . . . only \$2.00 postpaid! Be sure to try this manual before buying a more expensive calculator — Absolutely Unconditional Money-back Guarantee — and Fast service! Mallman Optics and Electronics, Dept.-H, 836 South 113, West Allis, Wisconsin 53214.

QRP TRANSMATCH for the HW7 and other rigs. Write Peter Meacham Associates, 19 Loretta Road, Waltham, Mass. 02154.

DAYTON HAMVENTION expands to three days April 26, 27, 28, 1974 at HARA Arena and Exhibition Center. Brochures mailed March 15th. Write for information if you have not attended the last two years. P. O. Box 44, Dayton, Ohio 45401.

TEN TEC ARGONAUT with AC supply, \$190. Two-er, \$20. ARR-7, \$25. 15/20/75 Hustler, \$20. HP-10, \$30. Terry Welch, K4IQT, 615-968-8152 weekdays.

TELETYPEWRITERS — Kleinschmidt — portable, fixed, sets, punches, parts, reconditioned, reasonable. Mark/Space Systems, 3563 Conquista, Long Beach, Calif. 90808. 213-429-5821.

DRAKE R4A, mint, late model - \$245 postpaid, firm. Heath SB301 and SB401 combo in excellent condition - \$395 postpaid, firm. CW and AM filters included with SB301. Sam Leslie, W4EGY, 1307 E. Esther St., Orlando, Fla. 32806, (305) 898-9413.

FIGHT TVI with the RSO Low Pass Filter. For brochure write: Taylor Communications Manufacturing Company, Box 126, Agincourt, Ontario, Canada. MIS 3B4.

REGENCY HR-2A, 2m Xcvr. Serial no. 04-05632. Stolen from my home QTH 12 December 1973. JoAnne E. Moore, W8NSU, 112 Seward #307, Detroit, Mich. 48202.

HOME BREWERS: Stamp brings list of high quality components. CPO Surplus, Box 189, Braintree, Mass. 02184.

WANTED — TUBES, 4-1000A, 3-1000Z, 3-400Z, 4-400A, 4CX1000A, 4-250A, 4-125A, 813, 811A. All letters answered. WB2PTI, Michael D. Harrison, 431 Windsor Pl., Oceanside, L. I., N. Y. 11572. (516) 536-5320.

HAM RADIO, complete run wanted; sell complete run, 73. K8JLK.

FOR SALE: Drake 2NT xmtr, Heathkit VFO, one year old, perfect, \$140. Write or call, Richard Newman, 2 Clinton St., Milford, Connecticut 06460. 203-877-2205.

YOUR AD belongs here too. Commercial ads 35¢ per word. Non-commercial ads 10¢ per word. Commercial advertisers write for special discounts for standing ads not changed each month.

World's Most Advanced STATE-OF-THE-ART TRANSCEIVER



THE TRITON by TEN-TEC

TOTAL SOLID STATE
HF TRANSCEIVER



Available ANYWHERE IN THE WORLD directly from

ELECTRONIC DISTRIBUTORS, INC.

—Communication Specialists for over 35 years—

1960 Peck St., Muskegon, Michigan 49441

Tel. (616) 726-3196

Telex 228-411

FREE CATALOG

CRAMMED WITH GOVT SURPLUS
ELECTRONIC GEAR **WRITE TODAY!**

TG-34A CODE KEYS self-contained, automatic,

reproduces code practice signals from paper tape.

5 to 12 WPM Built-in speaker. Brand new with tech

manual, takeup reel and AC line cord. **\$24.50**

Code practice tapes for above P.U.R.



BC-1206-C RECEIVER Aircraft Beacon Re-

ceiver 200 to 400 Kc. Operates from 24V DC 1.5A.

Continuous tuning, vol. control, on-off switch and

phone jack. Very sensitive. Compact.

Complete with tubes, NEW

\$12.50



BC-603 FM RECEIVER

Converted for 35-50 MHz. 10 preset pushbutton

channels or manual tuning. Complete with

10 tubes, checked out, like new **\$34.50**

AC Power Supply, New \$14.95

DM-34 12V Power Supply, New \$ 4.45

DM-36 24V Power Supply, Exc. Used \$ 2.25

Technical Manual \$ 2.50

Set of 10 tubes for BC-603 Receiver \$ 5.95



BC-604 FM TRANSMITTER 20 to 27.9 Mc.

Output approx. 30 watts. 10 crystal controlled

channels. Complete with tubes.

NEW

\$8.50



G&G RADIO ELECTRONICS COMPANY

45-47 Warren St. (Dept. H-M) New York, N.Y. 10007 212-267-4605

TERMS: F.O.B. NYC 25¢ deposit with order, balance COD or remittance in full. MINIMUM ORDER \$5.00. Subject to prior sale and price change.

FM YOUR GONSET

(for your Clegg 22'er, Poly Comm 2, PC 62, Johnson 6N2, Aerotron 500, HA 460, TX 62 or VHF 1)

- New! Plug-in modulator puts the Communicator transmitter on FM.
- No modification or rewiring on your Communicator. Just plug into mike jack and crystal socket.
- Compact self-contained modulator measures 4" x 3" x 1½".



- Works with Communicator I, II, III, IV and GC-105, and other rigs listed.
- FM at a tenth the cost of a new rig.
- Frequency adjust for netting built in.
- \$34.50 postpaid U.S.A. \$36.50 for PC-2, PC-62, HA-460. Specify transmitter model. California residents add 5% sales tax. (HC-6/U crystal and 9 volt transistor battery not supplied.)
- Send for free descriptive brochure.

PALOMAR ENGINEERS

BOX 455, ESCONDIDO, CA 92025

WANTS TO BUY

All types of military electronics equipment and parts. Call collect for cash offer.

SPACE ELECTRONICS division of MILITARY ELECTRONICS CORP.

76 Brookside Drive, Upper Saddle River
New Jersey 07458 • (201) 327-7640

LOWER PRICES

Two models

AC1



TIME TELLER

DX Operating Aid

MC1

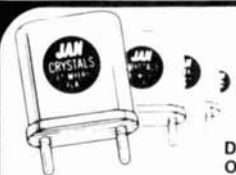
A turn of knob and 2-color drum dial shows time your QTH and corresponding local time in all zones ... also GMT. Both models feature 2-color map panel of enamel on aluminum 9" in length.

MODEL	AMATEUR NET
MC1 Unfinished mahogany cabinet	\$9.90
AC1 Polished acrylic cabinet	14.75

Add \$1.25 for mailing cost

U-J
Industries

6605 Shoal Creek Blvd.
Austin, Texas 78757



For FREQ. STABILITY

Depend on JAN Crystals. Our large stock of quartz crystal materials and components assures Fast Delivery from us.

CRYSTAL SPECIALS

2-METER FM for most Transceivers ea. \$3.75
144-148 MHz — .0025 Tol.

Frequency Standards
100 KHz (HC 13/U) 4.50
1000 KHz (HC 6/U) 4.50

Almost all CB Sets, Tr. or Rec. 2.50
(CB Synthesizer Crystal on request)

Any Amateur Band in FT-243 1.50
(80-meter, \$3.00 - 160-meter not avail.) 4 for 5.00
For 1st class mail, add 20¢ per crystal. For Airmail, add 25¢. Send check or money order. No dealers, please.



Division of Bob Whan
& Son Electronics, Inc.
2400 Crystal Drive
Fl. Myers, Florida
33901

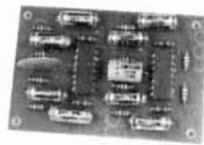
All Phones
(813) 936-2397

Send 10¢ for new catalog with 12 oscillator circuits and lists of frequencies in stock.

CW FILTER



New Model CWF-2BX—\$19.95
Ready to use Please include
\$1.00 postage.



Model CWF-2—\$12.95, Kit
\$14.95 Wired, tested, guaranteed
Please include 55¢ postage

- Get Razor Sharp selectivity from any receiver or transceiver.
- Extremely high skirt rejection.
- Drastically reduces all background noise.
- No audible ringing.
- No impedance matching.
- Ultra modern active filter design uses IC's for super high performance.

We have what we think is the finest CW filter available anywhere. The 80 Hz selectivity with its steep sided skirts will allow you to pick out one signal and eliminate all other QRM and QRN. Simply plug it into the phone jack or connect it to the speaker terminals of any receiver or transceiver and use headphones, small speaker or speaker amplifier. Better yet, connect it between any audio stages to take advantage of the built in receiver audio amplifier.

Build the 2 x3" CWF-2 PC card into your receiver or get the self contained and ready to use CWF-2BX and plug in!

SPECIFICATIONS

BANDWIDTH: 80 Hz, 110 Hz, 180 Hz (5-switch selectable)
SKIRT REJECTION: At least 80 dB (5-switch selectable) octave from center frequency for 80 Hz bandwidth
CENTER FREQUENCY: 750 Hz
INSERTION LOSS: None. Typical gain 1.2 at 180 Hz BW, 1.5 at 110 Hz BW, 2.4 at 80 Hz BW
INDIVIDUAL STAGE Q: 4 (minimizes ringing)
IMPEDANCE LEVELS: No impedance matching required
POWER REQUIRED: CWF-2 2-5 volts (2 ma) for 30 volts (5 ma) 1. CWF-2BX standard 9 volt transistor radio battery
DIMENSIONS: CWF-2 2 x3" PC board CWF-2BX 4 x3 1/4" x2 3/16" (black anodize steel top, white aluminum bottom, rubber feet)

TRY this fantastic CW filter. If you don't think it is the best you have ever used, ask for your money back. We will cheerfully refund it. These filters carry a full one year warranty.

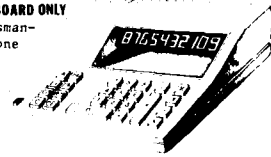
Write for FREE brochures and magazine test reports. Offer IC active filters available. CW mini filter (1" x 2"), low pass, high pass, and wide bandpass filters. Audio amplifiers ... 1, 2 watts. Crystal calibrator

MFJ ENTERPRISES

P. O. Box 494-A, Mississippi State, MS 39762

TABLE TOP CALCULATOR CASE & KEYBOARD ONLY

Attractively designed? Excellent craftsman-ship. Case and keyboard (designed as one unit). Cabinet is made of high-impact plastic beige color with black bezel and amber window. Keyboard consists of a 3-position slide switch and 25 keys, 5 of which are used for memory function. 20 keys gray, 5 keys orange. All keys mounted on one printed circuit board. This modular unit is well suited for our calculator chips. **Ideal for the CT5005. Case and Keyboard Complete: ONLY \$29.95**



RCA NUMITRON

EACH.....\$ 5.00

SPECIAL: 5 FOR \$20.00



3-CHIP CALCULATOR

This calculator set provides all of the electronics for an 8-digit, floating point calculator with left-hand entry. Keyboard, display, clock generator, and display driver is all that need be added to make a calculator that will add, subtract, multiply and divide. Overflow and negative signals are also provided. Complete instructions to build a calculator included.

CHIPS AND DATA.....\$8.95
DATA ONLY (Refundable).... 1.00

CT5005 CALCULATOR

This calculator chip has a full four-function memory, which is controlled by four keys, **M** (adds entry into memory), **-M** (subtracts entry from memory), **CM** (clear memory, without clearing rest of registers), **RM** (read memory or use as entry).

12-Digit display and calculate
Late
Fixed decimal at 0, 1, 2,
3, 4, or 5

Leading zero suppression
7-Segment multiplexed output
True credit sign display

Single 28-pin chip

CHIP AND DATA.....ONLY \$9.95
DATA ONLY (Refundable)..... 1.00

5001 CALCULATOR

40-Pin calculator chip will add, subtract, multiply, and divide. 12-Digit display and calculate. Chain calculations. True credit balance sign output. Automatic over-flow indication. Fixed decimal point at 1, 2, 3, or 4. Leading zero suppression. Complete data supplied with chip.

CHIP AND DATA.....ONLY \$9.95
DATA ONLY (Refundable)..... 1.00

All ICs are new and fully-tested; leads are plated with gold or solder. Orders for \$5 or more will be shipped prepaid. Add 35c for handling and postage for smaller orders; residents of California add sales tax. IC orders are shipped within 2 workdays--kits are shipped within 10 days of receipt of order. \$10.00 minimum on C.O.D.s (phone in).

MAIL ORDERS:

P. O. Box J 4811 Myrtle Ave.
Carroll, CA Sacramento, CA
95608 (916) 334-2161

MONEY BACK GUARANTEE ON ALL GOODS!
SEND FOR FREE FLYER LISTING 100's OF MONEY-SAVING BARGAINS!

**BABY-NOV
ELECTRONICS**

LED's

MV50 red emitting \$.25
10-4 ma @ 2V 5 FOR 1.00

MV5024 red TO-18 \$.75
high dome 10 FOR 6.50

MVI08 visible red \$.30
5-7 ma @ 2V 10 FOR 2.50

SPECIAL 874

256-BIT RANDOM ACCESS MEMORY
TTL bi-polar fully-decoded 256 x 1 bit:

- Single 5V supply
- 80 NS access time
- Simple memory expansion thru 3-chip select lines

Data with chip. 16-Pin DIP.
\$5.00 10 FOR \$39.95

3-Amp Power Silicon Rectifiers Marked Epoxy Axial Package

PRV	PRICE	PRV	PRICE
100.....	\$.10	800.....	\$.30
200.....	.15	1000....	.40
400.....	.18	1200....	.50
600.....	.23	1500....	.65

CMOS

CD4001 \$.75	CD4023 \$.75
CD4002 .75	74C00 .75
CD4010 1.00	74C20 .75
CD4011 .75	74C160 3.25
CD4012 .75	

7400 Series DIP

7400 \$.25	74L51 \$.30
74H00 .35	74H51 .35
7401 .25	7453 .20
7402 .35	7454 .25
74H01 .35	74L54 .35
7403 .30	74L55 .35
7404 .28	7460 .20
74H04 .35	74L71 .30
7405 .28	7472 .40
7406 .70	74L72 .50
74H05 .35	7473 .60
7408 .35	74L73 .75
74H08 .35	7474 .65
7410 .25	74L74 .80
74L10 .35	74H74 .80
74H11 .35	7475 1.40
7413 1.25	7476 .60
7417 .40	74L78 .80
7420 .25	7480 .65
74L20 .35	7483 1.00
74H20 .35	7489 4.00
74H22 .35	7490 1.20
7430 .25	7491 1.00
74H30 .35	7492 .90
74L30 .40	7493 1.15
7440 .25	7494 1.15
74H40 .35	7495 1.15
7441 1.25	74L95 2.00
7442 1.20	74I21 1.25
7446 1.20	74I23 1.50
7447 1.20	74L54 2.30
7448 1.00	74L61 2.00
7450 .25	74L63 2.00
74H50 .35	74L93 1.50
7451 .25	74L95 1.00

RECTIFIERS

VARO FULL-WAVE BRIDGES		
V5447 2A	400V	\$.90
V5647 2A	600V	1.10
MR810 Rect.	50V 1A	.10

Special 811: Hex Inverter

TTL DIP Hex Inverter; pin interchangeable with SN 7404. Parts are brand new and are branded Signetics and marked "811."

Data	EACH.....\$.30
Sheet	10 FOR..... 2.50
Supplied	100 FOR..... 23.00
	1000 FOR... 220.00



0-9 plus Letters. MAN 3M

Right-hand decimal point. Flat-pack type case. Long operating life. IC vol- EACH \$2.50
tag requirements. Ideal 10 OR MORE 1.90
for pocket calculators! W/O DECIMAL 1.50



MAN4 Seven-segment, 0-9 plus letters. Right-hand decimal point. Snaps in 14-pin DIP socket or Molex. IC voltage requirements. Ideal for desk or pocket calculators!

EACH.....\$2.75
TEN OR MORE 2.50 EACH



CD-2 Counter Kit

This kit provides a highly sophisticated display section module for clocks, counters, or other numerical display needs. The unit is 8" wide and 4 3/8" long. A single 5-volt power source powers both the ICs and the display tube. It can attain typical count rates of up to 30 MHz and also has a lamp test, causing all 7 segments to light. Kit includes a 2-sided (with plated thru holes) fiberglass printed circuit board, a 7490, a 7475, a 7447, a DR 2010 RCA Numitron display tube, complete instructions, and enough Molex pins for the ICs. NOTE: boards can be supplied in a single panel of up to 10 digits (with all interconnects); therefore, when ordering, please specify whether you want them in single panels or in one multiple digit board. Not specifying will result in shipping delay.

COMPLETE KIT,

ONLY \$11.95

FULLY-ASSEMBLED

UNIT \$13.00

Boards can be supplied separately @ \$2.00 per digit.



LINEARS

NE540 70-watt power driver amp.....	\$2.00
NE555 precision timer.....	1.50
NE560 phase lock loop DIP.....	3.25
NE561 phase lock loop DIP.....	3.25
NE565 phase lock loop TO-5.....	3.25
NE566 function generator TO-5.....	4.00
NE567 tone decoder.....	4.00
NE5558 dual 741 op amp MINI DIP.....	1.00
709 popular op amp DIP.....	.45
710 voltage comparator DIP.....	.75
711 dual comparator DIP.....	.40
723 precision voltage regulator DIP.....	1.00
741 op amp TO-5/MINI DIP.....	.55
747 dual 741 op amp DIP.....	1.00
748 op amp TO-5.....	1.00
CA3018 2 isolated transistors and a Darling- ton-connected transistor pair.....	1.00
CA3045 5 NPN transistor array.....	1.00
CA3026 dual differential amp.....	1.00
LM100 positive DC regulator TO-5.....	1.00
LM105 voltage regulator.....	1.25
LM302 op amp voltage follower TO-5.....	1.25
LM307 op amp.....	.50
LM308 op amp TO-5.....	2.00
LM311 comparator TO-5.....	1.75
LM370 AGC amplifier.....	2.00
LM703 RF-IF amp epoxy TO-5.....	.45
LM309K 5V-1A power supply module TO-3.....	2.00
LM3900 quad op amp.....	2.00
LM1595 4-quadrant multiplier.....	2.00
8038 sine square triangle function generator.....	4.95

RECEIVERS, OK GRTD, WITH BOOKS:

SP-600-JX: AM, CW, 0.54-54 MHz continuous	275.00
R388/URR: AM, CW, 1/2-30 1/2 MHz linear dial, PTO	325.00
R390A/URR: 1/2-32 MHz by digits, PTO tuning	595.00
AN/FRR-59B (later version WRR-2): 2-32 MHz digital tune each 500 Hz or continuous. A1, 2, 3, 9, F1, 4. FSTTY, SSB, carrier suppressed, either band or both for 2 different intelligences. Stable and accurate enough to use as freq. meter! Net wt. 276 lbs. in 2 cabinet in rack cradle	750.00
WWVB 60 KHz rcvr/comparator	295.00
WWVB 1 KHz tones, use to calib. 100 KHz	175.00
38-1000 MHz by Band Switching, 4 bands: Separate antenna for each band. AN/ALR-5 modified for 117 v 50/60 cy line. AM/FM. The Tuner is a plug-in converter; the receiver is 30 MHz IF and all that follows IF. Choose selectivities 200 KHz or 2 MHz each side of center. Factory checkout sheet, typical for the original-pack tuner you get, says sensitivity ranges from 1.1µV at 28 MHz to 7 at 1 GHz. IF attenuator is calibrated in 6 dB steps to -74 dB. Diode current meter makes this rcvr useful for relative field strength measurements and harmonic finder. Rcvr unit is exc. used and checked out OK	375.00
30 MHz PANADAPTER may be useful with above	295.00
A.I.L. #132 30 MHz rcvr/amplifier/atten. calib.	99.50
EDDYSTONE AM/CW/FM/NB/FM 19-165 MHz rcvr	295.00
CV-591A: SSB Converter either sideband	137.50
MOTOROLA 3 MHz OSCIL. 5 parts in 10 to 11th	199.50

Attention!

Buyers, Engineers, advanced Technicians:

We have the best test-equipment & oscilloscope inventory in the country so ask for your needs . . . don't ask for an overall catalog . . . we also buy, so tell us what you have. Price it.

R. E. GOODHEART CO. INC.

Box 1220-HR, Beverly Hills, Calif. 90213
Phone: Area Code 213, Office 272-5707



MODEL "A" Frequency Counter Price \$299.00

10Hz to 80 MHz (± 1 Hz) Direct Count guaranteed (1Hz to over 100MHz) typical)

Read Out: 5 LED digits + LED Over Range Sensitivity: Less than 100 millivolts over entire range.

Power Req.: Either 120 VAC or 12 VDC 15 watts approx.

Small Size: 2.34" x 5.68" x 8.18"

Overload protected input and DC power input.

MODEL "AS" Frequency Counter Price \$375.00

Exactly as above plus an internal 250MHz

Scaler (± 10 Hz to well over the guaranteed frequency of 250 MHz.) No external power is required.

Shifting DECIMAL POINT gives a DIRECT

READOUT of VHF Frequencies.

One BNC INPUT for both ranges. No cable

changing from HF to VHF.

(CA residents add State Sales Tax)

Dealer inquiries invited



ELECTRONICS

P.O. BOX 1672
VISTA, CA. 92083
714-726-1313

NEW - 440 MHz PREAMPS

\$54.95

POSTPAID

432PA-1



Two stage preamps use KMC Bipolar and Mosfet Transistors. 20db gain, 20 MHz bandwidth. These are high quality preamps suitable for the most demanding applications. AC models have die cast case, others have metal enclosure.

432PA	3.5db NF	12VDC	\$29.95
432PA-1	3.5db NF	117VAC	\$54.95
432PC	1.5 to 2.0db NF	12VDC	\$69.95
432PC-1	1.5 to 2.0db NF	117VAC	\$94.95

JANEL
LABORATORIES

P. O. BOX 112
SUCCASUNNA, N. J. 07876
201-584-6521

FM Schematic Digest

A COLLECTION OF
MOTOROLA SCHEMATICS

Alignment, Crystal, and Technical Notes
covering 1947-1960

136 pages 11 1/2" x 17" ppd \$6.50

S. Wolf

P. O. Box 535

Lexington, Massachusetts 02173

BROADBAND AMPLIFIERS, for amateur, MATV, CATV and commercial use

We offer a quality line of low noise, low IMD amplifiers covering the region from 2 MHz to 1.5 GHz. For communication use, simple filters at the input will yield coverage of the bands of your choice. Where remote location is necessary to offset line losses, coax powered versions are available with adapters or power supplies.



Depending upon model, gain to 50dB, flatness to ± 1 dB and Noise Figure less than 3 dB may be selected. Operation is from 12 to 15 volts d-c or 115 volts a-c. PIN diode protection for incident power to 25 watts is available. Prices vary from \$30 to \$130 depending upon model and options. Warranty is for one year on all parts and labor.

RADIATION DEVICES CO., P. O. Box 8450, Baltimore, Md. 21234

Please write for information on our other products including RF Multimeters, VSWR Bridges, Detectors, L-C, Crystal and Tunable Active Peak-N-Notch Filters.

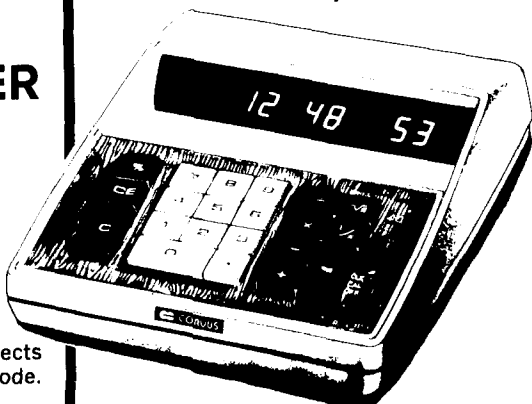
THE TIME THE DATE AND THE ANSWER

10-DIGIT DESK CALCULATOR WITH DIGITAL CLOCK AND CALENDAR

- ✓ Convenient keyboard switch selects calculator or clock/calendar mode.
- ✓ In clock position, hours, minutes and seconds are displayed in alternating sequence with the month and day.
- ✓ Automatic day update, automatic month update.
- ✓ Keeps perfect time even when turned off.
- ✓ Seven powerful functions including add, subtract, divide, multiply, reciprocal, square root and percent.
- ✓ Two, four or floating decimal, floating negative sign.
- ✓ Automatic constant on five functions, non-interfering keyboard for speed entries.
- ✓ One year full warranty.

ORDER MODEL — 305

\$99.95



CORVUS
ELECTRONIC CALCULATORS

Who is Corvus?

CORVUS is a wholly-owned subsidiary of MOSTEK Corporation — the first company in the world to introduce the now famous single-chip calculator integrated circuit. The MOSTEK innovation has virtually revolutionized the calculator industry allowing noiseless, compact design and portable operations. TUCKER says — try the 305 for 30 days — if you don't agree it's the best, return it for full credit.

Mail to:

TUCKER ELECTRONICS CO., P.O. Box 1050, Garland, TX 75040
or CALL TOLL FREE 800-527-4642 (in Texas call 214-348-8800)

Please send me _____ 305 Calculators at \$99.95 each plus \$2.76 for shipping and handling. (Residents of California, Illinois, New Jersey and Texas add 5% tax.)

Bill my Master Charge BankAmericard American Express

Card No. _____

Name _____

Expiration Date _____

Address _____

Signature _____

Check Enclosed

Ship COD

City/State _____ Zip _____

Advertisers check-off

... for literature, in a hurry —
we'll rush your name to the companies
whose names you "check-off"

Place your check mark in the space between
name and number. Ex: Ham Radio 234

INDEX

A-5 ___ 181	Linear ___ 081
Amtech ___ 006	Logic ___ 133
Andy ___ 007	MFJ ___ 082
Antenna Design ___ 211	Martex ___ 197
Babylon ___ 014	Matric ___ 084
Barry ___ 016	McClaren ___ 155
Catronics ___ 189	Meshna ___ 085
Columbia ___ 212	Mor-Gain ___ 089
Communications Specialists ___ 030	Motorola ___ 160
Curtis ___ 034	Nurmi ___ 090
Cush Craft ___ 035	Nye ___ 214
Data ___ 037	Palomar ___ 093
Drake ___ 039	Pemco ___ 095
Dycomm ___ 040	Prasad ___ 215
Dynamic Elect. ___ 041	Poly Paks ___ 096
ECM ___ 190	Prof. Elect. ___ 140
E & L ___ 182	RP ___ 098
Eimac ___ 043	Racom ___ 097
Electronic Dist. ___ 044	Radiation Devices ___ 099
Epsilon ___ 046	Callbook ___ 100
Erickson ___ 047	Raytheon ___ 101
Exceltronics ___ 139	Regency ___ 102
Fair ___ 048	Rochester ___ 217
G & G ___ 051	Savoy ___ 105
Gateway ___ 052	Singer ___ 219
Glade School ___ 213	Space-Military ___ 107
Global ___ 053	Specialty Prod. ___ 216
Goldstein's ___ 130	Spectronics, FM ___ 191
Gray ___ 055	Spectrum ___ 108
Gregory ___ 201	Star-Tronics ___ 110
H & L ___ 056	Swan ___ 111
HR Books ___ 150	Teledyne ___ 218
HAL ___ 057	Teletron ___ 188
Henry ___ 062	Ten-Tec ___ 114
Hobby ___ 063	Topeka FM ___ 115
House of Dipoles ___ 036	Tri-Ex ___ 116
Icom ___ 065	Tri Tek ___ 117
International Crystal ___ 066	Tristao ___ 118
International Elect. Unltd ___ 141	Tucker ___ 113
Jan ___ 067	U J ___ 119
Janel ___ 068	VHF Engineering ___ 121
Jeff-Tronics ___ 069	Venus ___ 192
K. E. ___ 374	Weinschenker ___ 122
KLM ___ 073	Wilson ___ 123
KRP ___ 074	Wolf ___ 124
Larsen ___ 078	World QSL ___ 125
Leland ___ 193	Y & C ___ 126
	Yaesu ___ 127

Limit 15 inquiries per request.

March 1974

Please use before April 30, 1974

Tear off and mail to
HAM RADIO MAGAZINE — "check off"
Greenville, N. H. 03048

NAME.....

CALL.....

STREET.....

CITY.....

STATE.....ZIP.....

Advertisers iNdex

A-5 Magazine	70
ATV Research	84
Amtech	70
Andy Electronics	86
Antenna Design Co.	78
Babylon Electronics	91
Barry	96
Catronics	74
Columbia Electronics Sales, Inc.	70
Communications Specialists	84
Curtis Electro Devices	33
Cush Craft	65
Data Engineering	2
Drake Co. R. L.	75
Dycomm	66
Dynamic Electronics	66
ECM Corporation	66
Eimac, Div. of Varian Assoc.	Cover IV
Electronic Distributors, Inc.	89
Epsilon Records	66
Erickson Communications	86
Exceltronics Research Labs	74
Fair Radio Sales	89
G & G Radio Supply Co.	68
Gateway Electronics	78
Glade Valley School Radio Session	80
Global Import Co.	78
Goldstein's	92
Goodheart Co., Inc. R. E.	76
Gray Electronics	63
Gregory Electronics	85
H & L Associates	80
HR Books	68
HR Report	69
HAL Communications Corp.	48
Ham Radio	Cover III
Henry Radio Stores	74
Hobby Industry	80
House of Dipoles	71
Icom	79
International Crystal Mfg. Co. Inc.	90
International Electronics Unlimited	92
Jan Crystals	80
Janel Labs	86
Jeff-Tronics	70
K. E. Electronics	84
KLM Electronics	59
KRP Electronic Supermart, Inc.	86
Larsen Electronics	72
Leland Associates	74
Linear Systems, Inc.	90
Logic Newsletter	74
MFJ Enterprises	74
Martex Corporation	78
Matric	72
McClaren	82
Meshna, John Jr.	86
Mor-Gain, Inc.	62
Nurmi Electronic Supply	90
Nye, William M. Co. Inc.	70
Palomar Engineers	85
Pemco	77
Prasad Electronics	72
Poly Paks	76
Professional Electronics	80
RP Electronics	92
Racom Electronics Inc.	86
Radiation Devices	61
Radio Amateur Callbook, Inc.	68, 84
Raytheon Company	5
Regency Electronics, Inc.	60, 61
Rochester Hamfest	86
Savoy Electronics	Cover II
Space-Military Electronics	90
Specialty Products	80
Spectronics, FM	53
Spectrum International	87
Star-Tronics	70
Swan Electronics	21
Ten-Tec, Inc.	95
Topeka FM Communications & Electronics	85
Tri-Ex Tower Corp.	49
Tri Tek, Inc.	66
Tristao Tower Co.	72
Tucker Electronics	93
U J Industries	90
VHF Engineering, Div. of Brownian Elect. Corp.	81
Venus Scientific	1
Weinschenker, M.	64
Wilson Electronics	41, 88
Wolf, S.	92
World QSL Bureau	84
Y & C Electronics	92
Yaesu Musen USA	67

THE

Triton



The TRITON is a One-of-a-Kind HF transceiver, totally solid state including the final amplifier. The new generation that does more things better than ever before.

One, you can change bands instantly. Just turn the band switch—and go!

Two, there is less internal heat to prematurely age components and no high voltage to break down insulation or cause accidental shock.

Three, it has ample reserve power to run at full rating even for RTTY or SSTV without limit. Great for contests or emergency service.

Four, it is light and compact with a detachable AC power supply to work directly from 12 VDC—For mobile operation without tedious installation.

Five, the TRITON is a delight to operate. SSB is clean, crisp and articulate.

Amplified ALC puts all available speech power into the antenna without splatter. CW is wave-shaped to cut through QRM and pile-ups. Instant break-in (not "semi" which really isn't break-in) lets you monitor the frequency while transmitting.

And six, a lot more goodies such as excellent dial illumination, plug-in circuit boards, offset tuning, built-in SWR bridge, speaker, crystal calibrator, snap-up anti-parallelax front feet, light indicators for offset and ALC, direct frequency readout, WWV, entire 10 meter band coverage—and a lot more.

The TRITON brings together all that is new and exciting in Solid State for your greater enjoyment of Amateur Radio.

TRITON I 100 watts input.....	\$519.00
TRITON II 200 watts input.....	606.00
Model 251 Supply for TRITON I.....	69.00
Model 252 Supply for TRITON II....	89.00

We'll be happy to send you full information.

TEN-TEC, INC.
SEVIERVILLE, TENNESSEE 37862

Miscellaneous from Barry

NPC POWER SUPPLIES	
115 VAC input - 12 VDC 4 amps out	\$24.95
Same as above but regulated	\$34.95
115 VAC input - 12 VDC 10 amps out	\$54.95
C.D. TR-44 Rotators	new, complete, \$69.95
Cable for Ham-M & TR-44	14¢/ft.
Collins 152-J1 Phone Patch	\$24.95
Erie feed thru ceramic capacitors, 1500 pf with hardware	70¢
Victoreen Radiological Survey Meter with 20 uA meter.	
Original box, unused	\$19.95

C.D.
Ham-M Rotators
 new, complete
\$99.95

B & W WATERS Model 334-A

DUMMY LOAD, WATTMETER,
 ONE KW

\$139.95

PREPAID

TMC RF Master Oscillator. 2-64 Mcs on harmonics, relay rack mount excellent, \$150.00
 new, \$195.00

Tube Headquarters. Diversified Stock. Heavy inventory of Eimac tubes, chimneys, sockets, etc. 572B \$17.50

Dycomm Super Block. Input 2-35 watts, Output 10-80 watts \$149.95

FM from Barry

IC-22 22 channel, 2 meter transceiver. Very hot receiver, 10 watts out \$289.00

IC-230 by Inoue

Completely synthesized with phase locked loop, Single Knob Control, Smart compact styling

\$489.00

Clegg FM-27B, 146-148 Mc coverage without buying a crystal. Fully synthesized 25 w. out \$479.95

Clegg PS-011 AC power supply for FM-27B \$79.95

Shipping prepaid on all FM-27B's

Tempo TPL 1002-3, 2-meter amplifier. 10 watts in, 130 watts out \$220.00
 Drake TR-72, 2-meter FM transceiver, 23 channels, 1 or 10 watts output, 13.8 volts \$320.00
 GE Model YGS-3 FM signal gen. 1-150 Mc, excellent, no manual \$200.00
 SBE-450 TRC Transverter, 2 meters in, 450 Mcs out \$179.95

See Barry for Receivers

Hammarlund HQ-180 with SSB	\$225.00
Hallicrafters SX-100 with SSB	\$100.00
Hallicrafters SX-110 gen. coverage	\$99.95
Heath SB-301 with SB-620 Scanalyser and SB-600 Speaker	Write
National NC-88 General Coverage with band spread for ham bands. 80 meter band needs repair	fairly good, \$55.00
Motorola R-220 20-220 Mcs. All Modes:	Write

HF Gear from Barry

Hallicrafters FPM-300 Safari. 5 bands 80-10 meters	
Shipping Prepaid	net \$625.00
A Free Hustler 4BTV Vertical Antenna with every FPM 300	regular price \$49.95
Famous Triton-II by Ten-Tec. Fully solid-state, 200 watt transceiver. 5 bands - full break in on CW \$606.00	
Ten-Tec 252 AC Power Supply	\$89.00
Ten-Tec Model 315 Receiver	\$229.00
CW Filter	\$14.95
Drake TR-4C Transceiver	new, \$599.95
AC-4 Power Supply	\$99.95
Drake R4-B Super Mint, Extra Crystals	Write
Collins 30L-1 Linear Amplifier	good, \$375.00
Collins 312B-4 Station Control	good, \$149.00
Collins 312B-5 Station Control	Write

VENUS SS-2
Slow Scan Monitor
\$349.00

VENUS C1
Fast Scan/Slow Scan
Camera & Converter
 Micro focus 1/4 inch to infinity
 Bar Generator, Reversal
\$469.00

Barry Now Stocks Bogen, Electrovoice & University. Call or Write.

CASH PAID . . . FAST! For your unused TUBES, Semiconductors, RECEIVERS, VAC. VARIABLES, Test Equipment, ETC. Write or call Now! Barry, W2LNI. We Buy! We ship all over the World. Thousands of unadvertised specials. F.O.B. point of shipment.

Send for Green Sheet Supplement 23. Send 50¢ postage & handling (refund 1st order).

BARRY 512 Broadway NY, NY 10012
 DEPT. H-3
212-WA-5-7000 **ELECTRONICS**
 TELEX 12-7670

WHEN YOU BUY KENWOOD ...YOU BUY PRIDE, PLEASURE & PERFORMANCE

Pride in knowing that you own today's ultimate in state-of-the-art technology . . . pleasure in operating a rig whose day in, day out performance will show you why the Kenwood name is world-famous for reliability and value.

Kenwood's superb
state-of-the-art SSB transceiver

TS-900



. . . the ultimate transceiver. The promise of the transistor has been fulfilled. Here is the transceiver you will want to own . . . whatever you have now, at ready to trade up. Its important features are far

too numerous to list. Its specifications are superb. The TS-900 is unquestionably the best transceiver of its kind ever offered. The price . . . \$795.00 PS-900 (AC Supply) \$120.00, the DS-900 \$140.00



TS-520

Kenwood's go every place . . . do everything transceiver

The new TS-520 is the transceiver you have wanted, but could not buy until now. It is a non-compromise, do everything, go everywhere 5 band transceiver for SSB or CW that performs equally well at home, in an automobile, airplane, boat or trailer. The TS-520 features built-in AC power supply, built-in 12 volt DC power supply, built-in VOX with adjustable gain delay and anti-VOX.

The price . . . \$599.00

**Kenwood's
winning
pair**

The R-599A is the most complete receiver ever offered. It is solid state, superbly reliable, small and lightweight, covers the full amateur band . . . 10 thru 160 meters, CW, LSB, USB, AM, AM-N and FM.

The price . . . \$439.00

The T-599A is mostly solid state . . . only 3 tubes, has built-in power supply, full metering (ALC, Ip, RF output &

high voltage), CW-LSB-USB-AM operation.

The price . . . \$459.00



R-599A Receiver



T-599A Transmitter

Please call or write for complete specifications. Also available at Kenwood dealers throughout the U.S.

Henry Radio

11240 W. Olympic Blvd., Los Angeles, Calif. 90064 213/477-6701
931 N. Euclid, Anaheim, Calif. 92801 714/772-9200
Butler, Missouri 64730 816/679-3127

Prices subject to change without notice.

EIMAC

The DX Champion.

In contest after contest, contact after contact, you'll hear the EIMAC-equipped stations come out on top. Join the elite operators who choose EIMAC for power, dependability and quality. You'll be in good company.

For technical information on EIMAC products, contact the EIMAC Division of Varian, 301 Industrial Way, San Carlos, California 94070. Or any of the more than 30 Varian/EIMAC Electron Tube and Device Group Sales Offices throughout the world.

