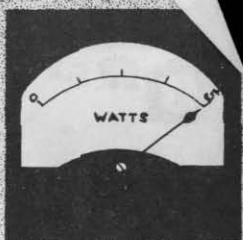


QRP QUARTERLY



Journal of the QRP Amateur Radio Club International. October 1982. Vol. XX, No. 4

THOM DAVIS, K8IF, STEPS DOWN AS QRP ARCI PRESIDENT IN SURPRISE MOVE; VICE PRESIDENT ED POPP, K5BOT, IS NEW PRESIDENT AND BOARD CHAIRMAN

DAVIS CITES PERSONAL REASONS
IN RESIGNING JOB HELD YEARS

by T. W. Davis K8IF

This issue of QRP Quarterly marks the 21st anniversary of QRP ARCI. With this issue brings some good news and some bad news. Let's start with the good news first.

Recently we received an application from Vibroplex along with an interesting letter. Vibroplex requested membership feedback regarding possible ideas for a new QRP CW rig in this letter. Here's a good opportunity for club members to express their thoughts on what they would like to see in such a rig! We hope you will take this opportunity and respond. Rather than create a questionnaire on this, we would like you to simply jot down your ideas on what YOU think desirable in such a rig; eg. what bands, receiver/transmitter features, options, size, etc. Send it to K5BOT by Nov. 30th.

The Technical Achievement Award is up for grabs! Elsewhere in QRP Quarterly you will find a ballot including article titles, authors, and issue dates. Glance upon back issues from Jan. to Oct. '82 and make your choice. Send it to WD4LOO by Nov. 30th.

Autumn has returned and its Contest and Activity Period time again. That is good news, especially because of the small turn-outs in our monthly "Mini-Tests" - perhaps these will also pick-up. Again, the "Mini-Tests" are held the first Sunday of each month. The operating schedule in UTC is;

Start - 7Mhz	1500-1600,	1900-2000,
	2300-2400	
14Mhz	1600-1700,	2000-2100
	2400-0100	
21Mhz	1700-1800,	2100-2200
28Mhz	1800-1900,	2200-2300
Finish - 3.5Mhz	0100-0300	

POPP PROMISES CONTINUATION
OF ACTIVE CLUB LEADERSHIP

by Ed Popp, K5BOT

As you have just read, Thom Davis, K8IF, has stepped down as President for the reasons he indicated.

Those that have been with the club these 3½ years, have seen many changes which have greatly improved the club. Improvements in the Quarterly, the power level reduced to 5 watts out, more nets, and getting WQF off the ground to name just a few. His many hours of work has made the club a leader in QRP. Thom's hand on the helm will be sorely missed.

But let us not forget that this is your club. You the membership. The Officers and Directors work for you. Each one volunteers his time and efforts for the club. Without your input, the club is almost nothing.

There are several ways in which you can make your club continue to be the leader in QRP.

- First...Support your club in its various activities, nets, contests, etc.
- Second...Send articles and information to the editor to be published in the Quarterly.
- Third...When you are on the air, let people know that you are a member.
- Fourth...Cast your vote when ballots are published and
- Fifth...Provide input to your Directors and Officers. After all this is your club.

I also wish to thank those that have called, written and QSOed to me their support. I look forward to working with the Directors and Officers in maintaining the high standards of the Club.



QRP Quarterly is the official journal of the QRP Amateur Radio Club, International, Inc., and is published four times a year, in January, April, July and October. The QRP ARCI is a non-profit amateur radio organization dedicated to increasing world-wide enjoyment of QRP operation and experimentation (QRP, as defined by the Club, is 5 Watts output CW, 10 Watts output PEP). Current Club membership is 5,180, and QRP Quarterly circulation

is 685. The initial membership fee of \$6.00 (\$7.00 for DX applicants) covers lifetime membership plus the first four issues of the Quarterly. Membership information is available from the Secretary/Treasurer. Subscription renewals are \$5.00 (\$6.00 for DX subscribers) for four issues. The expiration notice appears in red (rubber stamped) on the mailing cover of the final issue, and also on the mailing label following the QRP number: i.e. 4174-4/81 means that member 4174's subscription expires with the October (4th quarter) issue of 1981. Renewals must be received by the Secretary/Treasurer by the 15th day of the month prior to the month of publication for continuous service. Otherwise, renewal begins with the next issue. Send renewal notices, changes in address or call, to the Secretary/Treasurer. PLEASE MAKE ALL CHECKS OR MONEY ORDERS PAYABLE TO: QRP Amateur Radio Club International, Inc. PLEASE DO NOT SEND CASH. New members will receive their first issue following receipt of their application provided it is received at least 15 days prior to the month of publication. Otherwise, their subscription begins with the next issue. Please include QRP# & call on checks and money orders.

Letters to the Editor are welcome, but not every letter can be published. The Editor reserves the right to edit all letters to conform to space limitations. Those desiring a response from the Editor, officers or Directors should enclose a SASE with their letter. Construction projects or articles of general interest are always welcome. Manuscripts should be typed, double spaced, and all circuit diagrams should be drawn clearly and include all parts values. The Editor and the Club are not responsible for testing projects appearing in this publication. Please include name, call and phone number on all manuscripts prior to mailing to the Editor.

CLUB OFFICERS

President/Board Chairman

Edmund A. Popp - K5BOT
2212 Deadwood Drive
Austin, Texas 78744

Contest Chairman

William Dickerson - WA2JOC
230 Mill Street
Danville, PA 17821

Vice-President

Vacant

Awards Manager

William K. Harding - K4AHK
10923 Carters Oak Way
Burke, VA 22015

Secretary/Treasurer

Edwin R. Lappi - WD4LOO
203 Lynn Drive
Carrboro, NC 27510

QRP Quarterly Editor

Terry M. Gregg - KA5EXI
1145E Korina Ave.
Grand Forks AFB, ND 58205

Publicity

Frederick W. Bonavita - W5QJM
Box 12072, Capitol Station
Austin, Texas 78711

Legal Officer

Richard A. Crowell - W4WQW
803 Oak Plaza Road
Kingston, TN 37763

Please use this form, or a reasonable facsimile, to renew your subscription or report changes of address or call. Send this information to the Secretary/Treasurer.

() Renewal for ____ yrs. () Change of Address () Change of call

Amount enclosed \$ _____ QRP ARCI Number _____ Call _____

Name _____ New Call (If applicable) _____

Address _____

City _____ State/Province _____ Zip _____

Country (If DX subscription) _____

MEMBERSHIP PICKS 4 TO BOARD,
OKs LIFE TERM FOR FOUNDER

By Ed Lappi, WD4LOO
Secretary-Treasurer

Four new members have been elected and two re-elected to the QRP ARCI Board of Directors in voting that saw the club's first lifetime directorship bestowed on its founder, Harry E. Blomquist, K6JSS, by an overwhelming margin.

Harry received the honor in recognition of his service, guidance and dedication in the 21-year history of the club. He holds membership No. 1.

Well-known QRP'er Chris Page, G4BUE, becomes the first non-US ham to serve. Other new directors are Gary Beam, WA9WZV/4, net manager for TCN and SEN; Bill Harding, K4AHK, the club's awards chairman; and Bill Welsh, W6DDB, who edits a novice column for CQ magazine.

Re-elected to new terms were Red Reynolds, K5VOL, club net manager; Ed Lappi, WD4LOO, secretary-treasurer; and Val Valentine, K4JO.

As of Jan. 1, 1983, the board members, with expiration dates of their terms in parentheses, will be:

Ed Popp, K5BOT, chairman and club president (serves for term as president); Bill Dickerson, WA2JOC; Red Reynolds, K5VOL, and Fred Bonavita, W5QJM (all Dec. 31, 1984) Gary Beam, WA9WZV/4; Chris Page, G4BUE; and Jim Holmes, W6RCP (all Dec. 31, 1985) Val Valentine, K4JO; Bill Harding, K4AHK; Ed Lappi, WD4LOO; and Bill Welsh, W6DDB (all Dec. 31, 1986);

Harry Blomquist, K6JSS, for life; and Don McBride, WA3ZBJ, who will not be a candidate for re-election when his term expires March 31, 1983.

QRP BEACON FROM BRAZIL

PY2AMI, a 10-Watt beacon on 28.399 MHz, has been on the air since May 18, and its organizers are asking for signal reports via QSLs. The message is repeated each 20 sec. from a location at Americana City, about 80 miles from Sao Paulo. Send reports to: PY2AMI Beacon Project, P.O. Box 31, 13470-Americana-Sao Paulo, Brazil.

WQF REPORT:

THORNY ISSUE OF SSB POWER LID
AGAIN AIRED; NEW LEVEL SOUGHT

by Ed Popp, K5BOT

The WQF has a new chairman. He is Uli Eberhardt, DK9TZ. He succeeds Thom Davis, K8IF.

I would like to quote from the WQF Bulletin, the remarks made by Gus Taylor, G8PG/GW8PG, Secretary of WQF to Thom; "On behalf of all member organizations, I extend our sincere thanks to Thom, K8IF, our retiring Chairman. Only those who worked closely with him know how much time, effort and money from his own pocket Thom puts into the cause of International QRP. Long may your milliwatts reach out across the world."

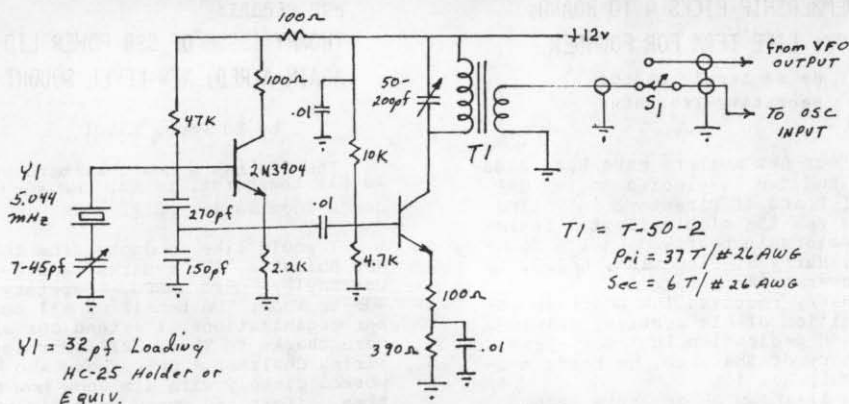
Nominations for Secretary of WQF are now being accepted. Gus Taylor, G8PG/GW8PG will have completed two years as Secretary and will retire at the end of this year. The position of Secretary is for two years, '83-'84.

Several members of the WQF have raised the question to change the SSB power level. Some clubs thought that the 10 watt pep output level was wrong on technical grounds and have asked that the limit be raised to 20w pep. Voting is currently taking place. The officers and directors of QRP ARCI were notified of this and a vote by the majority was sent in. It was for the 20w pep output. This in no way changes or effects the QRP ARCI power levels.

The DL AGCW/WQF Summer QRP Contest appears to have been a success. But there was some conflict regarding the rules. This was a result of two contest being held on the same weekend. In hopes of avoiding this situation in the future, a new date for the WQF contest is being looked into.

For those that are looking for Brazil QRP contacts, a good time is the 10th of each month. This is the day that they celebrate the founding of GRUPO QRP BRAZIL. Frequencies are; cw 3560, 7030, 14060, 21060, 28060 KHz; phone 3690, 7090, 14285, 21285, 28885 KHz.

During calendar year 1981, approx. 97% of all the bells heard in Minneapolis, MN were either real or imaginary.



MORE ON THE MAILBOX (MBX), PART 2, OR A ROCK-SOLID DELIVERY SYSTEM

(Being the second part of a two-part series by Thom Davis, K8IF)

Another consideration is to go crystal controlled. The following is a circuit I use with the OMNI which should work well with the Argonaut or Argosy. S1 selects VFO from XCVR or crystal oscillator. The oscillator input to XCVR goes to the center pole of S1, the VFO from XCVR goes to one leg of S1, and the Xtal osc. to the other leg. The circuit was breadboarded and put into a small aluminium chassis. The small cabinet sits atop the rig - no holes thru the OMNI!

The crystal is mixed to produce 7.043.00 Mhz transmit. ie. $(x_{tal} + 11 \text{ Mhz}) - 9 \text{ Mhz IF} = \text{transmit frequency}$. Spare phone connectors on the Argosy could be used for VFO in/out using miniature coax to connect VFO to phone connectors. After the circuit is connected to the rig, the crystal frequency is trimmed with the 7-45 pf capacitor to 7.043.00 Mhz. Allow the rig and oscillator about 2 hr warm-up before trimming.

The crystal frequency of 5.044 Mhz was chosen after first measuring the VFO frequency (5+mhz) to produce 7.043.00 on the OMNI. Due to slight differences in the IF frequency and frequency of the mixing crystal, you may measure something other than 5.044 on your VFO. However, Y1 can be trimmed a few Khz with this circuit.

For those using transceivers with CW offset a work of caution. Due to a number of variables such

alignment, components and temperature etc, your 750 hz offset may not be 'on the money'. During our nets, on the MBX, and QSO's, I have observed a large number of QRP ers who rarely are close (or on) frequency. Assuming your automatic 750 hz offset is on the money, it is necessary for you to listen to 750 hz recovered audio on receive, otherwise you will be on some other frequency. et. + or = hz from zero beat.

For example, if your offset is 750 hz, and you listen to a 1,000 hz pitch on receive, you will be 250 hz off frequency. The mbx will not tolerate that kind of deviation! Aside from that, it is extremely helpful for QRP stations to be on frequency - eg. like crowded conditions.

For those owners of TEN-TEC gear, check the alignment of the SSB Generator Board - it's worth it!! Also, a sharp 750 hz audio filter is a valuable addition to your station, for finding that 750 hz pitch on receive. Good luck - cu on the MBX!!

(POPP, continued from Pg. 1):

Thom insured that the club is staffed by quality people. We the Officers and Directors are ready and willing to serve you the members of QRP ARCI. CU on the air.

BATOR SAMBU, JT1BG/2, FROM MONGOLIA, QUALIFIES FOR KM/W CERTIFICATE,
K4KJP-W4EQR TWO-WAY QSO GOOD FOR 176,000 MILES PER WATT ON 2 METERS!

by Bill Harding, K4AHK
QRP ARCI Awards Manager

Each quarter brings a number of interesting award applications. Awards were issued to QRPers in six countries during the last three months.

Bator Sambu, JT1BG/2, from Mongolia qualified for both W.A.C. and KM/W. For those of you who subscribe to CQ Magazine, his picture may be found on page 21 of the Sept. '82 issue.

In spite of all the noise I hear about license rates falling off, I am pleased to see that the newer hams are in there pitching for awards. It's always a pleasure to issue certificates to the newcomers.

Dan Sterner, KALIOV, is a ten year old Novice who qualified for the KM/W.

KA5NLY is another Novice who received a KM/W Certificate.

Michael Akiki, AD2Y, received QRP-DXCC #52C. A letter from Ade Weiss stated that teenager Michael is the youngest winner of Ade's DXCC QRPp trophy.

The KM/W Distance Champ of the quarter is again Terry Young, K4KJP. Terry qualified with 176,000 miles/watt on 2 meter SSB running 250 microwatts output. In second place is G3VTT with 100,730 miles/watt on 20 meter CW running 100 milliwatts. Another UHFer, N1AIS, received endorsement #4 for KM/W on 70 centimeters. He was running 75 milliwatts output.

Only two new QRP-NET awards were issued this quarter. The NET certificate is one of the better looking ones that we have. If you have qualified but not yet applied to me, please do so. Check out Red Reynolds' Net News elsewhere in the Quarterly to see if you are qualified.

A number of you have written asking if special forms are required for award applications. The answer is NO. Just be sure that the info required by the rules is complete. The only problems that I have had processing award applications have been for the KM/W. Some people are still sending in applications with power INput specified. Remember that ALL awards are now based on rf power OUTput. Also, if you live in

a small town, please give me the name of the nearest large city and you approximate location in relation to it. It's very difficult to figure out the mileage if I can't locate your exact QTH!

Certificates are mailed in 9" x 12" envelopes so S.A.S.E.s are not required with your application. If you send QSLs, however, I would appreciate postage to cover their return. (Xerox copies of QSLs do just as well and are cheaper for you to mail.)

A copy of the Awards Rules is available free for a S.A.S.E. My address is inside the front cover of the Quarterly.

AN INVITATION

by Bill Harding, K4AHK

In the Club Awards Update column elsewhere in this issue I stated that there had been only two new QRP-NET certificates issued in the last quarter. Net activity has been falling off for the last few months. I'm sure that a lot of us have had other things to do during the summer months, BUT, the cool weather is about to arrive.

The Southeast 40 meter net would like to have YOU join in the fun that the nets can provide. The name 'Southeast' is a bit misleading. ONI's have come from most states east of the Mississippi so if you live anywhere on the eastern side of the U.S. and can work 40 meters, please give us a call.

The SEN meets every Tuesday night at 9:00 PM EDT (Wed.-0100 UTC). When the time changes, we will meet at 8:00 PM EST (still Wed.-0100 UTC). The frequency is 7.030 MHz - below the regular QRP spot in order to get rid of broadcast QRM.

Gary Beam, WA9WZV/4, is NCS on the first and third Tuesdays. I am NCS on the second and fourth Tuesdays and Ed Lappi fills in on months which have a fifth Tuesday. Gary is in Florida, Ed is in N.C. and I am in Virginia. Depending on the conditions, there may be times when you won't be able to hear one or the other of us. Don't despair, try again the next week!

Spend a little time with us and win yourself a handsome QRP-NET certificate and some new QRP numbers for your QRP-25 award.

- DXCC -

CALL	DATE	BASIC	ENDORS. - MILES/WATT - NOTES	POWER	MODE	BAND
N4BP	6-13-82	51C	ALL SOLAR #1	5.0	MIX	MIX
AD2Y	7-24-82	52C	(SEE ARTICLE)	2.0	MIX	MIX
WBØURA	7-24-82	53C		5.0	MIX	MIX
- W.A.C. -						
WB4BBH	6-14-82	419C	ONE BAND	5.0	MIX	15m
AD2Y	7-24-82	420C	ONE MODE	2.0	SSB	MIX
WBØURA	7-24-82	421C	ONE MODE	5.0	CW	MIX
WB2IPX	7-24-82	422C		3.0	MIX	MIX
JT1BG/JT2	7-31-82	423C	ONE BAND, ONE MODE	5.0	SSB	20m
WD5GLO	8- 8-82	424C		3.0	MIX	MIX
- W.A.S. -						
WBØURA	6-14-82	176C	50 STATES	MIX	MIX	MIX
N4FLC	6-26-82	172C	30 STATE SEAL	2.0	CW	MIX
NØBYC	6-26-82	177C	50 STATES, ONE MODE	5.0	CW	MIX
NØBYC	6-26-82	178C	30 STATES, ONE MODE	10.PEP	SSB	MIX
NØBYC	6-26-82	179C	30 STATES, 2-WAY QRP	5.0	MIX	MIX
NØBYC	6-26-82	180C	20 STATES, ONE BAND	5.0	MIX	80m
NØBYC	6-26-82	181C	40 STATES, ONE BAND	5.0	MIX	40m
NØBYC	6-26-82	182C	20 STATES, ONE BAND	5.0	MIX	20m
NØBYC	6-26-82	183C	40 STATES, ONE BAND	5.0	MIX	15m
NØBYC	6-26-82	184C	30 STATES, ONE BAND	5.0	MIX	10m
KA2KMU	7-24-82	173C	40 STATE SEAL	2.0	CW	MIX
KAØFDL	7-24-82	157C	30 & 40 STATE SEALS	2.PEP	SSB	MIX
WB2IPX	7-24-82	185C	50 STATES	3.0	MIX	MIX
AD1C	7-31-82	186C	50 STATES	2.0	CW	MIX
N1AIS	8- 8-82	187C	50 STATES, ONE MODE & BAND	3.5	SSB	10m
WA6KGB	8-13-82	22B	50 STATE SEAL		SSB	
KG1K	8-30-82	188C	20 STATES, ONE MODE	2.0	CW	MIX
- NET -						
WA9WZV/4	7-24-82	5	TCSN SEAL		SSB	
K4AHK	7-31-82	3	TCSN SEAL		SSB	
W5QJM	8- 8-82	10	GSN CERTIFICATE		CW	
WB1ESN	8-30-82	11	NEN CERTIFICATE		CW	
- QRP-25 -						
K4AHK	8-14-82	936	200 SEAL #99			
KAØFDL	8-30-82	944	BASIC 25 CERTIFICATE			
- 1000-MILE-PER-WATT -						
WD4LOO	6-13-82	736	TO VK3KS 10,534 M/W	.95	CW 582	15m 251
WB4BBH	6-13-82	737	TO VK4VU 3,667 M/W	2.5	SSB 108	15m 252
WB4BBH	6-13-82	738	TO JR2LFW 1,515 M/W	5.0	CW 583	15m 253
KA5NLY	6-24-82	739	TO VK5NPS <u>NOVICE</u> 3,485 M/W	2.75	CW 584	15m 254
WB3HNK	7- 1-82	740	TO VP8ML 2,153 M/W	3.0	SSB 109	10m 127
G4NNJ	7-21-82	741	TO OH6FW 1,476 M/W	.85	CW 585	15m 255
VK5NPS	7-21-82	742	FROM KA5NLY 3,485 M/W	2.75	CW 586	15m 256
WB2IPX	7-30-82	743	TO UAØCED 2,498 M/W	2.0	CW 587	10m 128
N5AE	7-30-82	744	TO VK4UR 2,826 M/W	2.9	CW 588	20m 182
W6YVK	7-30-82	745	TO 3B8CF 4,501 M/W	2.5	SSB 110	10m 129
JT1BG/JT2	7-31-82	746	TO LU1DGZ 2,271 M/W	5.0	SSB 111	20m 183
G3VTT	7-31-82	747	TO VK5QG 100,730 M/W	.10	CW 589	20m 184
KA80BP	7-31-82	748	TO KA6SIQ <u>2-WAY QRP</u> 1,030 M/W	2.0	CW 590	15m 275
DF50Q	7-31-82	749	TO N5ALS 1,048 M/W	5.0	CW 591	10m 130
N1AIS	8- 8-82	750	TO W5PI 22,334 M/W	.088	SSB 112	10m 131
N1AIS	8- 8-82	751	TO N2CJP/4 19,176 M/W	.025	SSB 113	2m 8
N1AIS	8- 8-82	752	TO W1BJ 2,787 M/W	.075	CW 592	70cm 4
K4KJP	8-13-82	753	TO I71XR 2,537 M/W	2.2	CW 593	10m 132
W4MNZ	8-30-82	754	TO ZK1AA <u>2-WAY QRP</u> 1,224 M/W	5.0	SSB 114	6m 17
KA7KLH	8-30-82	755	TO JM1JIV 2,547 M/W	2.0	CW 594	15m 258
KA11OV	8-30-82	756	TO EA1BTE <u>NOVICE</u> 1,602 M/W	2.0	CW 595	15m 259
K4KJP	8-30-82	757	TO W4EQR 176,000 M/W	250uW	SSB 115	2m 9
			(DISTANCE CHAMP FOR THIS QTR.)			
JR1TXR	8-30-82	758	TO LA3UL 4,505 M/W	2.0	CW 596	15m 260
JF2MBW	8-30-82	759	TO JR6RWX 3,208 M/W	.25	CW 597	6m 18

ANNUAL FALL C.W. QSO PARTY SET WEEKEND OF OCT. 16-17

By Bill Dickerson, WA2JOC
Contest Chairman

QRP ARCI's annual Fall QSO Party will be held Oct. 16-17, with a heavy turnout expected by club contest chairman Bill Dickerson, WA2-JOC.

The c.w.-only event counts toward the club's Triple Crowns of QRP Awards, which were announced in the January issue of The Quarterly.

Bill reminds club members he has a new address to which entries are to be sent, and it's listed at the bottom here as well as on Pg. 2 of The Quarterly.

Here are the rules:

DATES: 1200 UTC Saturday, Oct. 16, 1982, to 2400 UTC Sunday, Oct. 17, 1982. Participants may operate a maximum of 24 hours.

EXCHANGES: Members give RST/state/province/country and QRP membership number. Non-members give RST, state/province/country and power output.

MULTIPLIERS:

4-5 watts output x 2

3-4 watts output x 4

2-3 watts output x 6

1-2 watts output x 8

Less than 1 watt output x 10

More than 5 watt-output entries counted as check logs only.

BONUS MULTIPLIERS: If 100% natural power (solar, wind, etc.) with no storage, x 2. If 100% battery power, x 1½.

SCORING: QSO points (total of all bands) times total number of states/provinces/countries (a state, province or country may be worked on more than one band) times power multiplier times bonus multiplier (if any) equals claimed score. Send large s.a.s.e. or IRCs to contest chairman for scoring summary sheet in advance of contest.

SUGGESTED FREQUENCIES: 1810, 3560, 7040, 14060, 21060, 28060 & 50360 kHz, all +/- to clear interference. Any VHF/UHF contacts must be direct; no through-repeater contacts. Novice and technician frequencies: 3710, 7110, 21110 & 28110 kHz.

CALLING METHOD: CQ CQ QRP de (call sign).

AWARDS: Certificates to the highest-scoring station in each state/province/country with two or more entries. All entries automatically considered for Triple Crowns of QRP Award.

LOGS: Suggest use of separate log sheets for each band for ease in scoring. Send full log data plus separate worksheet showing details and time(s) off the air. No logs will be returned. Entrants desiring

NET CATALOGUE

By RED REYNOLDS, K5VOL
QRP ARCI Net Director

The following is the latest listing of QRP ARCI Nets.

Regional nets are the Southeast Net (SEN), Great Lakes Net (GLN), Gulf States Net (GSN), Northeast Net (NEN), Cactus Country Net (CCN), Southwest Net (SWN) and Southwest Novice Net (SWNN). (Note: the SWNN is W6-based). The Transcontinental CW Net (TCN) is the only major national net.

Nets are listed by day and corresponding UTC:

Day	Time	Freq.	Net	NCS
Sun	0100Z (Mon)	14060	TCN	WA9WZV/4
Tue	0100Z (Wed)	7030	SEN	WD4LOO/ WA9WZV/4
Wed	0200Z (Thu)	7040 ¹	GLN	K5VOL
	" "	3560 ²	"	"
	" "	7040 ¹	GSN	K5BOT
	" "	3560 ²	"	"
	" "	7040 ³	CCN	KC7IG
	0400Z "	3710 ²	SWNN	KG6JII
Sat	1200Z	7040 ¹	NEN	WB2IVX
	1300Z	7040 ²	"	"
	1500Z	3560 ³	GLN	N8CDP
	1600Z	7040	SWN	W6RCP
	"	7110 ¹	SWNN	KG6JII

1. Net freq. during Daylight Time months.
2. Net freq. during Standard Time months.
3. Tentative - Check NCS

All nets are informal roundtables and are open to check-ins, regardless of power and/or affiliation.

results and scores, please send a large s.a.s.e with 1 ounce of US postage or IRCs. It is a condition of entry that the decision of the QRP ARCI contest chairman is final in case of dispute.

DEADLINE:

DEADLINE: All entries must be received by Nov, 20, 1982. Logs received after that date or missing information will be used for checks. Send logs and scoring data to:

Bill Dickerson, WA2JOC/3
230 Mill Street
Danville, Pennsylvania 17821

DEADLINE: All entries must be received by Nov. 20, 1982. Logs received after that date or missing information will be used for checks. Send logs and scoring data to:

Bill Dickerson, WA2JOC/3
230 Mill Street
Danville, Pennsylvania 17821

LEAGUE LOOKS LIKELY TO LAUD LOW-POWER, LONG-DISTANCE LUMINARIES' LEGENDARY LOGS; CAREFULLY CONSIDERING CELEBRATED CERTIFICATE COMMENDING CENTURY-COUNTRY CONTACTS

ARRL is considering a special QRP DXCC certificate and will be looking for public comment on the proposal soon.

Tucked into the minutes of the board's annual meeting in Cedar Rapids in July was an almost-overlooked motion calling for the study of the idea (see QST, September 1982, Pg. 54, Motion 101).

The League's DX Advisory Committee was ordered by a unanimous board to "study the desirability and level of interest in creating a QRP non-endorsable DXCC award and report back to the board on the matter at its annual meeting in 1983." No further details of the League's plans for this study were revealed.

The motion was made by Gay E. Milius, W4RH, of Virginia Beach, VA., the Roanoke Division director and seconded by Ray Wangler, W5EBZ, of San Antonio, Texas the West Gulf Division director, QRP ARCI Awards Chairman Bill Harding, K4AHK, who brought this to our attention after talking in mid-September with Milius at a Maryland hamfest, says the League official is nearing the century mark of DX stations worked with 900 milliwatts.

QRP ARCI President Ed Popp, K5BOT, said the situation will be monitored carefully and the membership kept well informed. The Club's board of directors will consider a resolution formally backing the idea, once it is known what direction the advisory committee is taking in response to the League board's order. QRP ARCI also will make supporting data and information available to the committee. Finally, the Club's leadership will keep in close touch with Director Wangler, who has encouraged QRP activities in the past.

Watch the next issue of the Quarterly for more information on this project. We hope to have the names and addresses of persons who should be written.

It is not without significance that the League board's next meeting is in October 1983 at its national convention in Houston -- a convention at which there will be a QRP Forum and other activities.

When does your license expire?
If in doubt, whup it out -- and
check it!

VIBROPLEX BUGGED! PLANS QRP RIG

Vibroplex Co., Inc. is considering the possibility of producing a multi-band, portable QRP transceiver.

What makes this of interest to us is that they have asked QRP ARCI for information and suggestions in the design of this transceiver.

If you could determine the design, and you can, what would it be? CW only? Multi-mode? Built-in filters? Cost? Size? Etc.

Send your comments and suggestions to K5BOT, address on the front cover, by 30 November 1982. These will then be forwarded to Vibroplex Co.

(DAVIS, continued from Pg. 1):

That leaves us with the bad news. As of Sept. 1st, I have passed on the Presidents hat to K5BOT, and this will be my final column. Unfortunately, over the last year, my available time for club presidential duties has decreased. This is primarily due to my employment situation, and to some extent, at home as well. I had hoped that by juggling some additional club work and activities (ie. nets) that a balance was feasible - however it was not. Therefore, it is only fair to myself, and the club, that I step down.

Being President for over 3½ years has been, for the most part, rewarding and challenging. Yes, there have been headaches as well, but those had passed in time. I would like to thank all of those members who had assisted me in directing the club by writing me or answering questionnaires and ballots. Interested club members helped to make it all worthwhile.

The QRP ARCI is well staffed and financially sound. However, there are goals still left to be achieved. But with membership interest, and concern, I believe these goals are attainable. Please support K5BOT as President and help him as you have helped me. Also, continue to support the Editor and Officers/Board, as well as our Contests. Hope to work you either Oct. 16-17 or Nov. 14th Activity period. Until then...

QRP FORUM FINE FOR MID-WINTER

By Fred Bonavita, W5QJM

Publicity

Looking for a good mid-winter activity and/or program to spur interest in QRP and net a few new members for the club?

Try a locally produced forum.

The Austin, Texas, gang staged a one-day event last winter that attracted 30 hams from as far away as Houston, San Antonio and Dallas for a day of idea exchanges, technical programs and some old fashioned Texas Hill Country barbeque. Plans are under way for a second outing early next year.

Find a Saturday on which there is no competing football game of a local nature, no hamfest or swapfest, no major contest (we blew it in this category by setting it for the same weekend as a major DX contest) or other conflicts that will vie for the interest of prospective attendees.

Comb the roster of hams with an expertise in some field not traditionally addressed in technical sessions. For instance, Dave Evans, K5SOR, held everyone's attention for the better part of an hour with a discussion of alternate-energy sources (solar, wind, etc.) for powering QRP gear; Ed Manuel, N5EM, talked on VHF QRP; and so on. Maybe a local QRP'er is active on 160 meters, for instance.

Once your program is set -- try for three to four speakers at the most -- begin publicizing the event well in advance. (Be sure to pin down a place to hold it first, however.) The Austin gang sent news releases to the editors of the various club bulletins in cities in a two-hour drive of Austin, and the forum received widespread publicity that way. Other announcements went to ham radio equipment dealers in nearby cities with a request the notices be posted on their bulletin boards. (Be sure notices contain all information about the event as well as a name and telephone number to call.)

The Austin gang elected not to hold a swapfest in conjunction with the forum on the theory it would detract from the purpose of the event and might attract those interested only in horse-trading. However, your local conditions might allow a little swapping, even from the trunks of cars.

One objective of the Austin forum was to keep costs at an absolute minimum, so there was no admission charge or other fees. Organizers

THE TECHNICAL ACHIEVEMENT AWARD

Contained on the last page of this issue, is the ballot for the Technical Achievement Award. This is a listing of the technical articles that have appeared since January 1982 including this issue.

You the membership will decide who is to receive this award. You are the judge. The winner will be announced in the January issue of the Quarterly and receive a plaque.

If you would like to be eligible for this award, you must submit a technical article to the Quarterly. The award is in recognition of outstanding, exceptional, inspirational, unique technical articles or noteworthy material in the technological interest of amateur radio or QRP ARCI.

provided coffee and soft drinks. All meals were up to the individual as to how much and what was eaten. The forum was held in an area where several restaurants and cafeterias were available. There also was a choice of fast-food emporiums. The speakers, however, were given their choice of meals -- lunch or supper -- that was to be on the house. The theory here was that if the person was willing to contribute to the success of the occasion, it should be rewarded, especially since one speaker drove 165 miles. Again, the cost was borne by the organizers in the interest of attracting the good group of speakers we got.

Count on about an hour for each topic, with a question-and-answer period at the end. Provide a chalk board or other means of illustrating a talk, including a slide projector if needed. Keep to the schedule as much as possible and end things on time so those who have to drive distances can get an early start.

The Austin forum concluded with an "attitude-readjustment hour" at a nearby watering hole followed by the well-attended barbeque meal at a rural emporium well known for its brisket, ribs and sausage. Again, all events were optional.

One final suggestion: Don't limit yourself to active QRPers in extending invitations to the forum, either as speakers or audience. Go after those hams who might find a whole new world in low-power operating or who, as speakers, have a few tricks up their sleeves that will make QRPing more enjoyable.

OFFICIAL BALLOT!

QRP ARCI FIRST-EVER TECHNICAL ACHIEVEMENT AWARD VOTE

Following is a list of technical articles which have appeared in The Quarterly in 1982, and you are urged to vote for your favorite.

Pick only one article and check the appropriate space. Send your ballot to Ed Lappi (address below) as soon as possible:

- | | | | |
|------------------------------|--------|---------------|-----|
| 1. Argosy Review | WA2JOC | Jan. 82 | () |
| 2. HW-8 Modifications | W9ZL | Jan. 82 | () |
| 3. RF-Sensed Antenna Switch | WB8VGE | Apr. 82 | () |
| 4. QRPp in the Mountains | N6HY | Apr. 82 | () |
| 5. 1000 Miles/Cubic Inch | N6HY | July 82 | () |
| 6. RTTY - QRP Style | WB8VGE | July 82 | () |
| 7. The Rockverter for 1.8MHz | W9SCH | July 82 | () |
| 8. Calibrator for Argonaut | WA2PJW | July 82 | () |
| 9. A Cheap Beam that Works | K5BOT | July 82 | () |
| 10. Slinking Around | W3AEC | July 82 | () |
| 11. MBX (Parts 1 and 2) | K8IF | July & Oct 82 | () |
| 12. _____ | _____ | _____ | () |
- (for write-in)

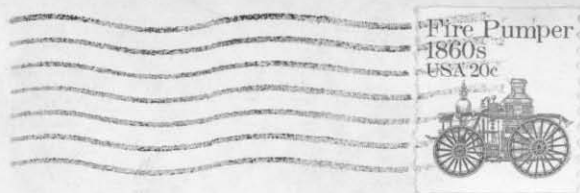
DEADLINE: Nov. 30, 1982

Send ballots to:

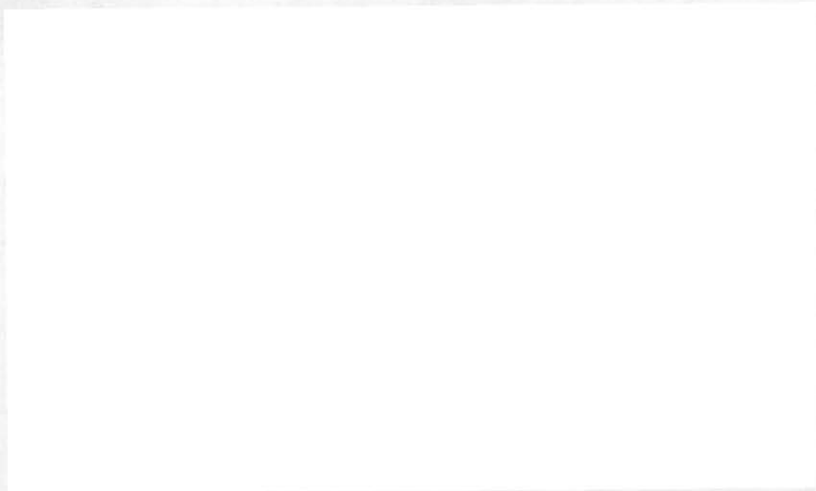
Edwin R. Lappi, WD4L00
 Secretary-treasurer, QRP ARCI
 203 Lynn Drive
 Carrboro, North Carolina 27510

AND REMEMBER: You could win the 1983 Technical Achievement Award, consisting of a plaque. Send your technical article(s) to the editor of The Quarterly (see Pg. 2 for address) and get in the running now.

THE QRP QUARTERLY
c/o MIKE GREGG, KA5EXI
1145E KORINA AVENUE
GRAND FORKS AFB, NORTH DAKOTA
58205 USA



FIRST CLASS MAIL



FALL C.W. QSO PARTY: Oct. 16-17